

PAGE 1/2

ISSUE 12-09-22

SERIE : SPnT

PART NUMBER : R574492320

## RF CHARACTERISTICS

Number of ways : 3  
Frequency range : 0 - 18 GHz  
Impedance : 50 Ohms

| Frequency (GHz)    | DC - 3  | 3 - 8   | 8 - 12.4 | 12.4 - 18 |
|--------------------|---------|---------|----------|-----------|
| VSWR max           | 1,20    | 1,30    | 1,40     | 1,50      |
| Insertion loss max | 0.20 dB | 0.30 dB | 0.40 dB  | 0.50 dB   |
| Isolation min      | 80 dB   | 70 dB   | 60 dB    | 60 dB     |
| Average power (*)  | 240 W   | 150 W   | 120 W    | 100 W     |

TERMINATION IMPEDANCE : 50 Ohms  
TERM. AVG. POWER AT 25° C : 1 W per termination / 3 W total power

## ELECTRICAL CHARACTERISTICS

Actuator : LATCHING  
Nominal current \*\* : 640 mA  
Actuator voltage (Vcc) : 12V (10.2 to 13V)  
Terminals : solder pins (250°C max. / 30 sec.)  
Indicator rating : 1 W / 30 V / 100 mA  
Self cut-off time : 40 ms < CT < 120 ms  
TTL inputs (E) - High level : 2.2 to 5.5 V / 800µA at 5.5 V  
- Low level : 0 to 0.8 V / 20µA at 0.8 V

## MECHANICAL CHARACTERISTICS

Connectors : SMA female per MIL-C 39012  
Life : 2 million cycles per position  
Switching Time\*\*\* : < 40 ms  
Construction : Splashproof  
Weight : < 250 g

## ENVIRONMENTAL CHARACTERISTICS

Operating temperature range : -40°C to +85°C  
Storage temperature range : -55°C to +85°C

(\* Average power at 25°C per RF Path)

(\*\* At 25° C ±10%)

(\*\*\* Nominal voltage ; 25° C)



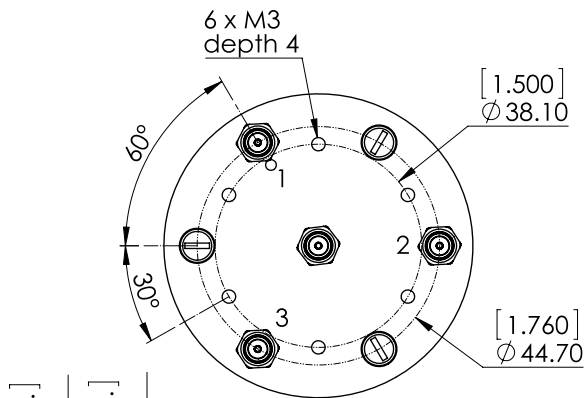
PAGE 2/2

ISSUE 12-09-22

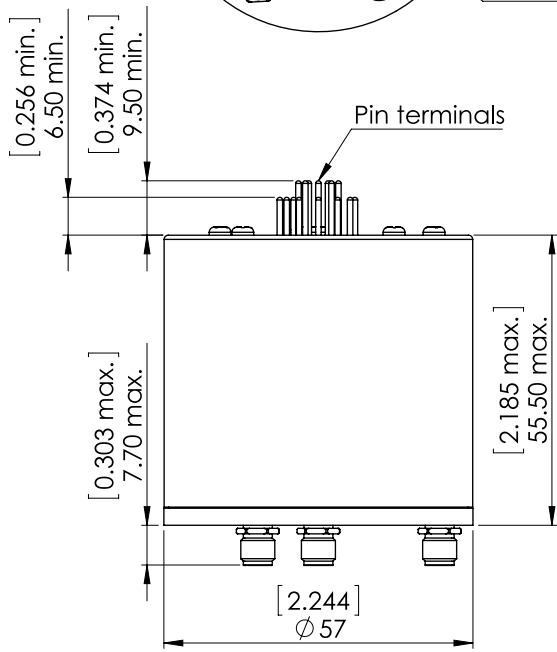
SERIE : SPnT

PART NUMBER : R574492320

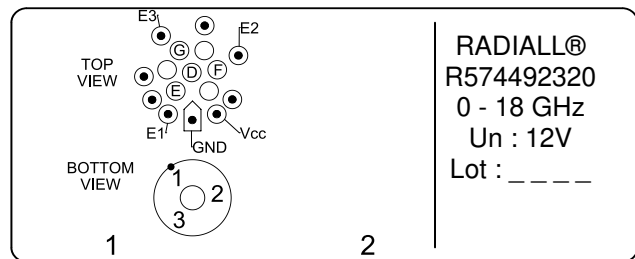
**DRAWING**



| TTL input | RF Continuity | Ind. |
|-----------|---------------|------|
| E1 = 1    | IN ↔ 1        | D.E  |
| E2 = 1    | IN ↔ 2        | D.F  |
| E3 = 1    | IN ↔ 3        | D.G  |



**LABEL**



General tolerances : ±0,5 mm [0,02 in]

**SCHEMATIC DIAGRAM**

