

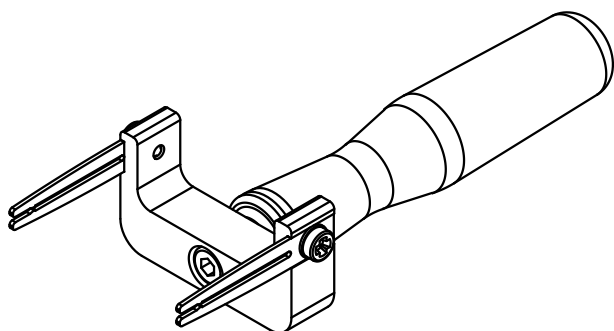
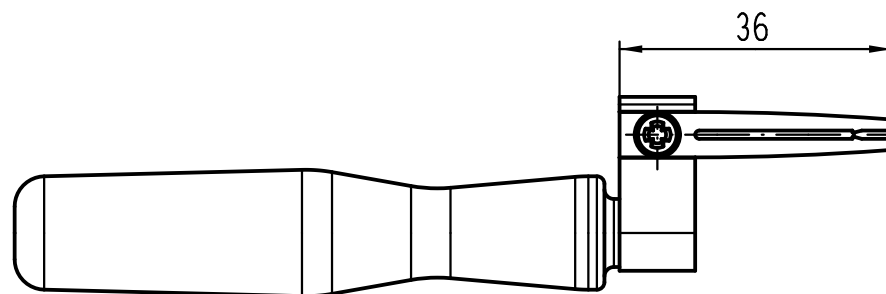
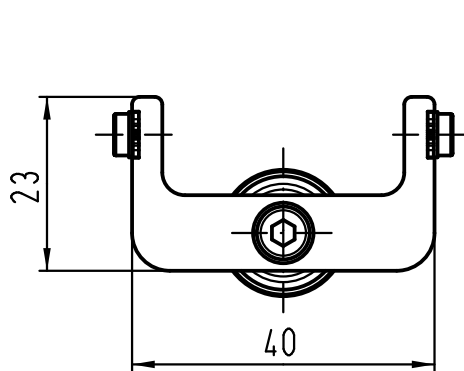
1 2 3 4 5 6



A

B

C

D



| | | | | | | | | |
|---|------|------|--------------------------------|----------|------|---|---|-------------|
|  All Dimensions in mm Original Size DIN A 4 | | | Techn. Character. | | | Nicht tolerierte Maße! Free size tolerances | | |
| | | | | Dat. | Name | Maßstab/Scale 1:1 | Entriegelungswerkzeug lang/ unlocking tool long Han-Yellock | |
| | | | Detail. | 15.08.11 | Ho | | | |
| | | | Insp. | | drie | | | |
| | | | Stand. | | | | | |
| A | | | HARTING Electric GmbH & Co. KG | | |  | TB 11 99 000 0002 | |
| Mod. | Dat. | Name | D-32339 Espelkamp | | | | | |
| | | | | | | | Sub. | Blatt/ page |