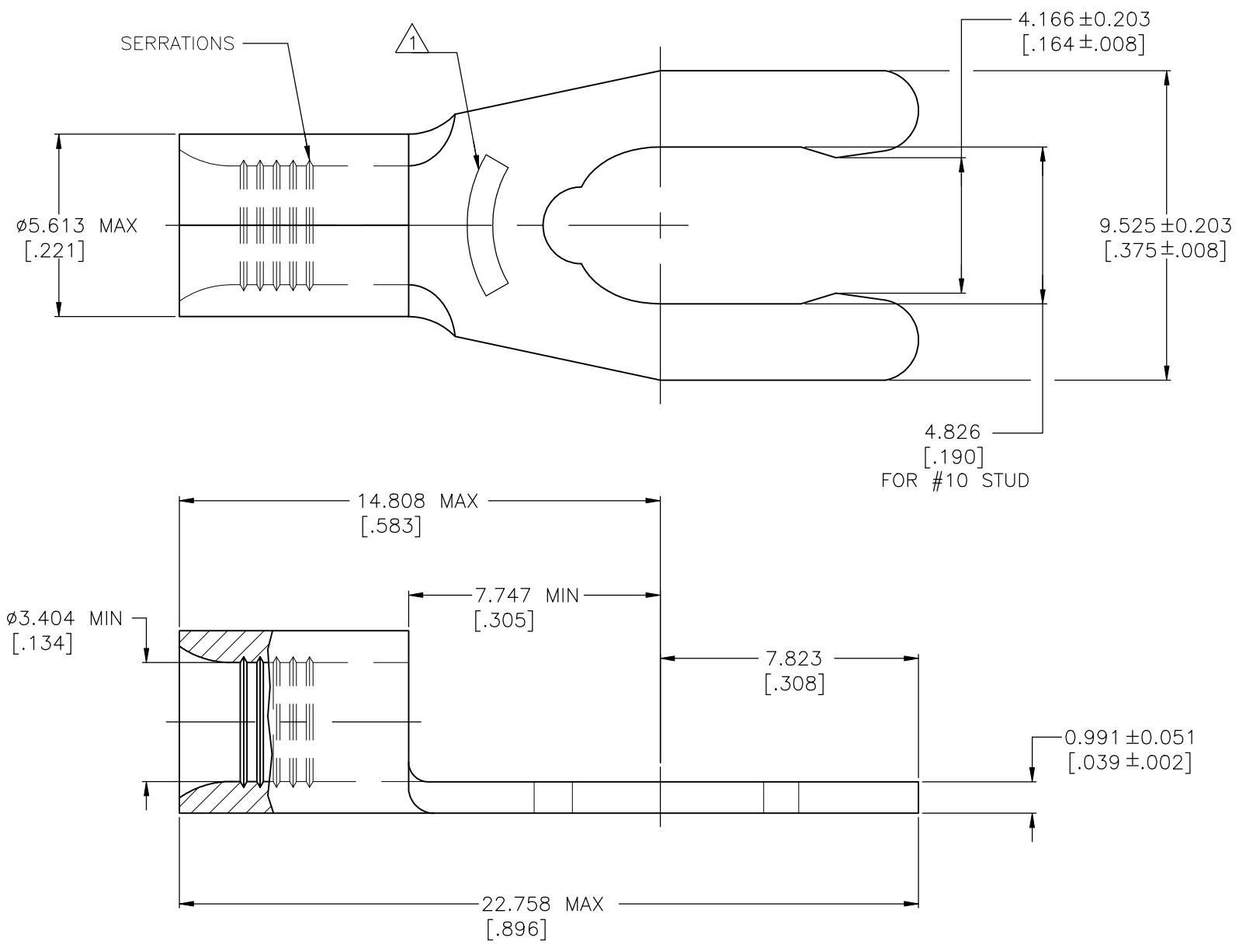


REVISIONS					
P	LTR	DESCRIPTION	DATE	DWN	APVD
A1		REV PER ECR 10-013673	29JUN10	JR	TM
A2		REVISED PER ECO-19-001048	23JAN2019	RS	DR



AMP WIRE RANGE	Listed FILE E13288	LR7189 Certified
12-10 AWG STRANDED	12-10 AWG STRANDED	NOT CERTIFIED

- △1 STAMP 10S AMP 12-10* APPROX AS SHOWN
10S INDICATES STUD SIZE
- △2 PHOSPHOR BRONZE PER ASTM B-103, ANNEALED
- △3 TIN PLATE 0.00254 [.000100] MIN PER ASTM B545

500	LOOSE PIECE	52708-1
QTY	PACKAGE TYPE	PART NO.

MAX RECOMMENDED OPERATING TEMPERATURE: 170°C[338°F] MAX VOLTAGE RATING: N/A CIRCULAR MIL AREA: 2.62-6.64mm²[5,180-13,100] STRANDED	THIS DRAWING IS A CONTROLLED DOCUMENT.		DWN TA BRINKMAN 2-16-93 CHK DA PATTERSON 2-16-93 APVD JI MECKLEY 2-16-93	TE Connectivity TERMINAL, LONG SPRING SPADE, BUDGET 12-10 AWG
	DIMENSIONS: mm [INCHES]	TOLERANCES UNLESS OTHERWISE SPECIFIED: 0 PLC ± - 1 PLC ± - 2 PLC ± - 3 PLC ± 0.127[.005] 4 PLC ± - ANGLES ± - FINISH - 3	PRODUCT SPEC - APPLICATION SPEC - WEIGHT -	
CUSTOMER DRAWING			SCALE 8:1	SHEET 1 OF 1 REV A2