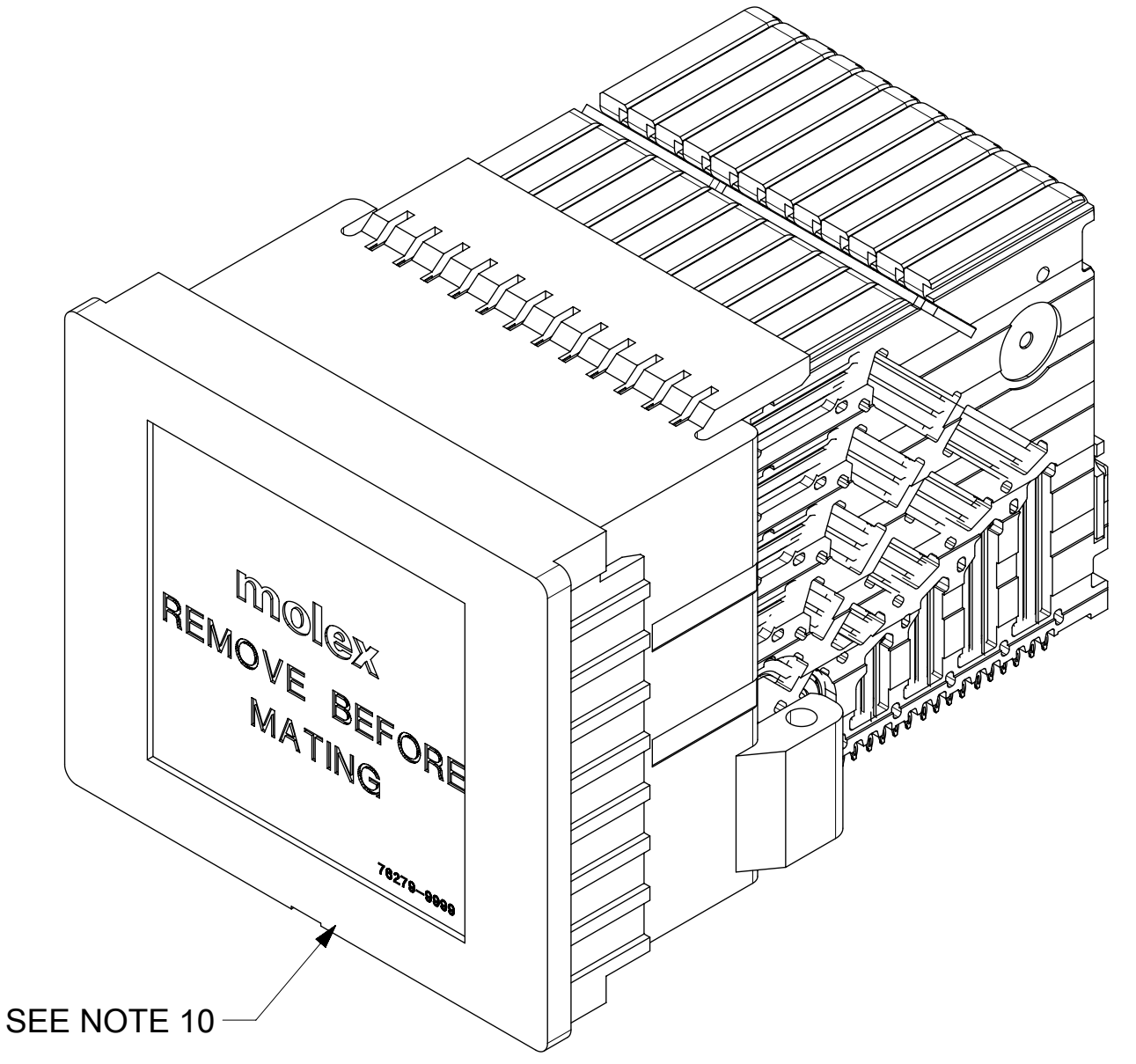
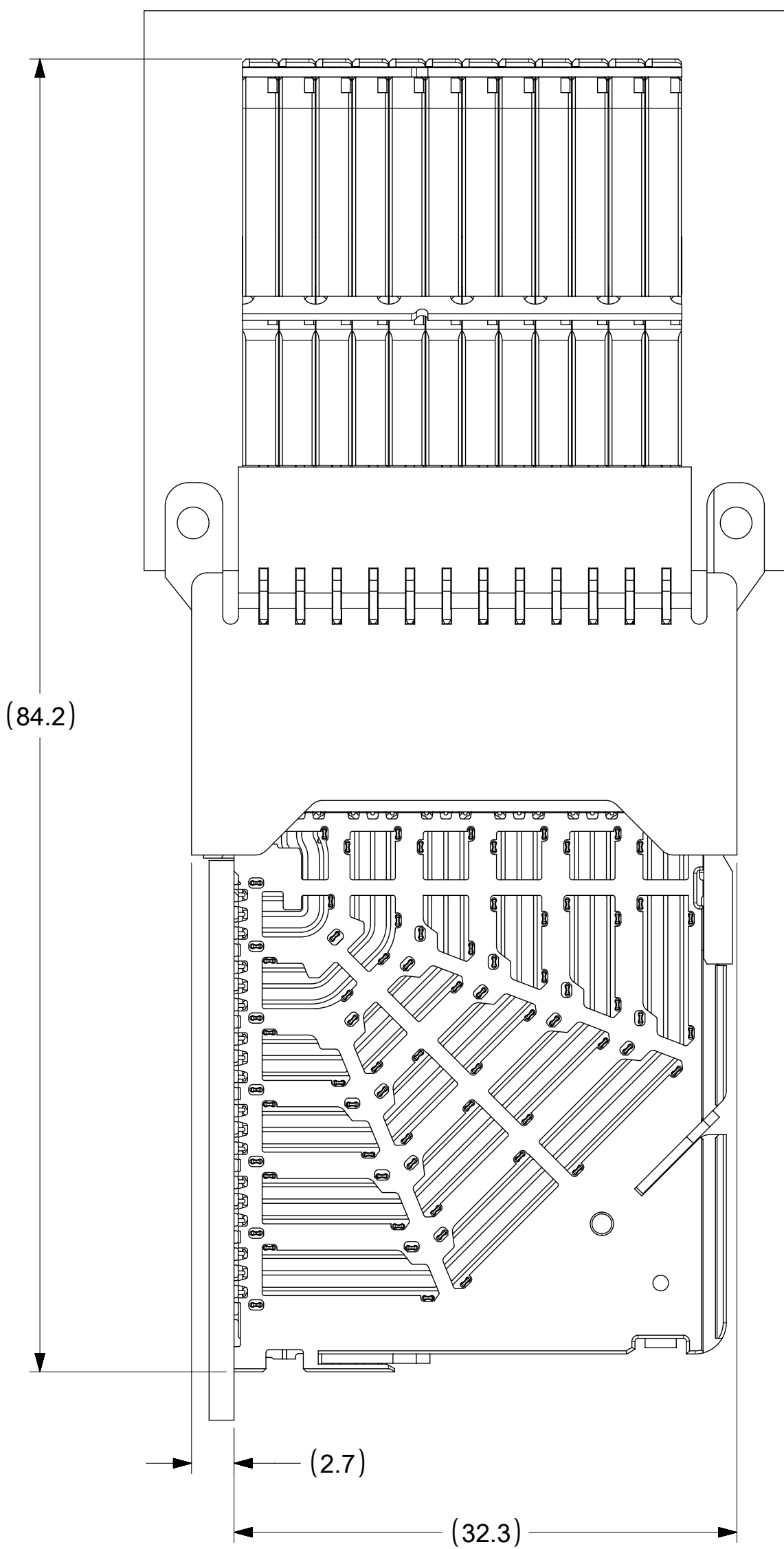


- NOTES:
1. MATERIALS: HOUSING - LIQUID CRYSTAL POLYMER (LCP) GLASS-FILLED, UL94V-0
TERMINALS - HIGH PERFORMANCE COPPER ALLOY
 2. FINISH: 30uIN GOLD IN CONTACT AREA.
SELECTIVE TIN ON PCB TAILS.
NICKEL OVERALL.
 3. REFER TO MOLEX PRODUCT SPECIFICATION PS-171320-999 FOR PERFORMANCE SPECIFICATIONS.
 4. THIS PART CONFORMS TO CLASS B REQUIREMENTS OF COSMETIC SPEC PS-45499-002.
 5. PRODUCT WILL BE PACKAGED PER PK-78888-309.
 6. SEE SHEETS 2 AND 3 FOR PCB LAYOUT AND ORTHOGONAL PIN MAPPING.
 7. MATES WITH IMPEL ORTHO DAUGHTERCARD SERIES NUMBER 171500 (UNGUIDED).
 8. REFER TO IMPEL PCB ROUTING GUIDE AS-171500-990 FOR ANTIPAD, ROUTING RECOMMENDATIONS, AND ADDITIONAL PCB INFORMATION.
 9. CONNECTORS ARE SUPPLIED WITH TWO 2-32 THREAD FORMING SCREWS.
 10. PLEASE REMOVE DUST COVER BEFORE MATING.

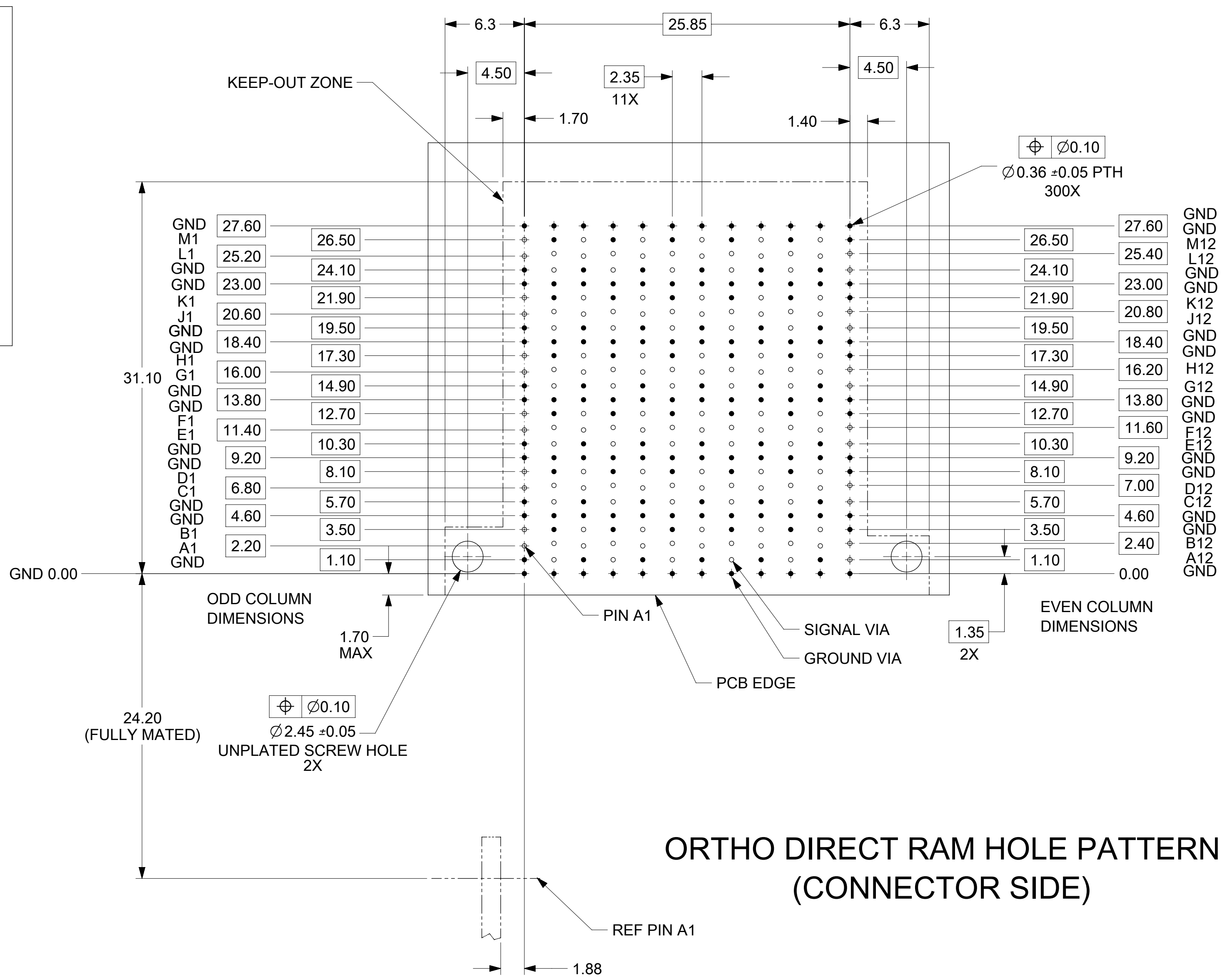


IMPEL 6P OD-RAM WITH DUST COVER

SYMBOLS										THIS DRAWING CONTAINS INFORMATION THAT IS PROPRIETARY TO MOLEX ELECTRONIC TECHNOLOGIES, LLC AND SHOULD NOT BE USED WITHOUT WRITTEN PERMISSION									
DIMENSION UNITS					SCALE					CURRENT REV DESC: ADD 1717409218									
= 0					3:1					<p>molex</p> <p>IMPEL ORTHOGONAL DIRECT 6 PAIR X 12 COLUMN RAM UNGUIDED SALES DRAWING</p> <p>PRODUCT CUSTOMER DRAWING</p> <p>DOCUMENT NUMBER: SD-171740-9004 DOC TYPE: PSD DOC PART: 001 REVISION: B1</p> <p>INITIAL REVISION:</p> <p>DRWN: DWLEE01 2016/03/04</p> <p>APPR: DWLEE01 2016/03/08</p> <p>MATERIAL NUMBER: SEE CHART CUSTOMER: GENERAL MARKET SHEET NUMBER: 1 OF 3</p>									
GENERAL TOLERANCES (UNLESS SPECIFIED)																			
ANGULAR TOL ± 0.5°																			
4 PLACES ±																			
3 PLACES ±																			
2 PLACES ± 0.13																			
1 PLACE ± 0.25																			
0 PLACES ±																			
DRAFT WHERE APPLICABLE MUST REMAIN WITHIN DIMENSIONS										THIRD ANGLE PROJECTION									
										DRAWING: C-SIZE SERIES: 171740									



MATED DIMENSIONS



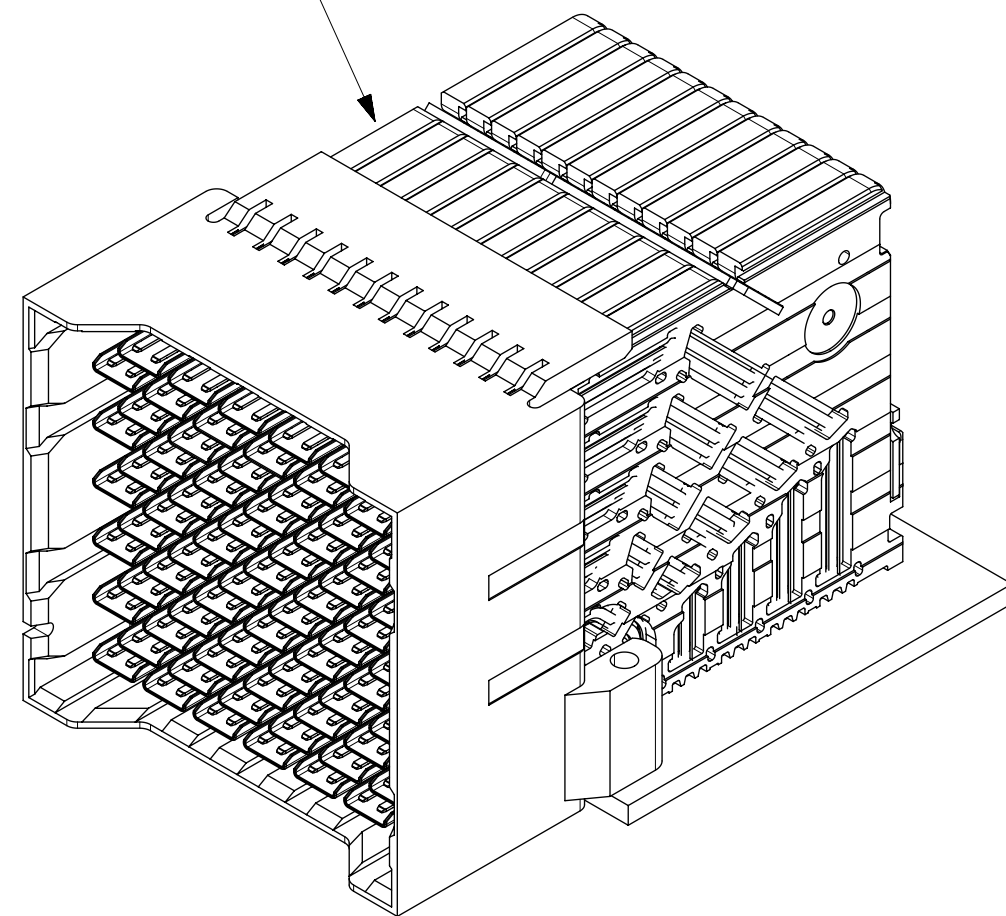
ORTHO DIRECT RAM HOLE PATTERN (CONNECTOR SIDE)

THIS DRAWING CONTAINS INFORMATION THAT IS PROPRIETARY TO MOLEX ELECTRONIC TECHNOLOGIES, LLC AND SHOULD NOT BE USED WITHOUT WRITTEN PERMISSION											
SYMBOLS		DIMENSION UNITS	SCALE	CURRENT REV DESC: ADD 1717409218							
$\nabla = 0$			4:1	molex IMPEL ORTHOGONAL DIRECT 6 PAIR X 12 COLUMN RAM UNGUIDED SALES DRAWING PRODUCT CUSTOMER DRAWING							
$\nabla = 0$		GENERAL TOLERANCES (UNLESS SPECIFIED)									
$\nabla = 0$		ANGULAR TOL $\pm 0.5^\circ$									
$\nabla = 0$		4 PLACES \pm									
$\nabla = 0$		3 PLACES \pm									
$\nabla = 0$		2 PLACES ± 0.13									
$\nabla = 0$		1 PLACE ± 0.25		EC NO: 604031		2018/09/13		DRWN: JLTAN06 CHK'D: CYLIAW APPR: DWLEE01 2018/09/13 2018/09/21			
$\nabla = 0$		0 PLACES \pm		INITIAL REVISION:		2016/03/04					
$\nabla = 0$				DRWN: DWLEE01		2016/03/08					
$\nabla = 0$		DRAFT WHERE APPLICABLE MUST REMAIN WITHIN DIMENSIONS		THIRD ANGLE PROJECTION		DRAWING		SERIES			
				C-SIZE		171740		MATERIAL NUMBER			
								CUSTOMER			
								SHEET NUMBER			
								2 OF 3			

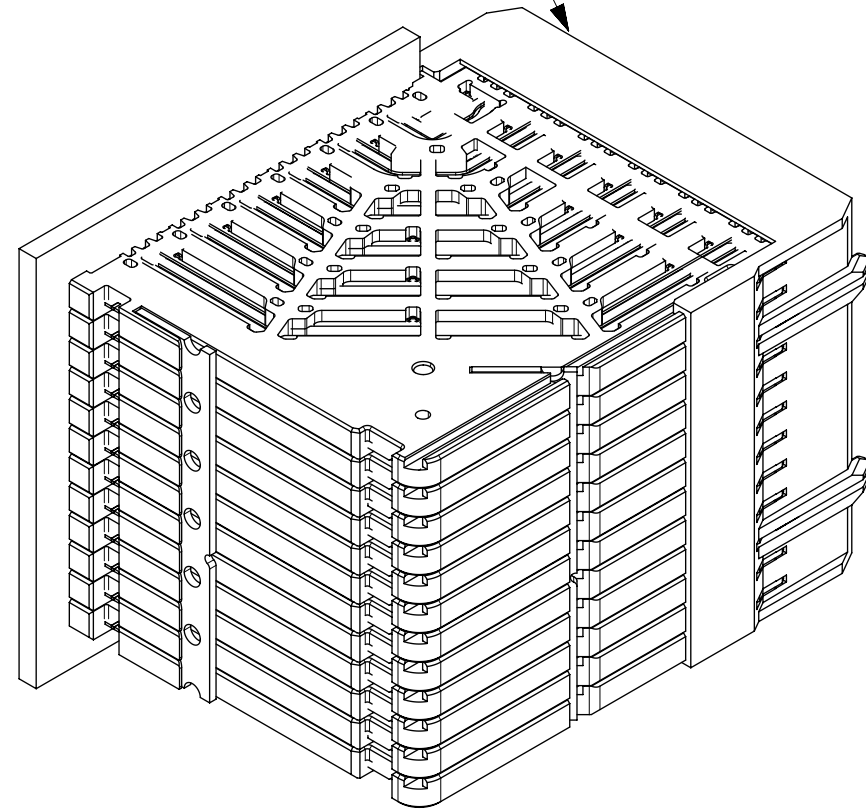
ORTHO PIN MAPPING (RAF - OD RAM)

M1-A11	M2-B12	M3-C11	M4-D12	M5-E11	M6-F12	M7-G11	M8-H12	M9-J11	M10-K12	M11-L11	M12-M12
L1-B11	L2-A12	L3-D11	L4-C12	L5-F11	L6-E12	L7-H11	L8-G12	L9-K11	L10-J12	L11-M11	L12-L12
K1-A9	K2-B10	K3-C9	K4-D10	K5-E9	K6-F10	K7-G9	K8-H10	K9-J9	K10-K10	K11-L9	K12-M10
J1-B9	J2-A10	J3-D9	J4-C10	J5-F9	J6-E10	J7-H9	J8-G10	J9-K9	J10-J10	J11-M9	J12-L10
H1-A7	H2-B8	H3-C7	H4-D8	H5-E7	H6-F8	H7-G7	H8-H8	H9-J7	H10-K8	H11-L7	H12-M8
G1-B7	G2-A8	G3-D7	G4-C8	G5-F7	G6-E8	G7-H7	G8-G8	G9-K7	G10-J8	G11-M7	G12-L8
F1-A5	F2-B6	F3-C5	F4-D6	F5-E5	F6-F6	F7-G5	F8-H6	F9-J5	F10-K6	F11-L5	F12-M6
E1-B5	E2-A6	E3-D5	E4-C6	E5-F5	E6-E6	E7-H5	E8-G6	E9-K5	E10-J6	E11-M5	E12-L6
D1-A3	D2-B4	D3-C3	D4-D4	D5-E3	D6-F4	D7-G3	D8-H4	D9-J3	D10-K4	D11-L3	D12-M4
C1-B3	C2-A4	C3-D3	C4-C4	C5-F3	C6-E4	C7-H3	C8-G4	C9-K3	C10-J4	C11-M3	C12-L4
B1-A1	B2-B2	B3-C1	B4-D2	B5-E1	B6-F2	B7-G1	B8-H2	B9-J1	B10-K2	B11-L1	B12-M2
A1-B1	A2-A2	A3-D1	A4-C2	A5-F1	A6-E2	A7-H1	A8-G2	A9-K1	A10-J2	A11-M1	A12-L2

ORTHO DIRECT RAM



ORTHO RAF



CONNECTORS ARE DESIGNED TO MATE IN THE ORIENTATION AS SHOWN.
(THIS IS CONSISTENT WITH THE 270° ORIENTATION OF THE ORTHO
MIDPLANE SYSTEM, BUT THE ORTHOGONAL PINMAP IS DIFFERENT.)

MATERIAL NUMBER	NUMBER OF COLUMNS	NUMBER OF DIFF PAIR	DIM "P"	SUPPLIED SCREW P/N	APPLICABLE MAX. BOARD THICKNESS
171740-9288	12	72	5.50	73726-0000	4.4 MM
171740-9218	12	72	5.50	73726-0020	5.5 MM

171740-92**

COLUMN SIZE
2 = 12 COLUMN

PIN LENGTH (P)
7 = 4.90
8 = 5.50

SYMBOLS	THIS DRAWING CONTAINS INFORMATION THAT IS PROPRIETARY TO MOLEX ELECTRONIC TECHNOLOGIES, LLC AND SHOULD NOT BE USED WITHOUT WRITTEN PERMISSION									
▽ = 0	DIMENSION UNITS	SCALE	CURRENT REV DESC: ADD 1717409218							
▽ = 0		2:1	IMPEL ORTHOGONAL DIRECT 6 PAIR X 12 COLUMN RAM UNGUIDED SALES DRAWING							
▽ = 0	GENERAL TOLERANCES (UNLESS SPECIFIED)									
▽ = 0	ANGULAR TOL	± 0.5°	EC NO: 604031 DRWN: JLTAN06 2018/09/13 CHK'D: CYLIAW 2018/09/13 APPR: DWLEE01 2018/09/21							
▽ = 0	4 PLACES	±								
▽ = 0	3 PLACES	±	INITIAL REVISION: DRWN: DWLEE01 2016/03/04 APPR: DWLEE01 2016/03/08							
▽ = 0	2 PLACES	± 0.13								
▽ = 0	1 PLACE	± 0.25	DOCUMENT NUMBER		DOC TYPE	DOC PART	REVISION	SD-171740-9004 PSD 001 B1		
▽ = 0	0 PLACES	±	MATERIAL NUMBER		CUSTOMER		SHEET NUMBER			
▽ = 0	DRAFT WHERE APPLICABLE MUST REMAIN WITHIN DIMENSIONS		THIRD ANGLE PROJECTION	DRAWING	SERIES	MATERIAL NUMBER		CUSTOMER	SHEET NUMBER	
▽ = 0				C-SIZE	171740	SEE CHART		GENERAL MARKET	3 OF 3	