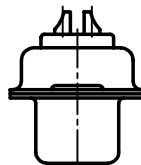
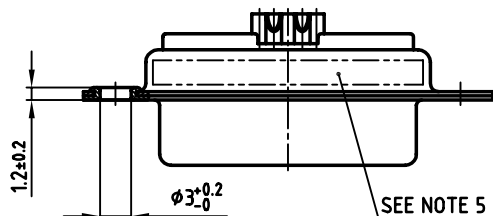
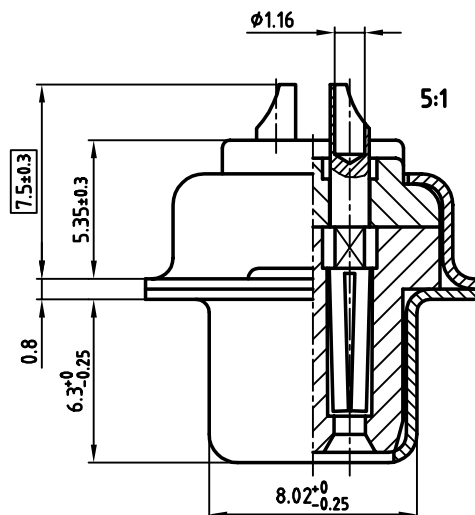
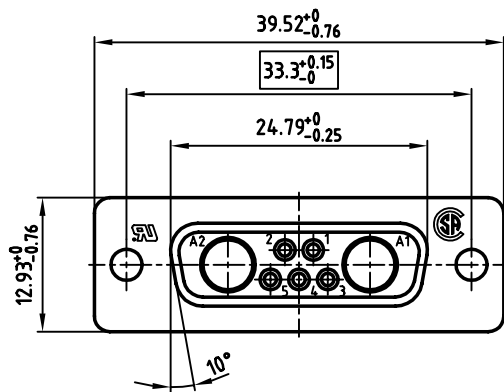


used for: D-SUB COMBINATION



NOTES:

1. METALSHELLS: STEEL; min. 320µ" TIN
2. INSULATORS: PBT GF UL 94 V-0, GREEN
3. SIGNAL CONTACTS: COPPER ALLOY
SOLDER CUP ACCEPTS CABLE AWG 20
4. PLATING: min. 30µ" HARD GOLD OVER min. 50µ" NICKEL
5. CONNECTOR IS PART MARKED: 3007W2SCM99A10X CONEC_Y/WW
6. = CRITICAL DIMENSION

THIS DRAWING MAY NOT BE COPIED OR REPRODUCED IN ANY WAY, AND MAY NOT BE PASSED ON TO A THIRD PARTY, WITHOUT WRITTEN PERMISSION. OWNERSHIP AND COPYRIGHT OF CONEC GmbH DO NOT ALTER CAD DRAWING BY HAND	tolerance				scale: 2:1	
					material: SEE NOTES	
	2002	date	name		title:	
	drawn	07.05.	Parei		D-SUB COMBINATION FEMALE 7W2S SOLDER CUP	
	appd.	07.05.	E. Mickenbecker			
	norm					dwg no: AutoCAD 2000 DIN-A
d-old					13K1A563 sh: 1/1	
rev.	description	date	name		part no: 3007W2SCM99A10X	

