

6

5

4

3

2

1

| REVISIONS |      |      |                 |                 |                  |
|-----------|------|------|-----------------|-----------------|------------------|
| REV.      | ECR# | ZONE | DESCRIPTION     | CHANGED BY/DATE | APPROVED BY/DATE |
| AA        |      |      | INITIAL RELEASE | S.J. 7/23/2010  | S.J. 7/23/2010   |

D

D

C

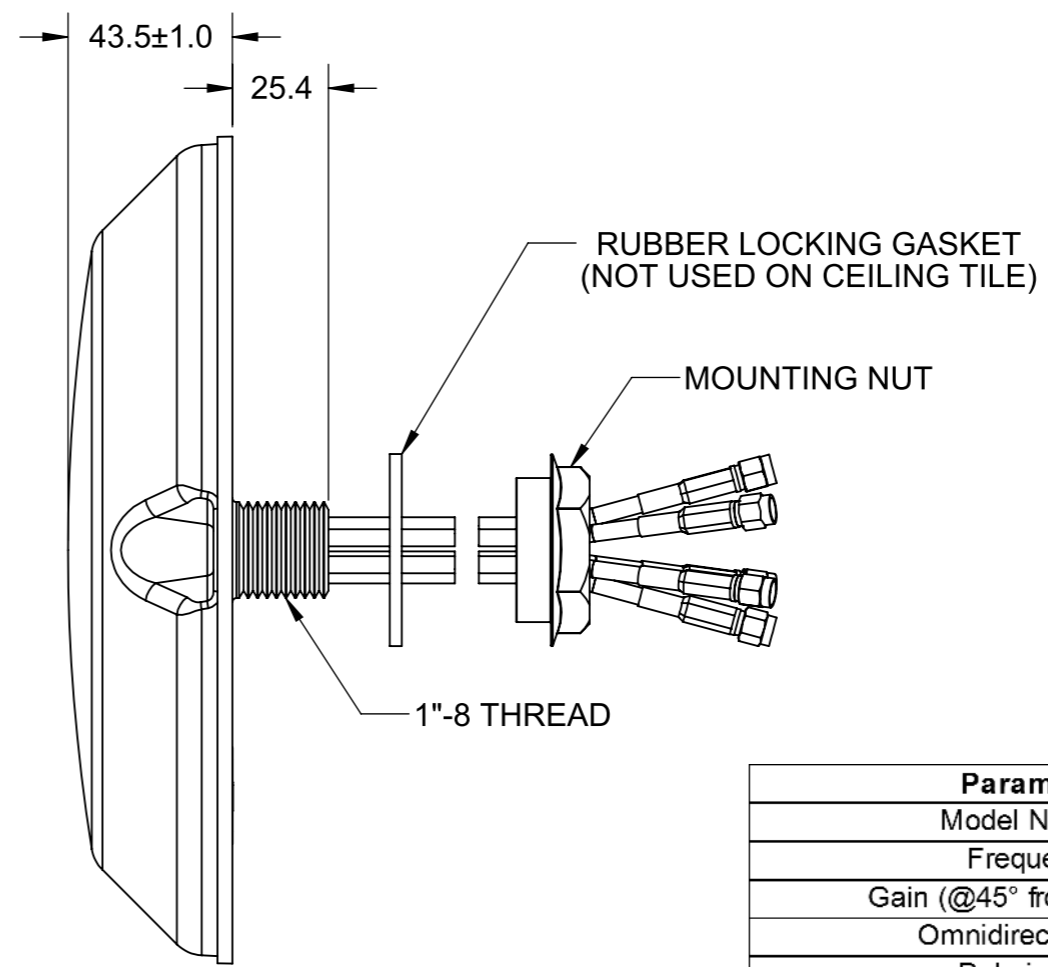
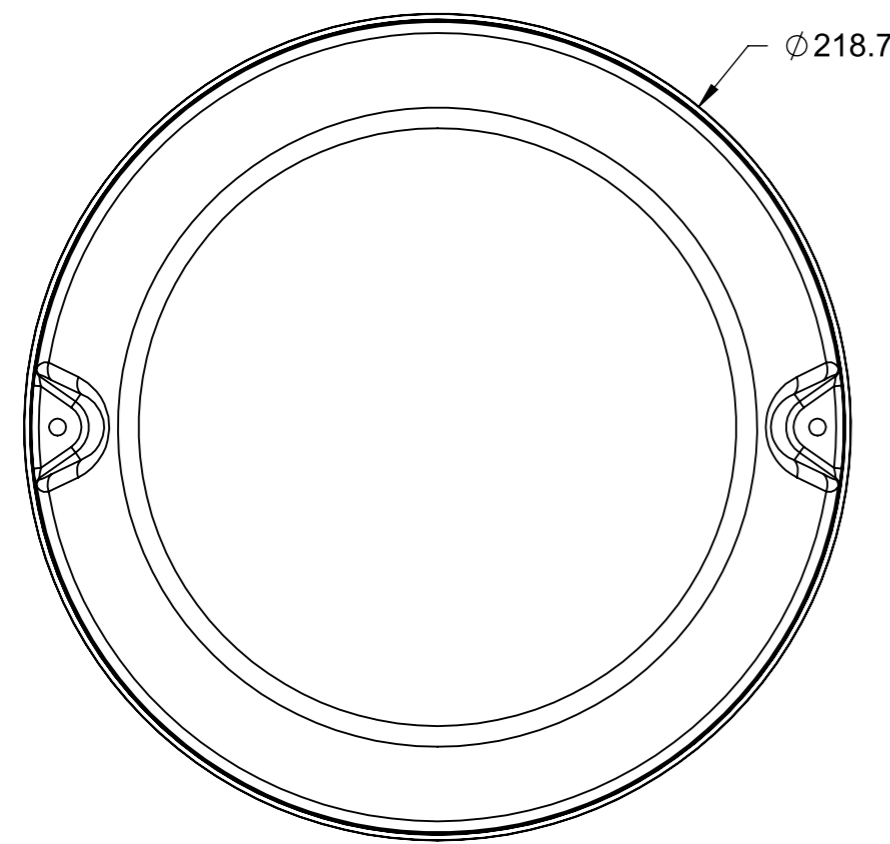
C

B

B

A

A



| Parameter                             | Performance                         |
|---------------------------------------|-------------------------------------|
| Model Number                          | S2451DBT33RSM                       |
| Frequency                             | 2.4-2.5GHz 5.15-5.85GHz             |
| Gain (@45° from Horizon)              | 2dBi Typical                        |
| Omnidirectionality                    | 5dB Nominal                         |
| Polarization                          | Linear                              |
| VSWR                                  | 2.0:1 Max.                          |
| Power                                 | 5W                                  |
| Port-to-Port Isolation (Band-to-Band) | 28dB                                |
| Pigtail Length                        | 3X 838.2mm +/-13mm<br>(33" +/-1/2") |
| RF Connector                          | 6X Rev SMA (m)                      |
| Cable Type                            | Plenum Rated                        |
| 5GHz Ports                            | Blue Heat Shrink                    |
| 2.5GHz Ports                          | Black Heat Shrink                   |
| Radome Color                          | White                               |
| Weight                                | 0.7kg (1.5 lbs)                     |

|             |                |          |
|-------------|----------------|----------|
| MATERIAL:   | N/A            |          |
| FINISH:     | N/A            |          |
| APPROVALS   |                | DATE     |
| DRAWN BY    | S. JOHNSON     | 07/23/10 |
| PROJ. ENG.  | T. PETROPOULOS | 7/27/10  |
| APPL. MECH. | K. SEARL       | 7/26/10  |
| MFG.        | I. CHICKLIS    | 7/26/10  |

THIRD ANGLE PROJECTION

DO NOT SCALE DRAWING

INTERPRET DIMENSIONING AND TOLERANCING IN ACCORDANCE WITH ASME Y14.5M-2009

TOLERANCES UNLESS OTHERWISE SPECIFIED

DIMENSIONS ARE IN MILLIMETERS

ANGLE: ±30'  
0 PLACE DECIMAL: ±0.5  
1 PLACE DECIMAL: ±0.25  
2 PLACE DECIMAL: ±0.13

SURFACE ROUGHNESS 1.6/√

**S2451DBT33RSM**

|            |                         |              |
|------------|-------------------------|--------------|
| SIZE       | DWG. NO.                | REV          |
| <b>A3</b>  | <b>S2451DBT33RSM MO</b> | <b>AA</b>    |
| SCALE: 1:2 | PREVIOUS#               | SHEET 1 OF 1 |

THIS DRAWING IS UNPUBLISHED. RELEASED FOR PUBLICATION - - -  
© Copyright 2022 TE Connectivity Ltd. ALL RIGHTS RESERVED.

6

5

4

3

2

1