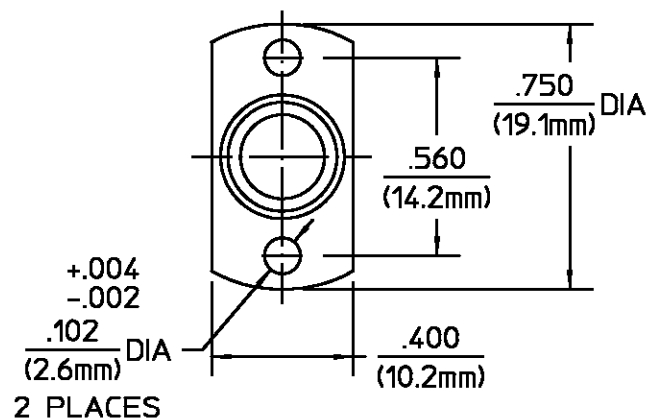


RECOMMENDED MOUNTING HOLE



DESIGNED FOR USE WITH RD-316/U CABLE	
CABLE ENTRY DIAMETER MINIMUM	
HOUSING	.066
FERRULE	.137

REVISIONS			
REV	DESCRIPTION	DATE	APPROVED
01 ₀	RELEASED	3/1/96	PCW

COMPONENT	MATERIAL	FINISH
OUTER HOUSING	NYLON	N/A
INNER HOUSING	BRASS PER ASTM-B-16, HALF HARD	WHITE BRONZE PLATE
FLAT WASHER		
DIELECTRIC	TFE FLUOROCARBON PER ASTM-D-1457	N/A
INNER CONTACT	BERYLLIUM COPPER PER ASTM B 196, ALLOY C17300, CONDITION H	GOLD PLATE PER MIL-G-45204
CENTER CONTACT	BRASS PER ASTM-B-16 HALF HARD	GOLD PLATE PER MIL-G-45204
CONTACT RING	BERYLLIUM COPPER PER ASTM B 194, ALLOY C17200, CONDITION H	GOLD PLATE PER MIL-G-45204
RETAINING RING	BERYLLIUM COPPER PER ASTM B 194, ALLOY C17200, CONDITION H	WHITE BRONZE
FERRULE	COPPER OR BRASS ALLOY ROCKWELL F65 MAXIMUM	WHITE BRONZE
SPRING	SPRING STEEL	WHITE BRONZE

ELECTRICAL	MECHANICAL	ENVIRONMENTAL
Nominal Impedance (Ohms) 50		Temperature Rating -40° to +105°C
Frequency Range (GHz) DC to 6		Vibration MIL-STD-1344, Method 2005, Condition V-F
Return Loss 20.0 dB Min	Mating Characteristics:	Shock MIL-STD-1344, Method 2004 Condition A
Insertion Loss (dB MAX) .05 √f(GHz)	Insertion (MAX Lbs) 3	Thermal Shock MIL-STD-1344 Method 1003, Condition A
RF Leakage (dB MIN) (Interface Only, Fully Mated) -[60-f(GHz)]	Withdrawal (MIN Oz) 1.0	Moisture Resistance MIL-STD-1344 Method 1002, Cond B, Type I
Corona, 70,000 Ft (VRMS MIN) 190	Force to Engage (Lbs MAX) & Disengage (Lbs MAX) 3 & 1.5	Corrosion - MIL-STD-1344, Method 1001, 48 Hrs
Dielectric Withstanding Voltage (VRMS MIN) @ Sea Level 500	Center Contact Captivation	
Contact Resistance (Milliohms MAX)	Axial (Lbs) 6	
Center Contact 2.0	Cable Retention	
Outer Contact 5.0	Axial Force (Lbs MIN) 10.0	
RF High Potential @ Sea Level (VRMS MIN @ 5 MHz) 500		
LR.(Megohms MIN) 10000		

UNLESS OTHERWISE SPECIFIED DIMENSIONS ARE IN INCHES TOLERANCE ON

FRAC.	DEC.	ANGLES
± 1/64	±.005	± °

DRAWN BY *PCW* DATE 1/29/96

CHECKED BY

APPD BY *PCW* DATE 3/1/96

USE ASS'Y PROCEDURE

NO. AP. 44-001
408-04590

AMP Incorporated
140 Fourth Avenue
Waltham, MA 02451-7599

AMP

TITLE OSP FLOATING 2 HOLE FLANGE MOUNT CABLE JACK - CRIMP ATTACHMENT - COMMERCIAL

SIZE B	CODE IDENT NO. 26805	4436-7316-36	REV 01 ₀
SCALE 2:1			SHEET 1 OF 1

CUSTOMER DRAWING

AMP PART # 1059327-1
SHEET 1 OF 1 REV A