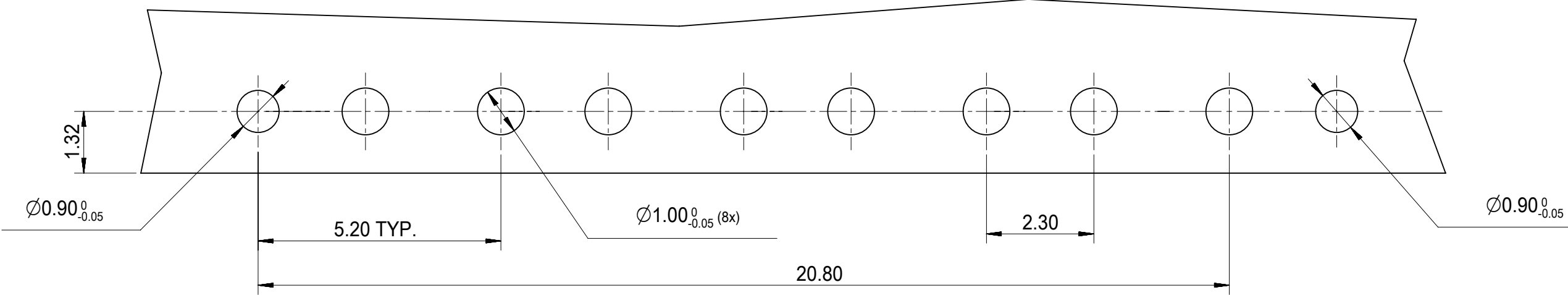
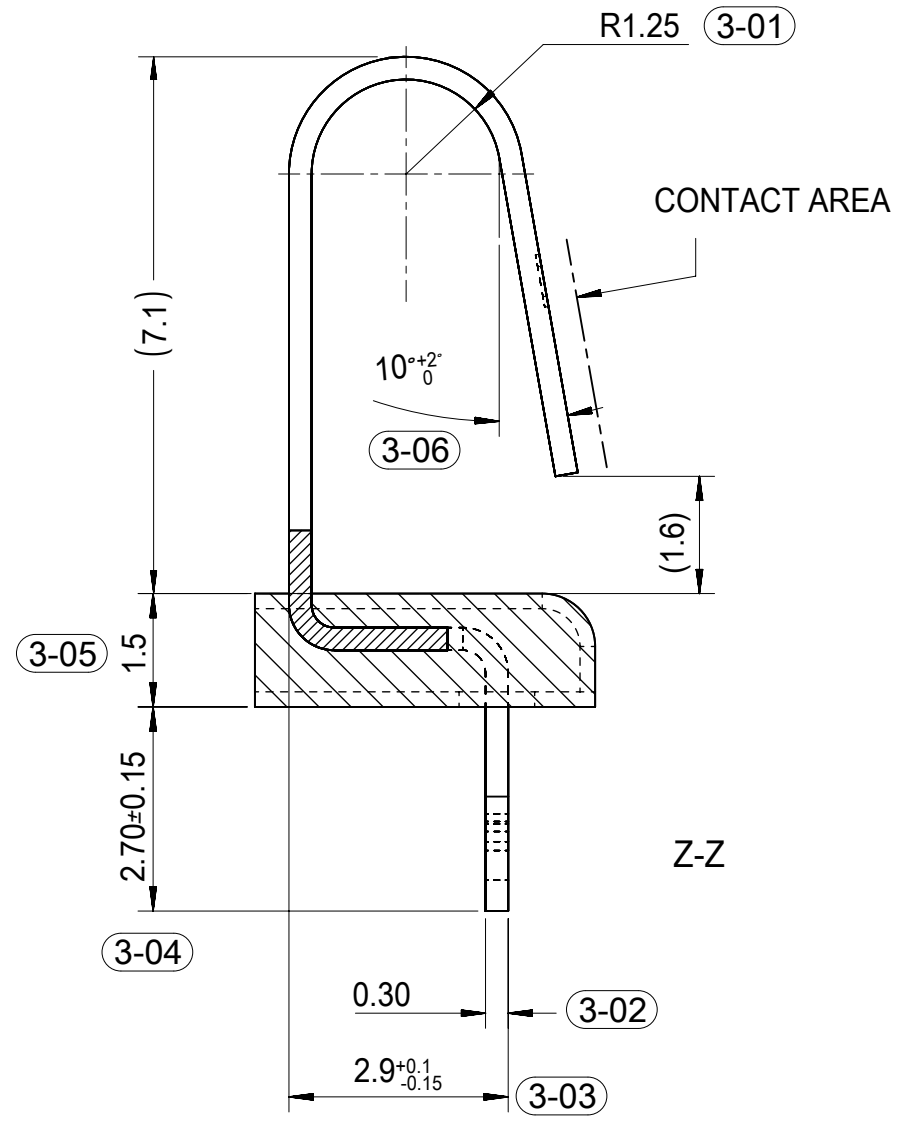
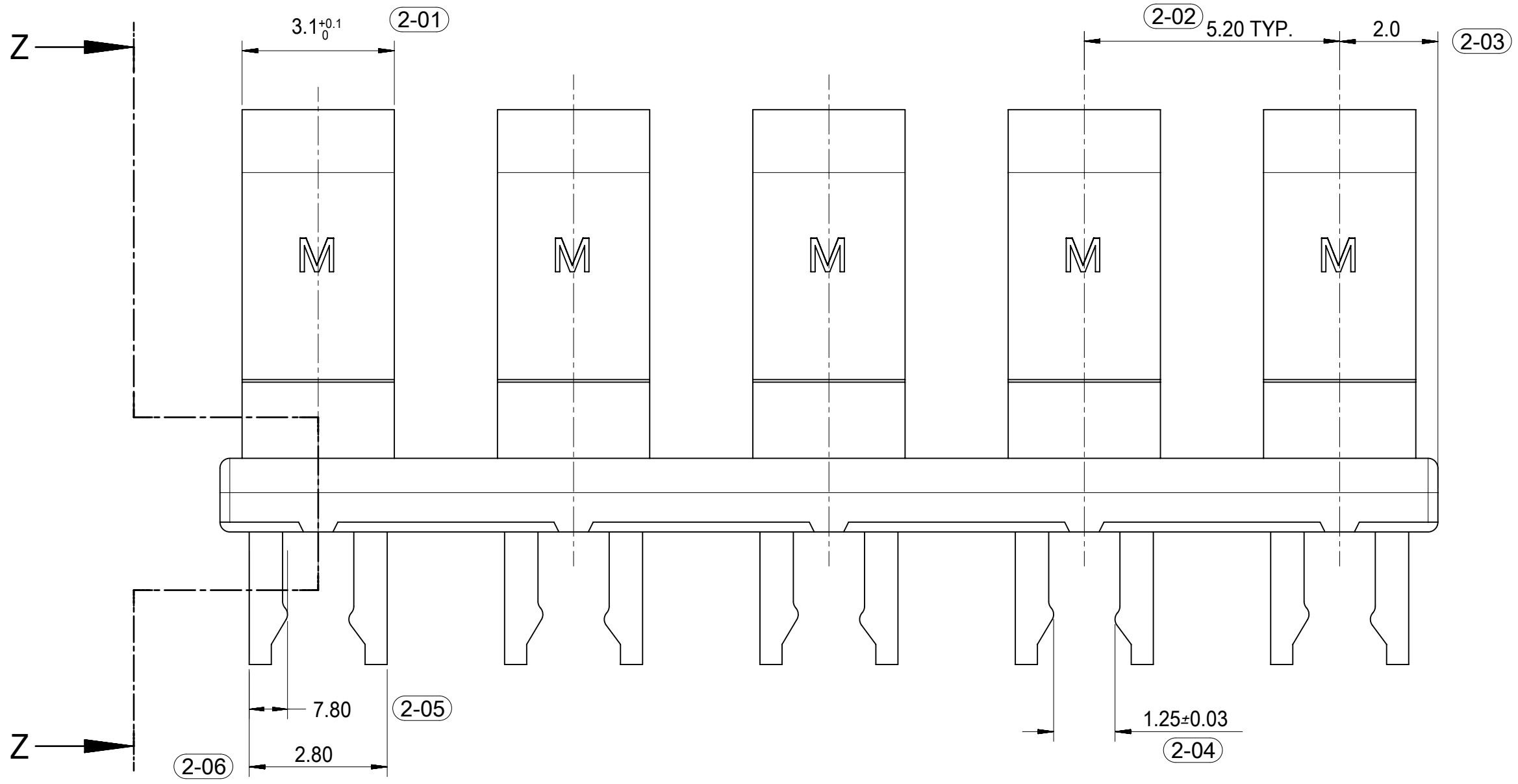
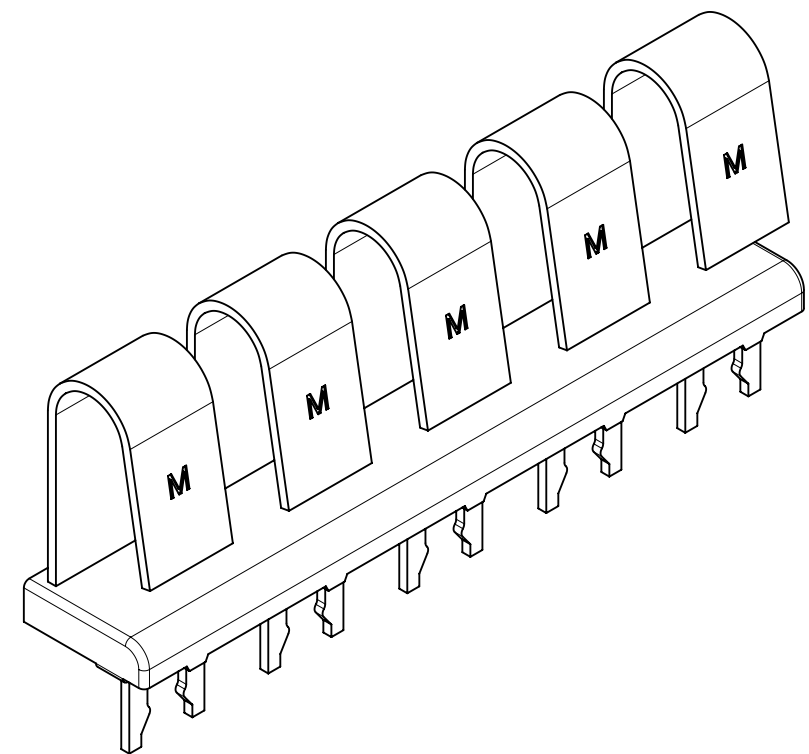


IN THE EVENTUALITY OF PRESENCE OF SHORT SHOTS UP TO 3.5mm<sup>2</sup> ON ONE END OF THE PLASTIC BODY, THE FUNCTIONALITY OF THE PART IS NOT IMPAIRED AND THE CONNECTOR CAN BE USED WITH NO PROBLEM



RECOMMENDED PCB LAYOUT (PCB THICKNESS: 1.5mm)

- NOTES:
- MATERIALS
    - HOUSING: PA46 30% G.F., V0, BLACK
    - TERMINAL: ALLOY C19010 (STOL 76)
  - TERMINAL PLATING: 4.0um MIN. TIN PREPLATED STRIP
  - PACKAGING: LOOSE PIECES IN CARDBOARD BOXES (1200PCS/BOX; 8 BOXES/CARTON). SPQ: 9600PCS

3D models used:  
 - EM-94324-001  
 - EM-94234-040

|         |  |   |                                       |
|---------|--|---|---------------------------------------|
| SYMBOLS |  | THIS DRAWING CONTAINS INFORMATION THAT IS PROPRIETARY TO MOLEX ELECTRONIC TECHNOLOGIES, LLC AND SHOULD NOT BE USED WITHOUT WRITTEN PERMISSION |                                       |
| ∇ = 0   | DIMENSION UNITS                                      | SCALE   | CURRENT REV DESC: CHANGED DIM. # 3-03 |
| ∇ = 0   | mm   | 10:1  |                                       |
| ∇ = 0   | GENERAL TOLERANCES (UNLESS SPECIFIED)                |   |                                       |
| ∇ = 0   | ANGULAR TOL  | ± °   |                                       |
| ∇ = 0   | 4 PLACES   | ±   | EC NO: 175133                         |
| ∇ = 0   | 3 PLACES   | ±   | DRWN: SBARBIERI 2018/04/16            |
| ∇ = 0   | 2 PLACES   | ± 0.05  | CHK'D: PZANGIROLAMI 2018/04/18        |
| ∇ = 0   | 1 PLACE  | ± 0.1   | APPR: PZANGIROLAMI 2018/04/18         |
| ∇ = 0   | 0 PLACES   | ±   | INITIAL REVISION:                     |
| ∇ = 0   | DRAFT WHERE APPLICABLE MUST REMAIN WITHIN DIMENSIONS |   | DRWN: SBARBIERI 2013/01/07            |
|         | FIRST ANGLE PROJECTION                               | DRAWING   | APPR: FBISELLO 2013/06/18             |
|         |  | SERIES  |                                       |
|         |  | A2-SIZE   | 94234                                 |
|         |  | MATERIAL NUMBER   | 942341005                             |
|         |  | CUSTOMER  | GENERAL MARKET                        |
|         |  | SHEET NUMBER  | 1 OF 1                                |

**molex**

5 CKT SERIAL CONNECTOR

PRODUCT CUSTOMER DRAWING

|                 |          |          |          |
|-----------------|----------|----------|----------|
| DOCUMENT NUMBER | DOC TYPE | DOC PART | REVISION |
| SD-94234-010    | PSD      | 001      | A1       |

|                 |    |              |                     |
|-----------------|----|--------------|---------------------|
| DOCUMENT STATUS | P1 | RELEASE DATE | 2018/04/18 16:30:28 |
|-----------------|----|--------------|---------------------|