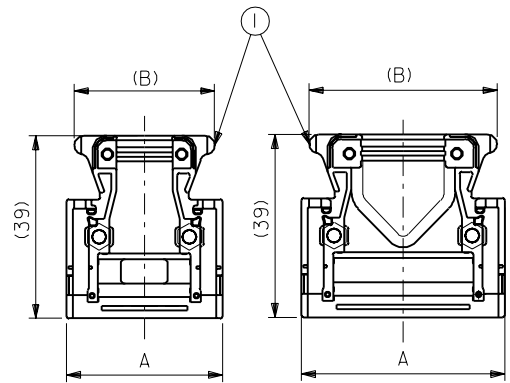
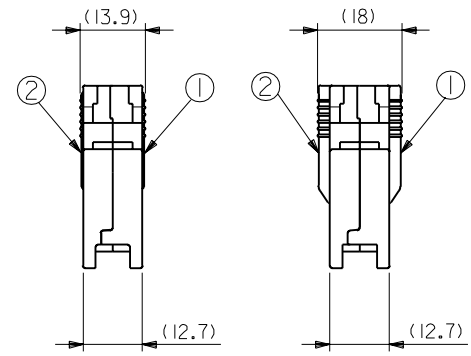


DWG. NO. SD-54331-**** I



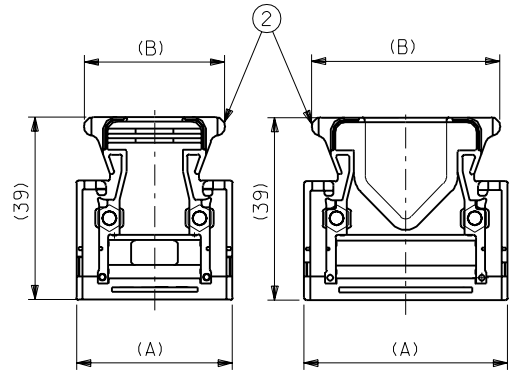
14,20,26 極形状
(SCALE:1-1)

36.50 極形状
(SCALE:1-1)



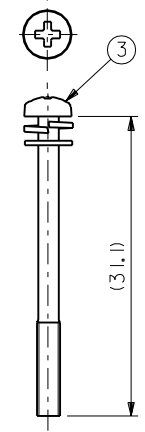
CIRCUIT 14,20,26 極形状
(SCALE:1-1)

CIRCUIT 36.50 極形状
(SCALE:1-1)



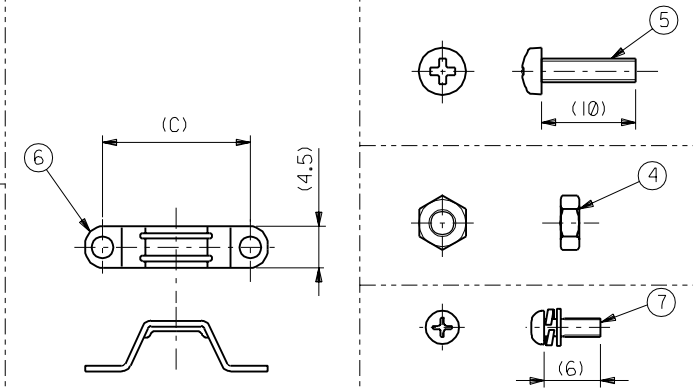
14,20,26 極形状
(SCALE:1-1)

36.50 極形状
(SCALE:1-1)



注) NOTE.
 1.ねじ締め付ナトルク: ケース用(M2.5x10): 5~5.5Kgf・cm
 Recommended screw tightening torque (For case ass'y)
 ケーブルクランプ用(M2x6): 3~3.5Kgf・cm
 (For cable cramp)
 リセプタクル固定用(M2.5x31.1): 3~3.5Kgf・cm
 (For fixed with receptacle conn.)

No.	DESCRIPTION	MATERIAL	QUANTITY	NOTES
①	CABLE COVER (A)	ALUMINUM DIE CAST	1	NI PLATING
②	CABLE COVER (B)	ALUMINUM DIE CAST	1	NI PLATING
③	CROSS RECESSED HEAD SCREW	STEEL	2	M2.5
④	HEXAGON NUT	STEEL	2	M2.5
⑤	CROSS RECESSED HEAD SCREW	STEEL	2	M2.5X10
⑥	CRAMP	SPCC-SD	1	t=0.6
⑦	CROSS RECESSED HEAD SCREW	STEEL	2	M2X6



ø 16 MAX.	58546-0680	58545-0680	58548-5000	23	60.48	63.78	54331-0681	68
	58546-0500	58545-0500			49.05	52.35	54331-0501	50
	58546-0360	58545-0360			40.16	43.46	54331-0361	36
ø 12 MAX.	58546-0260	58545-0260	58548-2000	15.8	33.81	37.11	54331-0261	26
	58546-0200	58545-0200			30	33.3	54331-0201	20
ø 8 MAX.	58546-0140	58545-0140	58548-1400	12	26.19	29.49	54331-0141	14
ケーブル外覆仕上り径 CABLE DIA.	CABLE COVER (B)	CABLE COVER (A)	CRAMP	C	B	A	製品番号 ENG.No.	極数 CKT

角度 ANGLE	±3°	記号 LTR	変更内容 REVISION RECORD	DR. CHK.	日付 DATE	APP'D BY	CHK'D BY	尺度 SCALE
30°以上 OVER	+0.3	E	変更 (JD91457)	H.T.	99/05/10	M.Y.	Y.1	2-1
10°以上 30°未満 UNDER	+0.25	D	変更 (JD90929)	M.Y.	99/01/08	Y.1	Y.1	2-1
10°未満 UNDER	+0.2	C	変更 (JD90739)	M.Y.	98/11/25	Y.1	Y.1	2-1
		B	変更 (JD90508)	M.Y.	98/09/24	Y.1	Y.1	2-1
		A	変更 (JD90252)	M.Y.	98/08/21	Y.1	Y.1	2-1
		0	新規作成 (JD81698)	M.I.	98/06/11	Y.1	Y.1	2-1

材料 MATERIAL
 SEE TABLE
 仕上げ FINISH #
 適用電線範囲 WIRE RANGE #
 被覆外径 INS. RANGE #
 DRAWN BY M.ISOGAYA
 CHK'D BY S. Ishimaru / Y. Ota
 尺度 SCALE 2-1

molex MOLEX-JAPAN CO.,LTD.
 日本モレックス株式会社
 REVISE ONLY ON CAD SYSTEM
 TITLE 名称
 1.27mm PITCH 1/0 CONN.
 CABLE HS'G ASS'Y
 (SCREW LOCK TYPE)
 DWG. NO. SD-54331-**** I
 REV E