

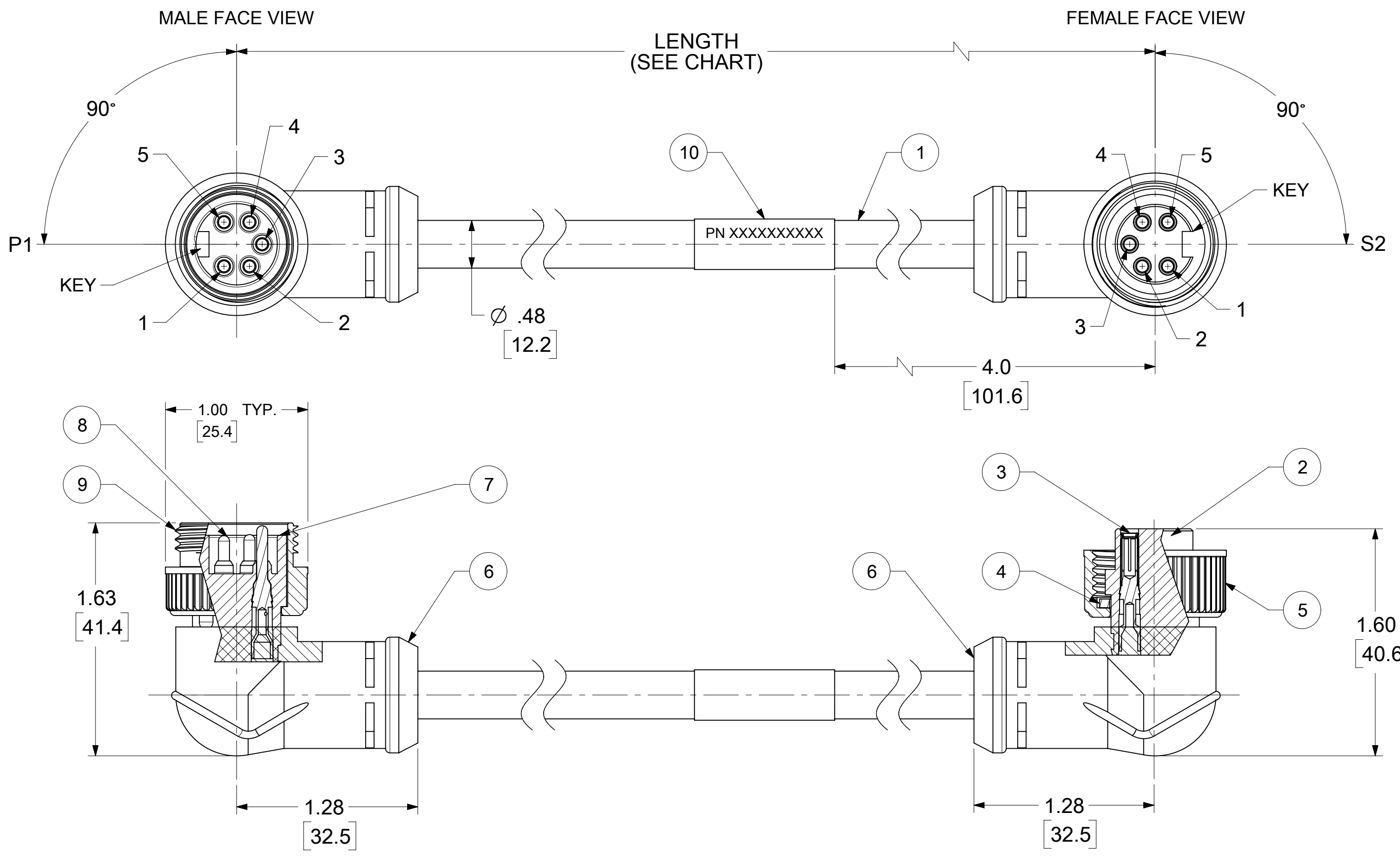
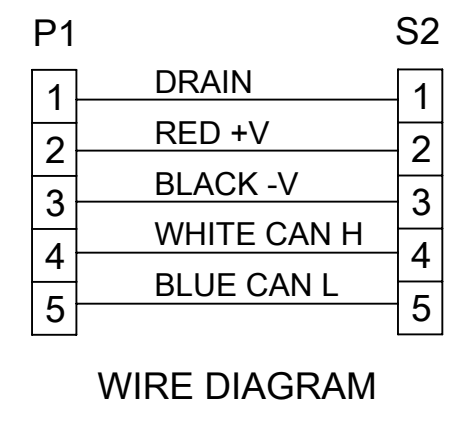
MATERIAL NO.	ENGINEERING NO.	FINISHED LENGTH
1300250196	DN99A-M006	1 FT 11.6 IN [0.6M]
1300250197	DN99A-M010	3 FT 3.3 IN [1.0M]
1300250220	DN99A-M400	131 FT 2.8 IN [40.0M]
1300250223	DN99A-M750	246 FT [75.0M]

PART NO. LEGEND

DN99A-M010
 FINISHED LENGTH
 M005= 0.5 METER
 M010= 1 METER
 M100= 10 METER

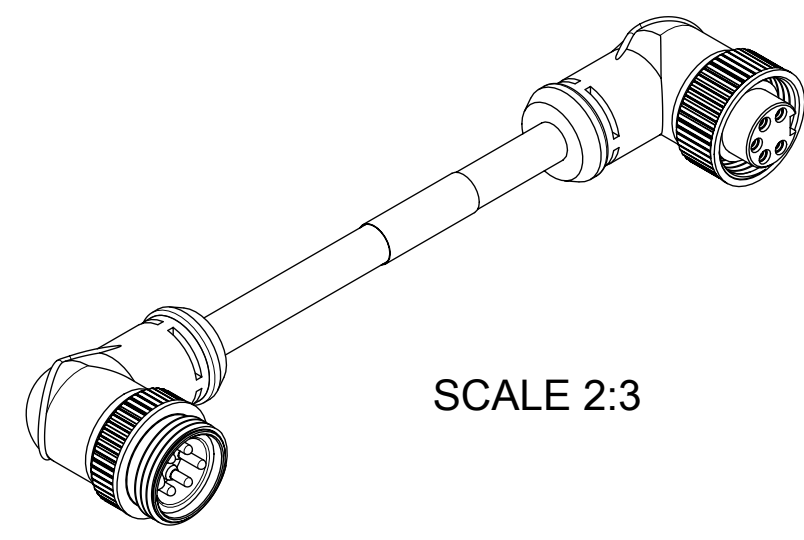
CABLE LENGTH TOLERANCES

<.3M [1FT]:	+19mm-0 [+1.75in-0]
.3 - .9M [1 - 3FT]:	+44.5mm-0 [+1.75in-0]
.9 - 1.8M [3 - 6FT]:	+55.6mm-0 [+2.19in-0]
1.8 - 3.7M [6 - 12FT]:	+88.9mm-0 [+3.50in-0]
3.7 - 7.3M [12 - 24FT]:	+165.1mm-0 [+6.50in-0]
7.3-14.6M [24 - 48FT]:	+317.5mm-0 [+12.50in-0]
14.6 - 30.5M [48-100FT]:	+622.3mm-0 [+24.50in-0]
OVER 30M [100FT]:	+2% OF FINISHED LENGTH



- NOTES:**
1. MATERIAL: AS NOTED
 2. FINISH: AS NOTED
 3. ELECTRICAL SPECIFICATIONS
 VOLTAGE RATING: 300V PER IEC60664
 300V PER UL2238
 CURRENT RATING: 4A
 4. TEMP RANGE: -20°C TO +80°C
 5. COUPLING THREAD: 7/8-16 UN
 6. PROTECTION: IP67 (WHEN MATED)
 7. UL RECOGNIZED FILE: E152210
 CSA CERTIFIED FILE: LR6837
 8. ALL DIMENSIONS ARE FOR REFERENCE UNLESS TOLERANCED OR NOTED OTHERWISE

10	9	8	7	6	5	4	3	2	1
10	9	8	7	6	5	4	3	2	1
LABEL	COUPLING NUT, MALE	CONTACT PIN	INSERT, MALE, 5 POLE	OVERMOLDS	COUPLING NUT, FEMALE	FRICITION RING	CONTACT SOCKET	INSERT, FEMALE, 5 POLE	CABLE, DEV-NET, TRUNK, 18/2, 15/2
VINYL	ZINC DIE CAST	BRASS	TPE	TPE	ZINC DIE CAST	NYLON	BRASS	TPE	PVC JACKET
BLACK/YELLOW	BLACK E-COAT	GOLD PLATED	BLACK	GRAY	BLACK E-COAT	WHITE	GOLD PLATED	BLACK	GRAY
MATERIAL									
FINISH									



THIS DRAWING CONTAINS INFORMATION THAT IS PROPRIETARY TO MOLEX ELECTRONIC TECHNOLOGIES, LLC AND SHOULD NOT BE USED WITHOUT WRITTEN PERMISSION

FUNCTIONAL SYMBOLS	DIMENSION UNITS	SCALE	CURRENT REV DESC:
FA = 0	INCH/MM	1.5:1	INSERT COLOR WAS GRAY
FC = 0	GENERAL TOLERANCES (UNLESS SPECIFIED)		
FP = 0		MM	INCH
	4 PLACES	±	±
	3 PLACES	±	±
	2 PLACES	±	±
	1 PLACE	±	±
	0 PLACES	±	±
	ANGULAR TOL	± °	
	DRAFT WHERE APPLICABLE MUST REMAIN WITHIN DIMENSIONS		

EC NO: 702517	2022/04/07
DRWN: RSTONE	2022/04/08
CHK'D: MZIELINSKI	2022/04/12
APPR: BWOODMAN	
INITIAL REVISION:	
DRWN: R. STONE	2009/05/11
APPR: JFMURPHY	2009/05/15

molex	
MINI-CHANGE CORDSET, A SIZE 5 POLE, MALE-FEMALE, 90/90 DEG, SINGLE KEY, 15/18 AWG, DEVICE NET	
PRODUCT CUSTOMER DRAWING	
DOCUMENT NUMBER	DOC TYPE DOC PART REVISION
SD-130025-003	PSD 001 B1
MATERIAL NUMBER	CUSTOMER
	GENERAL MARKET
SHEET NUMBER	
1 OF 1	