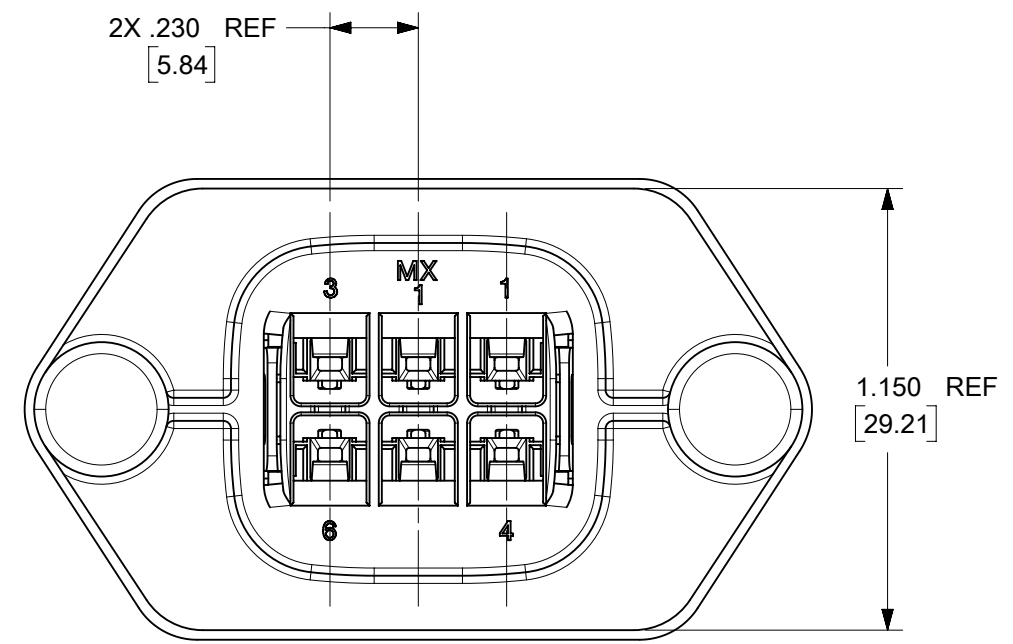
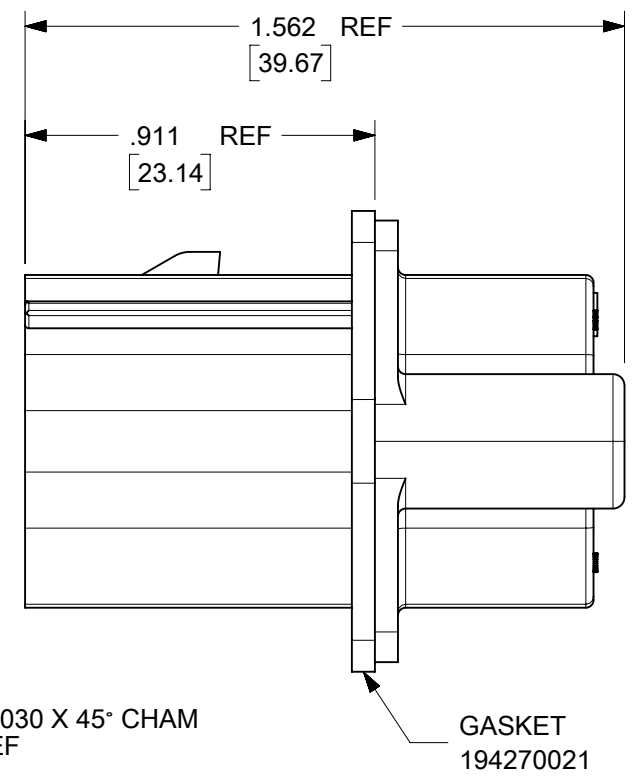
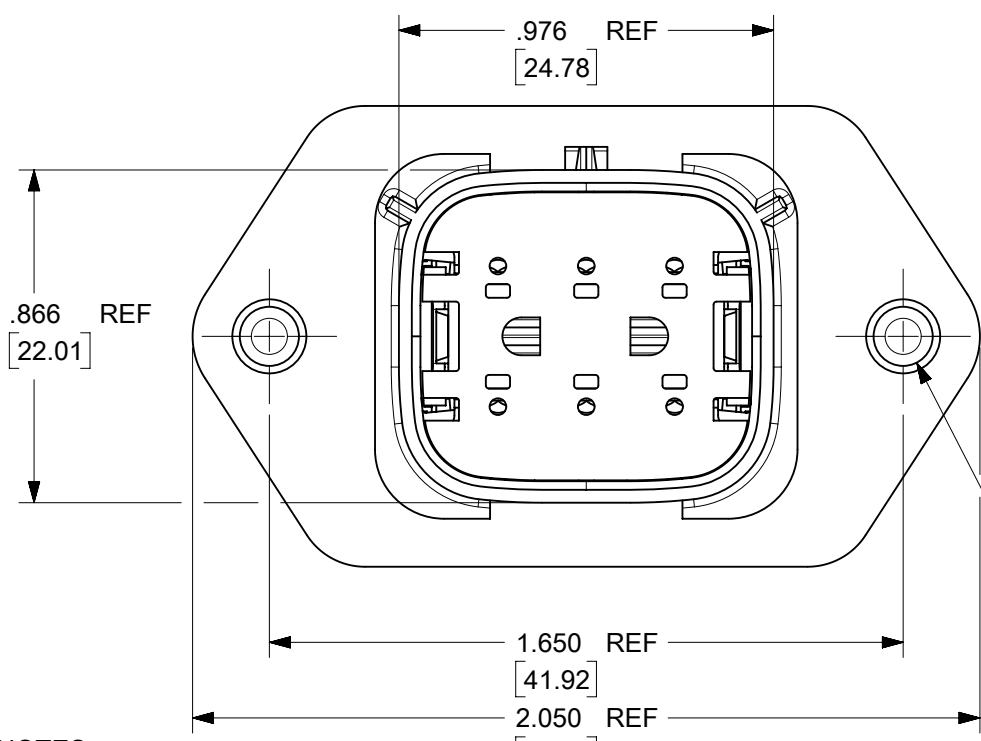


SCALE 1:1



- NOTES:
- MATERIALS: D  
HOUSING: SYNDIOTACTIC POLYSTYRENE (SPS), GLASS FILLED, UL94 V-0, COLOR: BLACK  
GASKET: EPDM RUBBER
  - PRODUCT SPECIFICATION: PS-19417-001.
  - PACKAGING SPECIFICATION: PK-19429-001.  
GASKETS, IF REQUIRED FOR THE ASSEMBLIES, ARE BULK PACKAGED IN A SEPARATE BAG.
  - MATES WITH: 19418 SERIES RECEPTACLE ASSEMBLIES.
  - USE CONNECTOR WITH MALE CRIMP TERMINAL: SERIES 19417.
  - RECOMMENDED MOUNTING HARDWARE: (2)#10 X .62/15.8 LONG PLASTIC THREAD CUTTING SCREWS. RECOMMENDED TORQUE 15-17 IN-LBS.  
SUGGESTED SOURCE: ITW SHAKEPROOF INDUSTRIAL BOSSCREW OR EQUIVALENT.
  - ASSEMBLY IS ROHS COMPLIANT.

194290036	YES
194290010	NO
MATERIAL NUMBER	GASKET

THIS DRAWING CONTAINS INFORMATION THAT IS PROPRIETARY TO MOLEX ELECTRONIC TECHNOLOGIES, LLC AND SHOULD NOT BE USED WITHOUT WRITTEN PERMISSION											
FUNCTIONAL SYMBOLS	THIS DRAWING CONTAINS INFORMATION THAT IS PROPRIETARY TO MOLEX ELECTRONIC TECHNOLOGIES, LLC AND SHOULD NOT BE USED WITHOUT WRITTEN PERMISSION	SCALE		CURRENT REV DESC: REDRAWN IN NX & HSG MATERIAL UPDATED							
	in/[mm]	2:1		EC NO: 690910 DRWN: RMY02 CHK'D: DMYRICK APPR: JMACNEIL INITIAL REVISION: DRWN: DMYRICK APPR: DTITUS							
	GENERAL TOLERANCES (UNLESS SPECIFIED)		MM								
DIVISIONAL SYMBOLS	4 PLACES	±	±	2021/12/20 2022/01/05 2022/01/06 03/11/10 2010/10/18							
	3 PLACES	±	± 0.015								
	2 PLACES	± 0.38	±								
	1 PLACE	±	±								
ANGULAR TOL		± 1.0°		THIRD ANGLE PROJECTION		DRAWING	SERIES	MATERIAL NUMBER	CUSTOMER	SHEET NUMBER	
DRAFT WHERE APPLICABLE MUST REMAIN WITHIN DIMENSIONS						B-SIZE	19429	SEE CHART	GENERAL MARKET	1 OF 1	

**molex**

6 WAY PLUG PANEL MOUNT ASSEMBLY 22-14 AWG

PRODUCT CUSTOMER DRAWING			
DOCUMENT NUMBER	DOC TYPE	DOC PART	REVISION
SD-19429-003	PSD	001	D

DOCUMENT STATUS	P1	RELEASE DATE	2022/01/06	14:54:29
-----------------	----	--------------	------------	----------