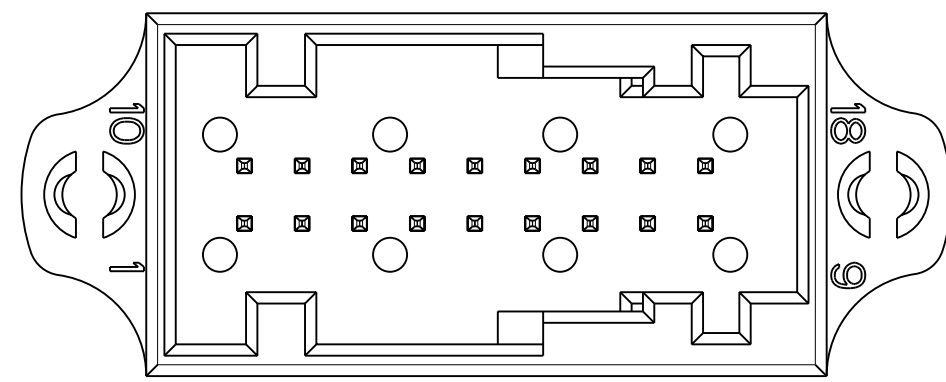
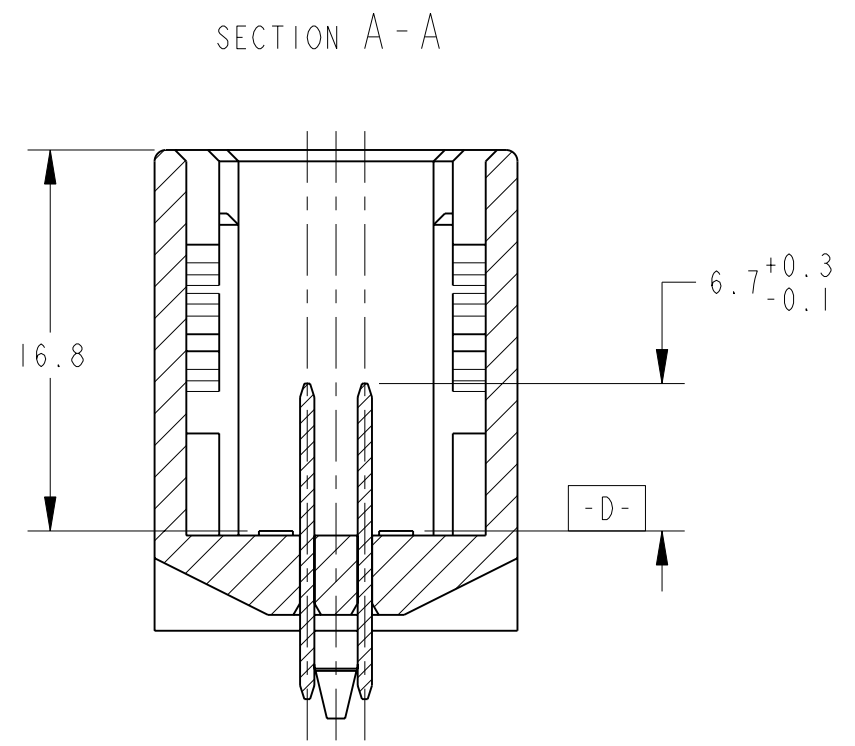
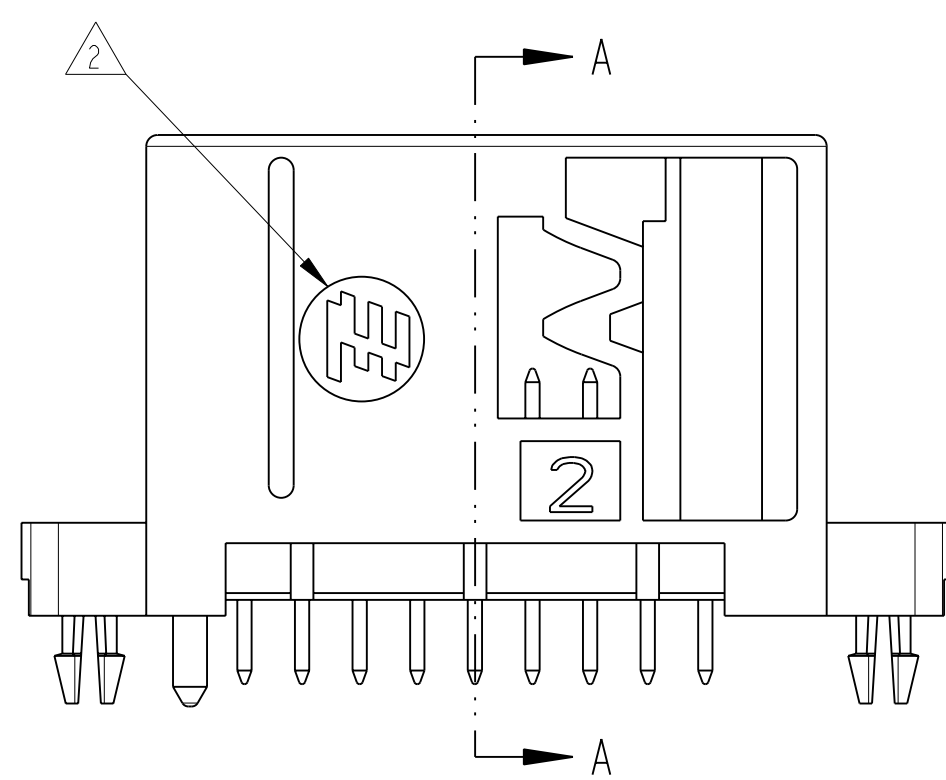
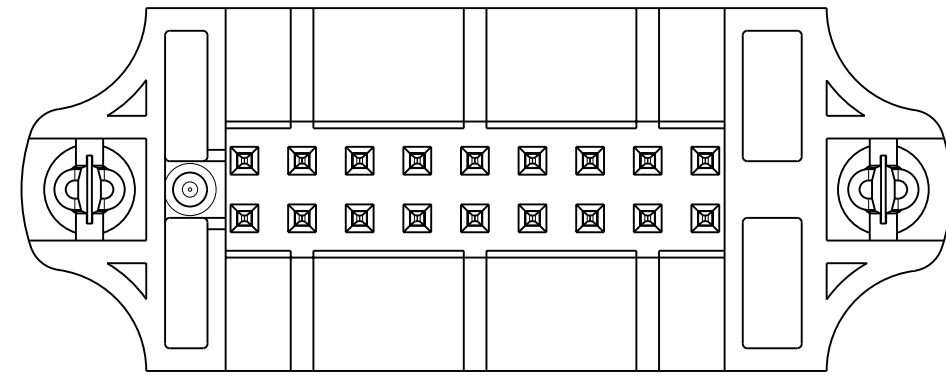


THIS DRAWING IS UNPUBLISHED. RELEASED FOR PUBLICATION 20
 © COPYRIGHT 20 BY TYCO ELECTRONICS CORPORATION. ALL RIGHTS RESERVED.

| LOC | DIST | REVISIONS | | | | | |
|-----|------|-----------|-----|-------------|------|-----|------|
| F | 7 | P | LTR | DESCRIPTION | DATE | DWN | APVD |
| | | - | | SEE SHEET 1 | | | |
| | | | | | | | |
| | | | | | | | |

OTHER DESIGN ACCEPTED AVAILABLE FOR ALL VERSIONS
 (AUTRES DESIGN ACCEPTES VALABLES POUR TOUTES LES VERSIONS)



FOR ALL OTHER DIMENSIONS AND SHAPES SEE SHEET 1/2
 (POUR LES AUTRES DIMENSIONS ET FORMES VOIR FEUILLE 1/2)

| | | | | |
|--|--|------------------------------|--|------------------------------|
| THIS DRAWING IS A CONTROLLED DOCUMENT FOR TYCO ELECTRONICS CORPORATION IT IS SUBJECT TO CHANGE AND THE CONTROLLING ENGINEERING ORGANIZATION SHOULD BE CONTACTED FOR THE LATEST REVISION. | | DWN A. DUPUIS 20AUG09 | Tyco Electronics AMP DE FRANCE 95301 PONTOISE | |
| DIMENSIONS: mm | | CHK J. LALANGE 20AUG09 | NAME EMBASE 18W MQS DROITE AVEC BL 18 W MQS STRAIGHT HEADER WITH BL (18W MQS STRAIGHT HEADER WITH BL) | |
| TOLERANCES UNLESS OTHERWISE SPECIFIED: 0 PLC ±- 1 PLC ±- 2 PLC ±- 3 PLC ±0.3 4 PLC ±- ANGLES ±5° | | APVD JJ REVII 20AUG09 | PRODUCT SPEC - APPLICATION SPEC - | |
| MATERIAL - | | FINISH - | WEIGHT - | RESTRICTED TO - |
| | | SIZE A2 | CAGE CODE 00779 | DRAWING NO 953264 |
| | | CUSTOMER DRAWING | | SCALE 3:1 SHEET 2 OF 2 REV H |