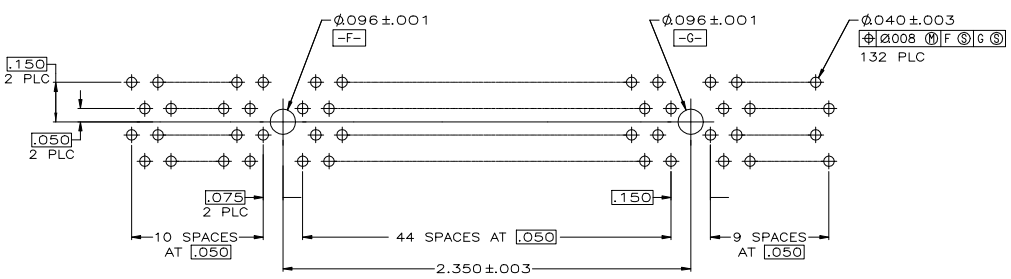
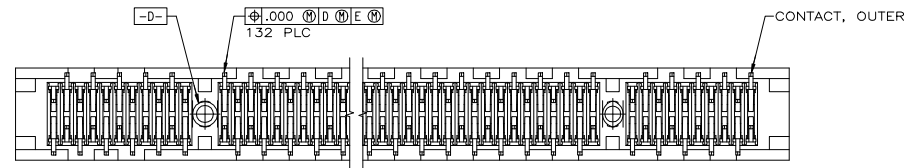
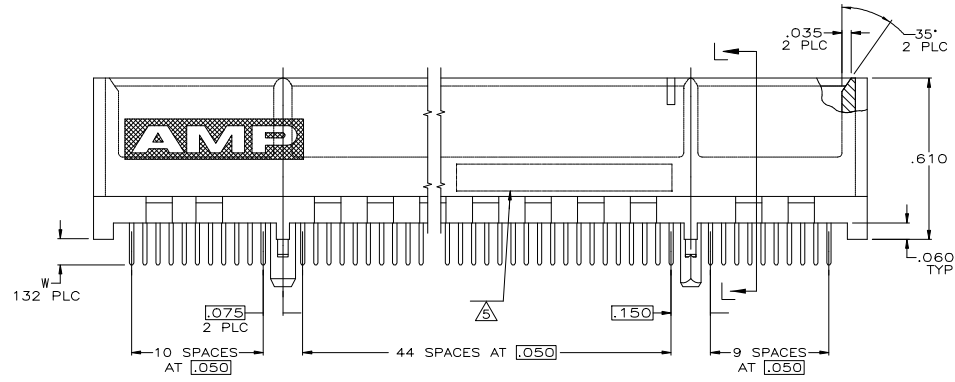
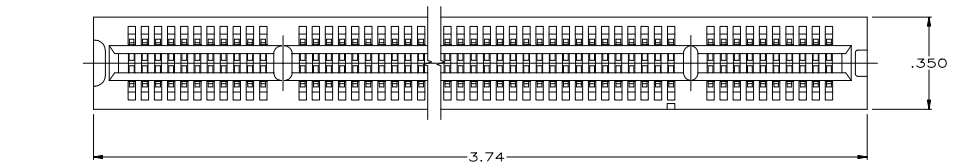
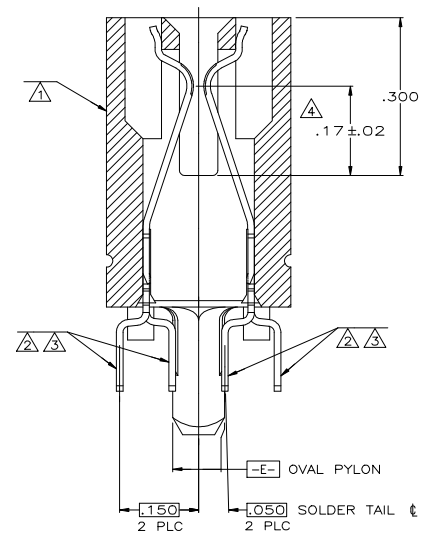


REVISIONS				
REV	DATE	DESCRIPTION	BY	APP'D
B1	ECC-19-002911		25FEB2019	AL HL

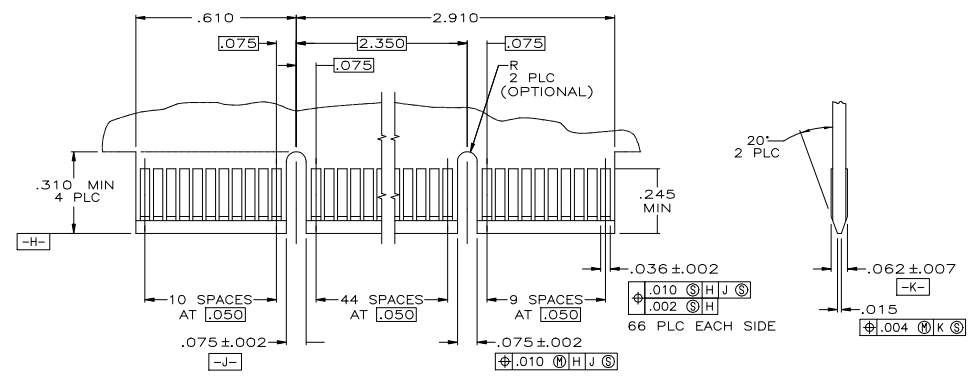


RECOMMENDED CONNECTOR MOUNTING HOLE PATTERN (CONNECTOR SIDE SHOWN)



SECTION L-L  
SCALE 8:1

- △ HOUSING: HIGH TEMPERATURE THERMOPLASTIC. COLOR: BROWN.
- △ CONTACT: PHOSPHOR BRONZE.
- △ CONTACT FINISH: .000100 MIN NICKEL ALL OVER, .000030 MIN GOLD OVER NICKEL IN CONTACT AREA, .000100 MIN MATTE TIN OVER NICKEL ON SOLDER TAILS.
- △ DISTANCE FROM CONTACT POINT TO BOTTOM OF CARD SLOT.
- △ AMP PART NUMBER, DATE CODE AND CSA LOGO MARKED IN APPROXIMATE AREA SHOWN.



RECOMMENDED MATING BOARD EDGE CONFIGURATION

OBSELETE

.14	5650091-2
.10	5650091-1
W	PART NUMBER

THIS DRAWING IS A CONTROLLED DOCUMENT		DRN: AL FRANTUM 14 MAR 05	DATE: 14 MAR 05	REV: 1
TO: FRANKLIN		DR: AL FRANTUM	NAME: AL FRANTUM	
DIMENSIONS: INCHES		PRODUCT SPEC: 108-14034	TE Connectivity Ltd.	
TOLERANCE UNLESS OTHERWISE SPECIFIED:		POPULATION SPEC: 114-26012	CONNECTOR ASSEMBLY	
0 PLC ± .000	1 PLC ± .000	2 PLC ± .000	66 DUAL POSITION	
3 PLC ± .000	4 PLC ± .000	ANGLES ± .5°	.050 SERIES STANDARD EDGE	
FINISH: - 2		WEIGHT: 0.000000	SIZE: A1	DATE CODE: 00779
MATERIAL: - 2		CUSTOMER DRAWING	SCALE: 4:1	RESTRICTED TO: -
			SHEET: 1	REV: B1