

5

4

3

2

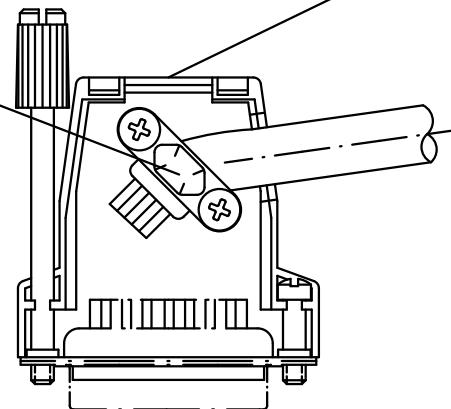
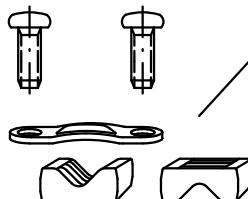
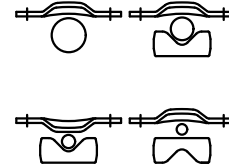
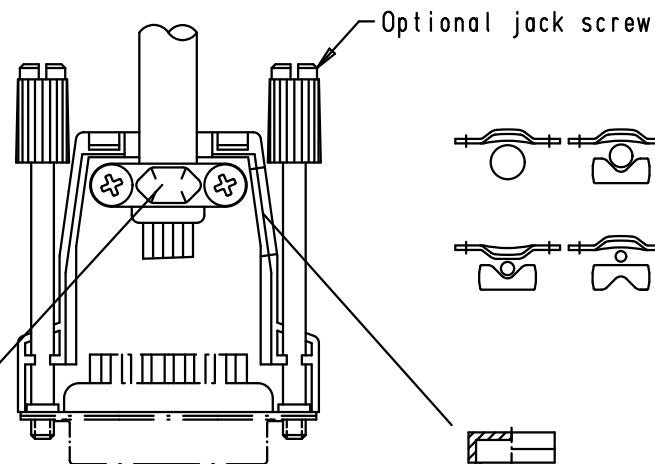
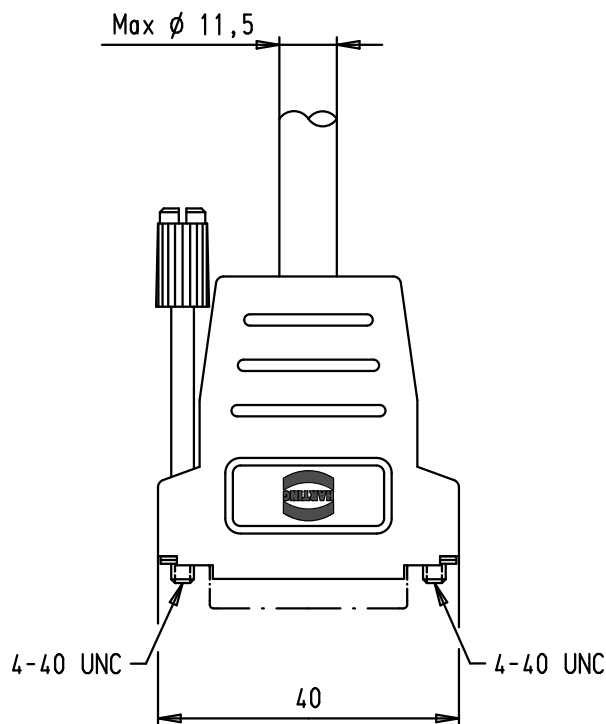
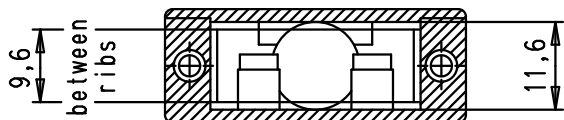
1

D



C

B

A



Cover in place of grommet

				Dot.	Name	 All Dim. in mm Orig. Size DIN A 4	D-Sub, top and side entry hood with knurled screws, 15 poles, thermoplastic black	Maßstab/ Scale 1:1	
				Detail.	28/03/02				CV
				Insp.					
				Stand.					
34784	13/02/08	PK	HARTING EURL				TB 09 67 015 0434	Blatt/ Page 1 / 1	
29760	28/03/02	CV	F-95972 Paris						
Mod.	Dot.	Name							