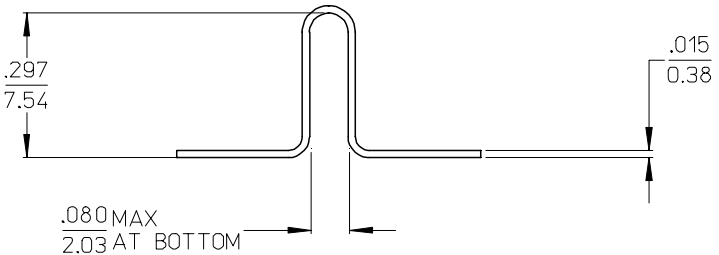
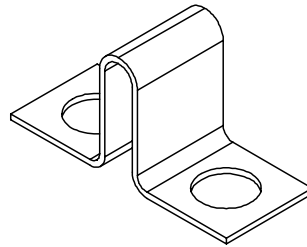
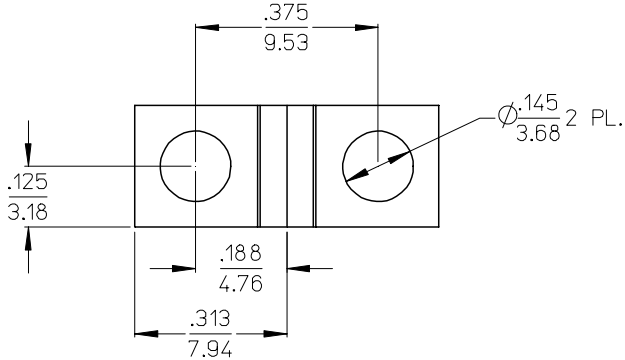


10 9 8 7 6 5 4 3 2 1

F  
E  
D  
C  
B  
A



- NOTES:
1. MATERIAL: BRASS (.015/0.38 THICK)
  2. FINISH: SEE TABLE
  3. ALL DIMENSIONS ARE IN INCHES/MM

380021226	7231	BRASS	NICKEL PLATE
380021225	7204-1401-A110	BRASS	PLAIN (UNPLATED)
MATERIAL NO.	ENGINEERING NO.	MATERIAL	FINISH

ADD MATERIAL NO. EC NO: ETC2006-0270 DRWN: CYORK 2006/02/27 CHKD: RDEROSS 2006/02/27 APPR: RDEROSS 2006/02/28	QUALITY SYMBOLS ▽=0 ▽=0	GENERAL TOLERANCES (UNLESS SPECIFIED)		DIMENSION STYLE	SCALE	DESIGN UNITS	THIRD ANGLE PROJECTION
				IN/MM	4:1	INCH	
		4 PLACES ± --- ±.0015	DRAWN BY	DATE	JUMPER TERMINAL HOLE TYPE		
		3 PLACES ±0.038 ±.005	ASAYDEH	06/02/06			
2 PLACES ±0.13 ±.01	CHECKED BY	DATE	MOLEX INCORPORATED				
1 PLACE ±0.3 ±.1	JLOMASTRO	06/02/06					
ANGULAR ±1/2°	APPROVED BY	DATE	MATERIAL NO.	DOCUMENT NO.	SHEET NO.		
	RDEROSS	06/02/06	SEE CHART	SD-38002-038	1 OF 1		
DRAFT WHERE APPLICABLE MUST REMAIN WITHIN DIMENSIONS		THIS DRAWING CONTAINS INFORMATION THAT IS PROPRIETARY TO MOLEX INCORPORATED AND SHOULD NOT BE USED WITHOUT WRITTEN PERMISSION					

9 8 7 6 5 4 3 2 1