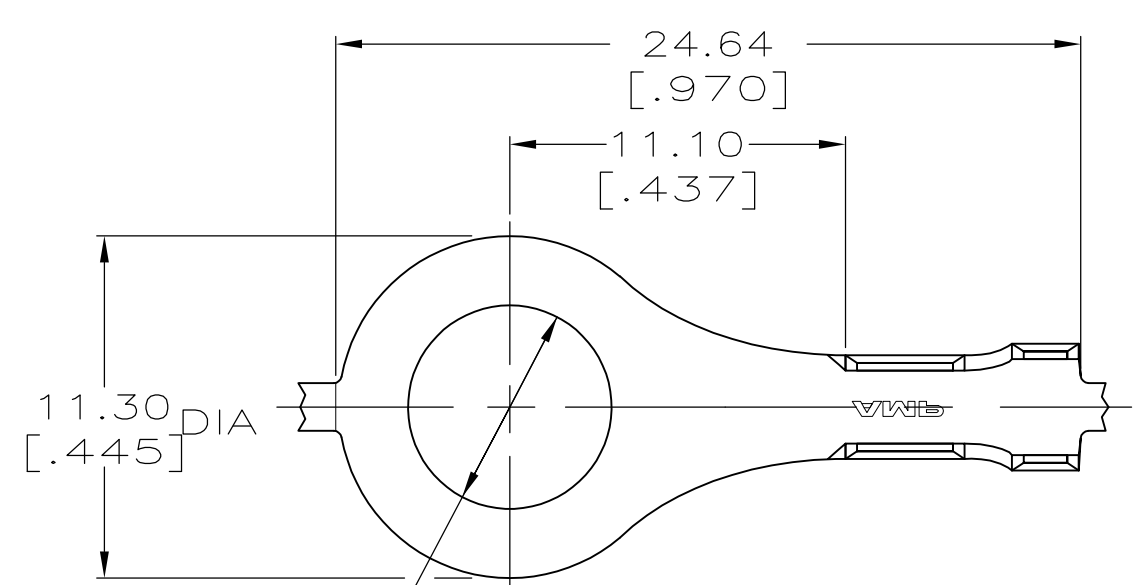
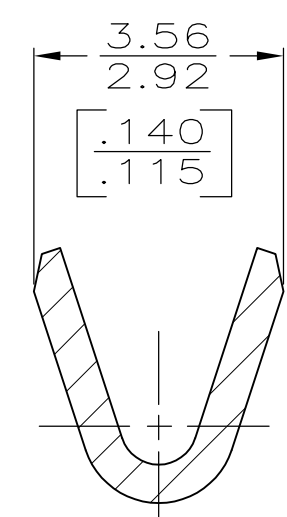
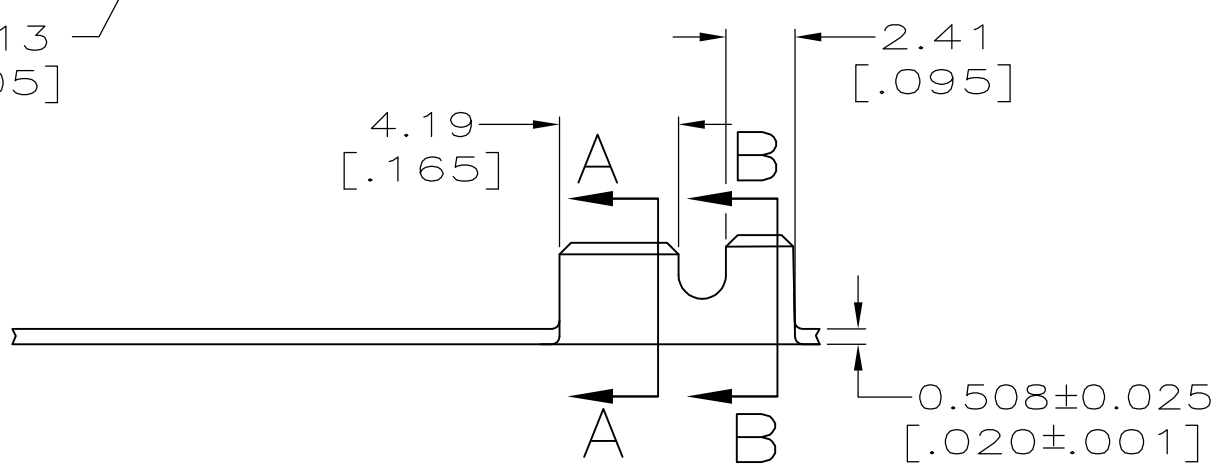


THIS DRAWING IS UNPUBLISHED. RELEASED FOR PUBLICATION
 © COPYRIGHT BY TYCO ELECTRONICS CORPORATION. ALL INTERNATIONAL RIGHTS RESERVED.

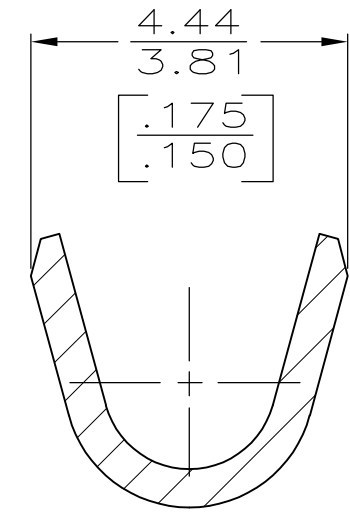
LOC	DIST	REVISIONS			
P	LTR	DESCRIPTION	DATE	DWN	APVD
AF	50	B	REVISED PER ECR-10-006099	07JUL10	HMR PD



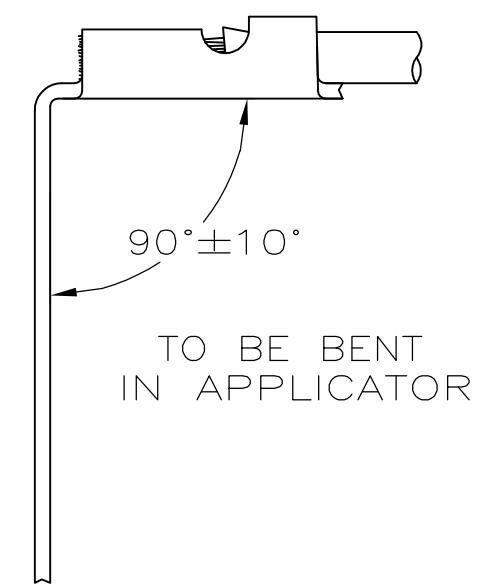
1. CONTINUOUS STRIP ON REEL.



SECTION A-A
SCALE 10:1



SECTION B-B
SCALE 10:1



2.03-3.05 [.080-.120] DIA	[20-16] AWG	1217046-1
INSULATION RANGE	WIRE RANGE	PART NUMBER

THIS DRAWING IS A CONTROLLED DOCUMENT.		DWN 18/DEC/97 PHILLIP M FORTNEY	Tyco Electronics Corporation Harrisburg, PA 17105-3608				
DIMENSIONS: mm [INCHES]	TOLERANCES UNLESS OTHERWISE SPECIFIED:	CHK 18/DEC/97 MICHAEL S FEHER	NAME				
	0 PLC ± -	APVD 18/DEC/97 GARY YETTER	PRODUCT SPEC				
	1 PLC ± -	PRODUCT SPEC	APPLICATION SPEC				
MATERIAL	FINISH	2 PLC ± 0.25 [.010]	SIZE	CAGE CODE	DRAWING NO	RESTRICTED TO	
		3 PLC ± -	082 BRASS	TIN	A3 00779	C-1217046	-
		4 PLC ± -	CUSTOMER DRAWING		SCALE 4:1	SHEET 1 OF 1	REV B
		ANGLES ± -					