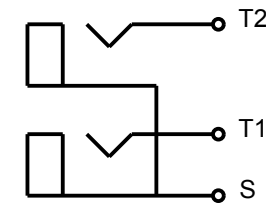
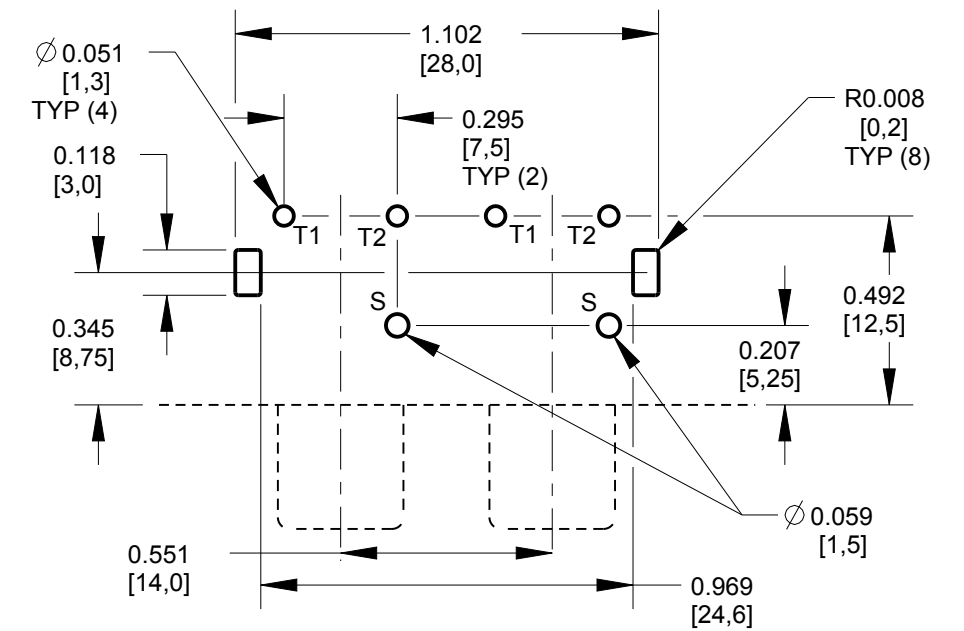


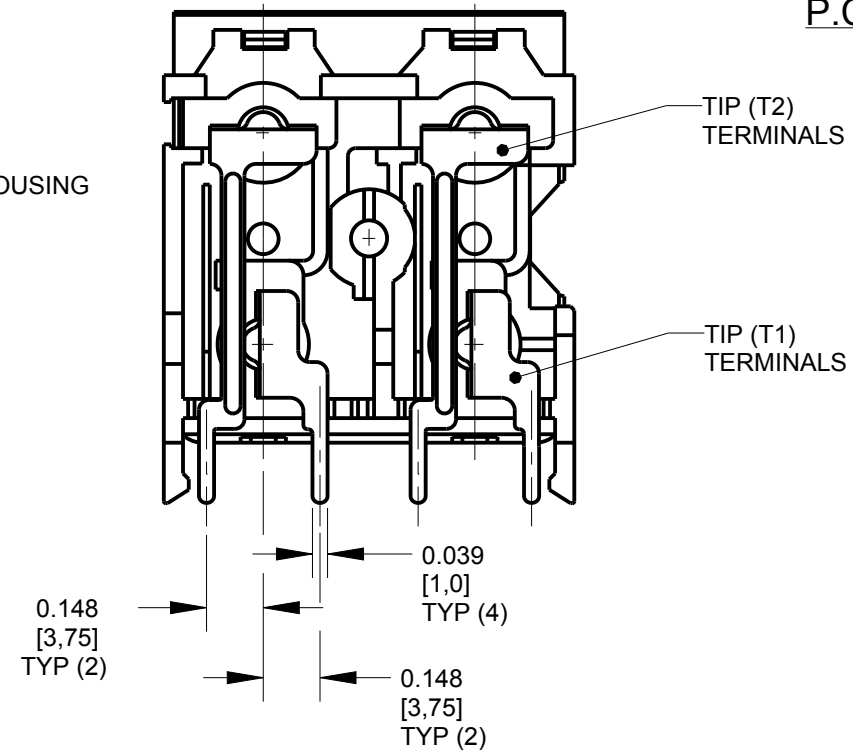
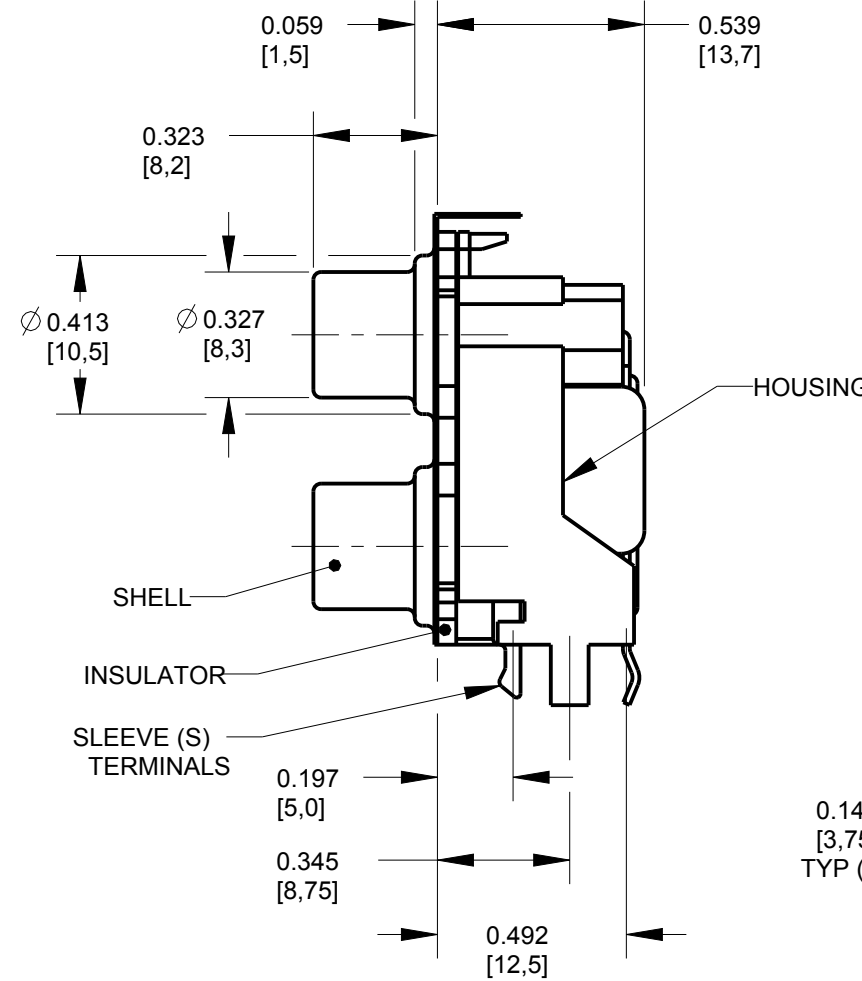
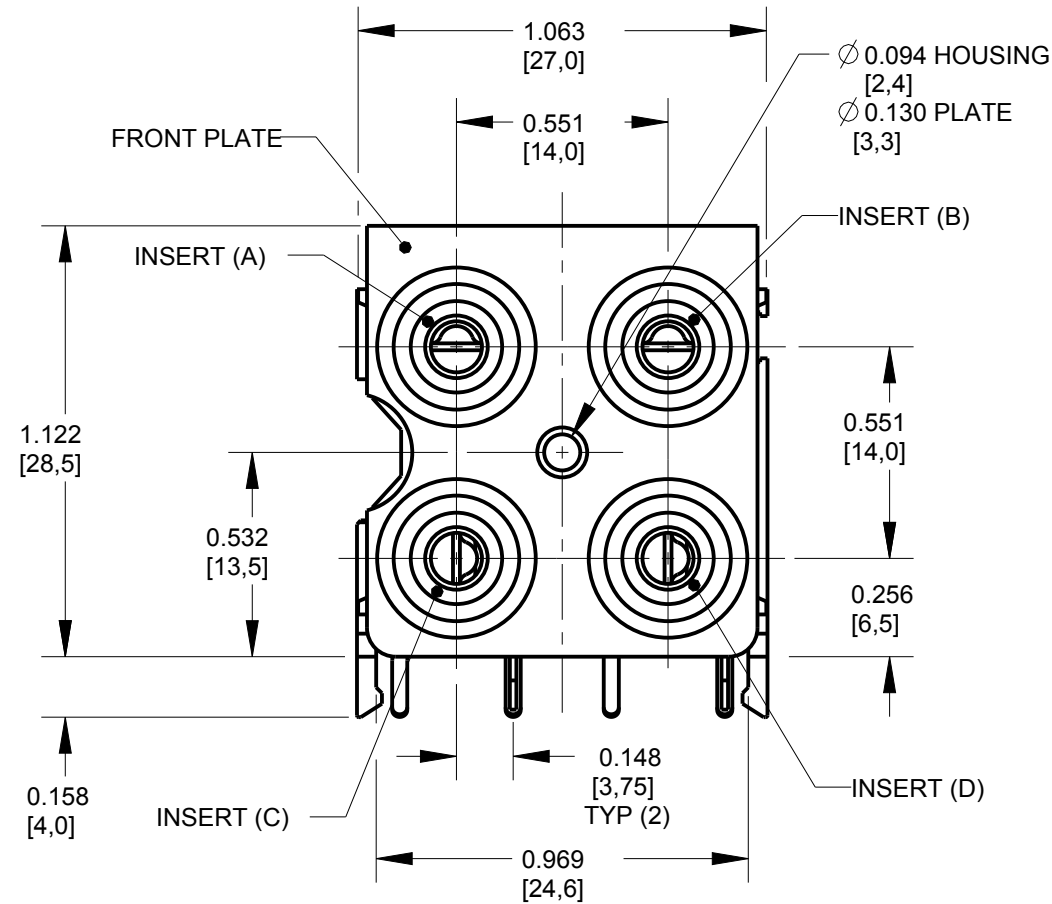
| PART NUMBER | INSERT COLOR | INSERT COLOR | SHELL AND SLEEVE TERMINAL FINISH | TIP TERMINAL FINISH | FRONT PLATE FINISH |
|-------------------|--------------|--------------|----------------------------------|---------------------|--------------------|
| | A | B | | | |
| PJRAS2X2S01X | WHITE | WHITE | NICKEL PLATED | TIN PLATED | NICKEL PLATED |
| | RED | RED | | | |
| PJRAS2X2S01AUX | WHITE | WHITE | GOLD PLATED | TIN PLATED | NICKEL PLATED |
| | RED | RED | | | |
| PJRAS2X2S01AUALLX | WHITE | WHITE | GOLD PLATED | GOLD PLATED | GOLD PLATED |
| | RED | RED | | | |



SCHEMATIC
TYP (2) JACKS



P.C. BOARD LAYOUT
COMPONENT SIDE



NOTES:

- ALL DIMENSIONS ARE REFERENCE.
 - MATERIALS:
 - B** HOUSING: ABS OR PBT, UL-94HB, BLACK
 - B** COLOR INSERT: POM OR PBT, UL-94HB
 - B** INSULATOR: POM OR PBT, UL-94HB
 - THIS PART IS RoHS COMPLIANT
- SHELL & SLEEVE TERMINALS: COPPER ALLOY, SEE TABLE
TIP TERMINALS: COPPER ALLOY, SEE TABLE
FRONT PLATE: COPPER ALLOY, SEE TABLE

CUSTOMER DRAWING

| REVISIONS | | | | | ☆ STAR SYMBOL DENOTES CRITICAL DIMENSION UNLESS OTHERWISE SPECIFIED 1. ALL DIMENSIONS IN INCHES -TWO PLACE DECIMALS ±0.01 -THREE PLACE DECIMALS ±0.005 -ANGLES ±1° -ALL DIA. CONCENTRIC WITHIN 0.005 T.I.R. 2. FEATURES ON THE SAME CENTERLINE MUST BE ALIGNED WITHIN ±0.002 3. REMOVE ALL BURRS DO NOT SCALE DRAWING | THIS DRAWING DESCRIBES A DESIGN CONSIDERED PROPRIETARY IN NATURE, DEVELOPED AND MANUFACTURED BY SWITCHCRAFT INC. AND IS RELEASED ON A CONFIDENTIAL BASIS FOR IDENTIFICATION PURPOSES ONLY. | | | | |
|-----------|------------|------|----|------|--|--|--|--|--|--|
| REV | ECO NUMBER | DATE | BY | APVD | | SIZE WIDTH MULT LBS/M TEMPER FINISH SPEC No. FIRST USED ON SCALE 2:1 DATE DRAWN BY CHKD APVD 13-Jan-06 JL TJK TJK 1-13-06 1-13-06 NAME PHONO JACK, RIGHT ANGLE, 4 POS. SCREW MOUNT, SHIELDED, RoHS | MATERIAL SPEC No. Switchcraft SHEET 1 OF 1 PART No. PJRAS2X2S__X SERIES REV B | | | |