

Power Supply IC Series for TFT-LCD Panels

12V Input Multi-channel System Power Supply IC


BD8160AEFV

No.09035EBT01

●Description

The BD8160AEFV is a system power supply for the TFT-LCD panels used for liquid crystal TVs.

Incorporates two high-power FETs with low on resistance for large currents that employ high-power packages, thus driving large current loads while suppressing the generation of heat. A charge pump controller is incorporated as well, thus greatly reducing the number of application components.

●Features

- 1) Step-up and step-down DC/DC converter
- 2) Incorporates 2.6 A N-channel FET.
- 3) Incorporates positive/negative charge pumps.
- 4) Input voltage limit: 8 V to 18 V
- 5) Feedback voltage: 1.162 V \pm 1%
- 6) Switching frequency: 500 kHz / 750kHz
- 7) Protection circuit: Under voltage lockout protection circuit
Thermal shutdown circuit
Overcurrent protection circuit
Short Circuit Protection
Overvoltage protection circuit for VS voltage (Boost DC/DC output)
- 8) HTSSOP-B28 Package

●Applications

Power supply for the TFT-LCD panels used for LCD TVs

●Absolute maximum ratings (Ta = 25°C)

Parameter	Symbol	Rating	Unit
Supply Voltage	SUP,VIN	20	V
Power Dissipation	Pd	4700*	mW
Operating Temperature Range	Topr	-40~+85	°C
Storage Temperature Range	Tstg	-55~+150	°C
Junction Temperature	Tjmax	150	°C
SW Voltage	Vsw	21	V
SWB Voltage	Vswb	19	V
EN1,EN2 Voltage	VEN1,VEN2	19	V

* Derating is done 37.6mW/°C for operating above Ta \geq 25°C(On 4-layer 70.0mm \times 70.0mm \times 1.6mm board)

●Recommendable Operation Range (Ta=25°C)

Parameter	Symbol	Limits			Unit
		Min	Typ	Max	
Supply Voltage	SUP,VIN	8	12	18	V
Vs Voltage	Vs	VIN+2	15	18	V
Switch current for SW	IsW	—	—	2.6**	A
Switch current for SWB	IsWB	—	—	2.0**	A
EN1,EN2,FREQ Voltage	VEN1,VEN2,VFREQ	—	—	18	V

** Pd, ASO should not be exceeded

● Electrical characteristics (unless otherwise specified VIN=12V and Ta=25°C)

1. DC/DC converter controller block

Parameter	Symbol	Limits			Unit	Conditions
		Min	Typ	Max		
Soft start – SS						
SS source current	I _{SS}	6	10	14	μA	V _{SS} =0.5V
Error amplifier block – FB and FBB						
FB and FBB input bias current	I _{FB12}	-	0.1	2	μA	
Feedback voltage for boost converter	V _{FB}	1.150	1.162	1.174	V	Voltage follower
Feedback voltage for buck converter	V _{FBB}	1.188	1.213	1.238	V	
SW block – SW						
On resistance N-channel	R _{ONN}	-	0.2	0.3	Ω	I _O =0.8A
Leak current N-channel	I _{LEAKN1}	-	0	10	μA	V _{SW} =18V
Switch current limit for SW	I _{SW}	2.6	-	-	A	
Maximum duty cycle	M _{DUTY}	75	90	97	%	FB= 0V
SW block – SWB						
On resistance N-channel	R _{ONH}	-	0.2	0.3	Ω	I _O =0.8A
Leak current N-channel	I _{LEAKN2}	-	0	10	μA	V _{INB} =18V , V _{SWB} =0V
Switch current limit for SWB	I _{SWB}	2.0	-	-	A	
Protections						
Over Voltage Protection for SW	V _{SWOVP}	18.5	19	19.5	V	

2. Charge pump driver block

Parameter	Symbol	Limits			Unit	Conditions
		Min	Typ	Max		
Error amplifier block – FBP and FBN						
FBP, FBN input bias current	I _{FBP} , I _{FBN}	-	0.1	1	μA	
Feedback voltage for VGH	V _{FBP}	1.188	1.213	1.238	V	
Feedback voltage for VGL	V _{FBN}	0.18	0.2	0.22	V	
Delay start block						
DLY1, DLY2 source current	I _{DLY1} , I _{DLY2}	2	5	9	μA	V _{DLY} =0.5V
DRP, DRN block						
On resistance N-channel	R _{ONN}	-	5	-	Ω	I _O =20mA
On resistance P-channel	R _{ONP}	-	3	-	Ω	I _O =20mA

● Electrical characteristics (unless otherwise specified VIN=12V and Ta=25°C)

3. General

Parameter	Symbol	Limits			Unit	Conditions
		Min	Typ	Max		
Supply current						
Average supply current	I _{CC}	-	5	8	mA	
Oscillator						
Oscillation frequency1	F _{OSC1}	600	750	900	kHz	FREQ = High
Oscillation frequency2	F _{OSC2}	400	500	600	kHz	FREQ = low
Protections						
Under voltage lockout threshold1	V _{UVLO1}	6.9	7.4	7.9	V	VIN rising
Under voltage lockout threshold2	V _{UVLO2}	6.5	7.0	7.5	V	VIN falling
Thermal Shutdown	T _{TSD}	-	175	-	°C	*1
Short Circuit Protection Time 1	T _{SCP1}	153	219	285	ms	FREQ = High
Short Circuit Protection Time 2	T _{SCP2}	230	328	426	ms	FREQ = Low
FB threshold1 for SCP	V _{FBSCP1}	0.985	1.065	1.145	V	FB rising
FB threshold2 for SCP	V _{FBSCP2}	-	0.969	-	V	FB falling
FBB threshold1 for SCP	V _{FBBSCP1}	-	1.055	-	V	FBB rising
FBB threshold2 for SCP	V _{FBBSCP2}	-	0.874	-	V	FBB falling
FBP threshold1 for SCP	V _{FBPSCP1}	-	0.967	-	V	FBP rising
FBP threshold2 for SCP	V _{FBPSCP2}	-	0.859	-	V	FBP falling
FBN threshold1 for SCP	V _{FBNSCP1}	-	0.406	-	V	FBN falling
FBN threshold2 for SCP	V _{FBNSCP2}	-	0.505	-	V	FBN rising
Reference Voltage						
Reference Voltage	V _{REF}	1.188	1.213	1.238	V	
Gate Drive						
Gate drive threshold	V _{GD}	0.985	1.065	1.145	V	
GD output low voltage	V _{OL}	-	0.7	1.4	V	I=1mA
GD output leakage current	I _{LK}	-	0	10	μA	
Logic signals EN1, EN2, FREQ						
High level input voltage	V _{IH}	2.0	-	-	V	
Low level input voltage	V _{IL}	-	-	0.8	V	

* This product is not designed for protection against radioactive rays.

●Reference Data (Unless otherwise specified, Ta = 25°C)

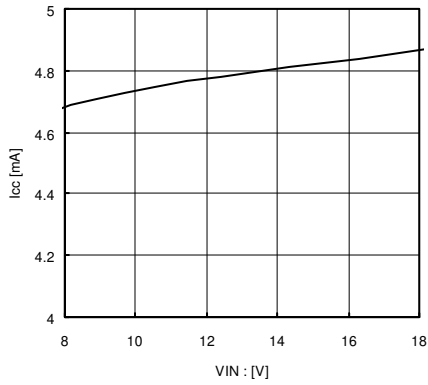


Fig.1 SUPPLY CURRENT

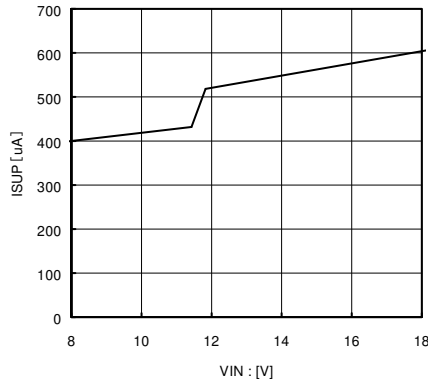


Fig.2 SUPPLY CURRENT

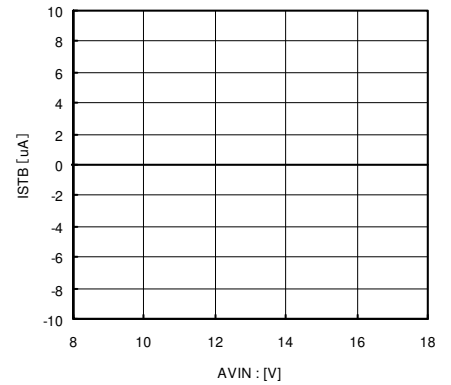


Fig.3 STANDBY CURRENT

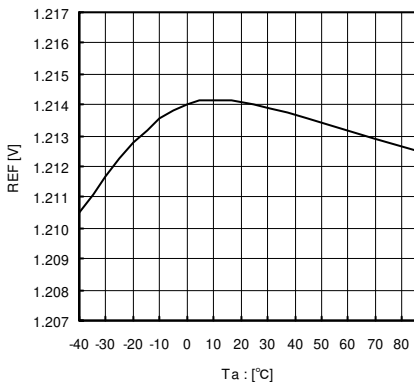


Fig.4 REF VOLTAGE

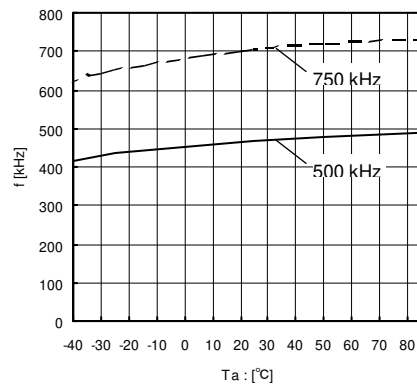


Fig.5 SWITCHING FREQUENCY

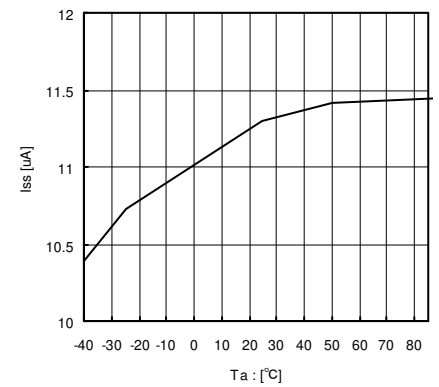


Fig.6 SS SOURCE CURRENT

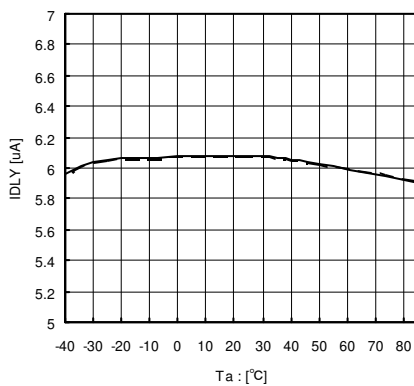


Fig.7 DLY1,2 SOURCE CURRENT

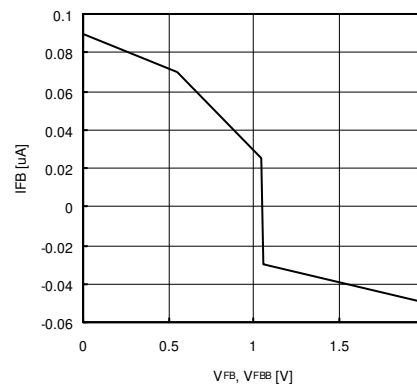


Fig.8 INPUT BIAS CURRENT

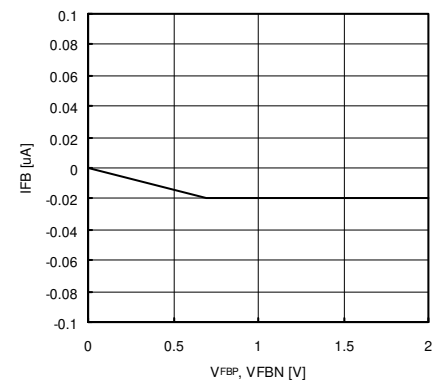


Fig.9 INPUT BIAS CURRENT

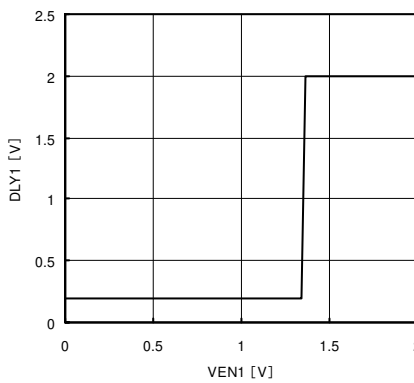


Fig.10 EN1 THRESHOLD VOLTAGE

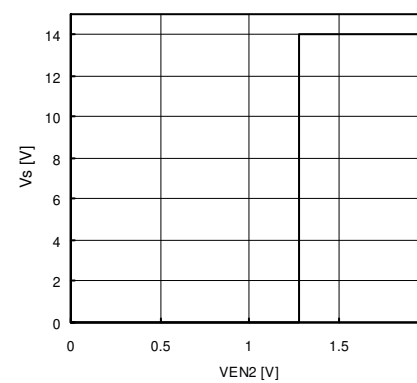


Fig.11 EN2 THRESHOLD VOLTAGE

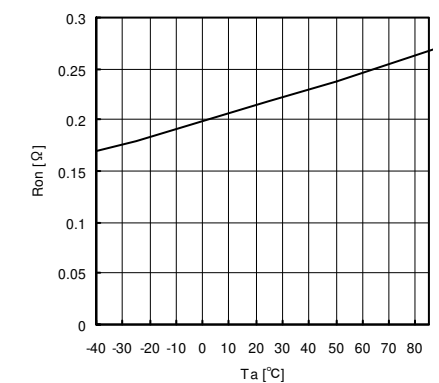


Fig.12 SW ON RESISTANCE

●Reference Data (Unless otherwise specified, Ta = 25°C)

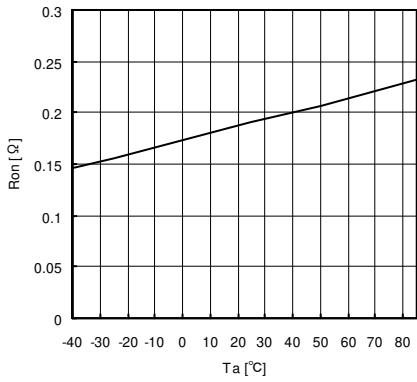


Fig.13 SWB ON RESISTANCE

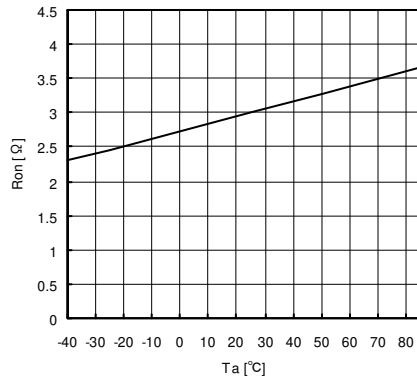


Fig.14 DRP ON RESISTANCE

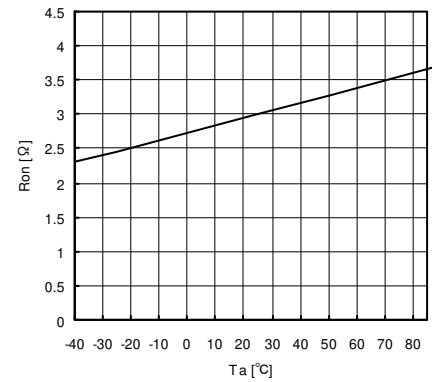


Fig.15 DRN ON RESISTANCE

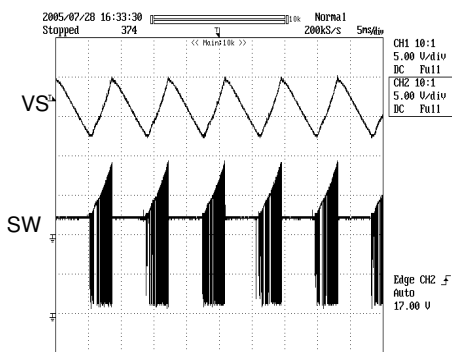


Fig.16 OVP WAVEFORM

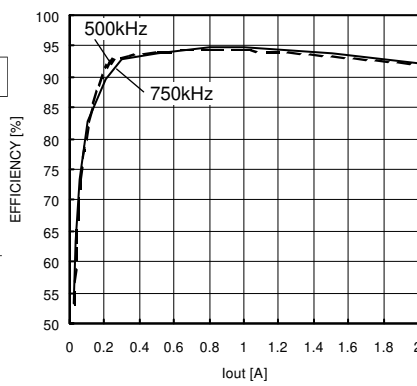


Fig.17 STEP UP EFFICIENCY

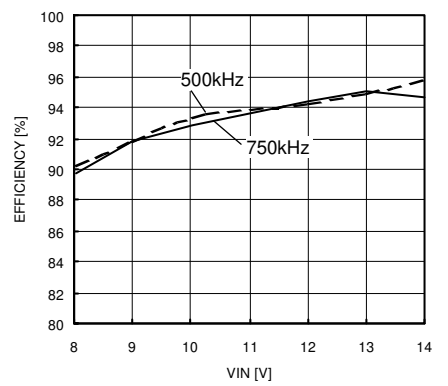


Fig.18 STEP UP EFFICIENCY

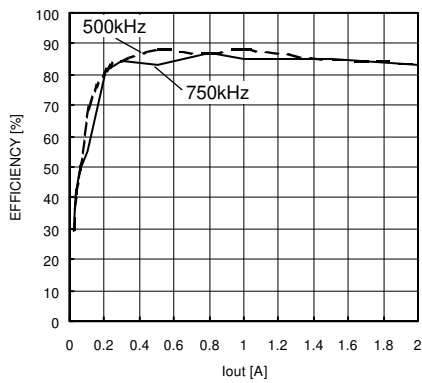


Fig.19 STEP DOWN EFFICIENCY

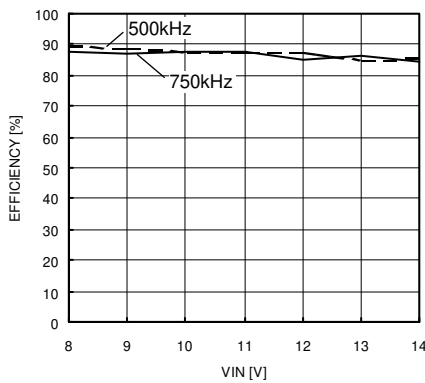


Fig.20 STEP DOWN EFFICIENCY

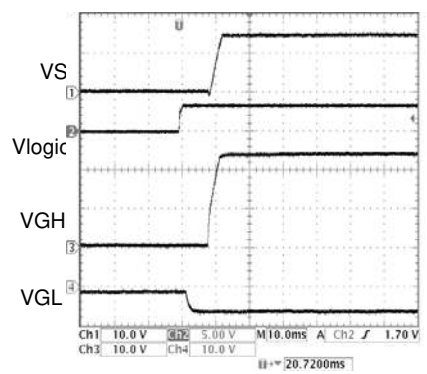


Fig.21 START UP WAVEFORM

●Block Diagram

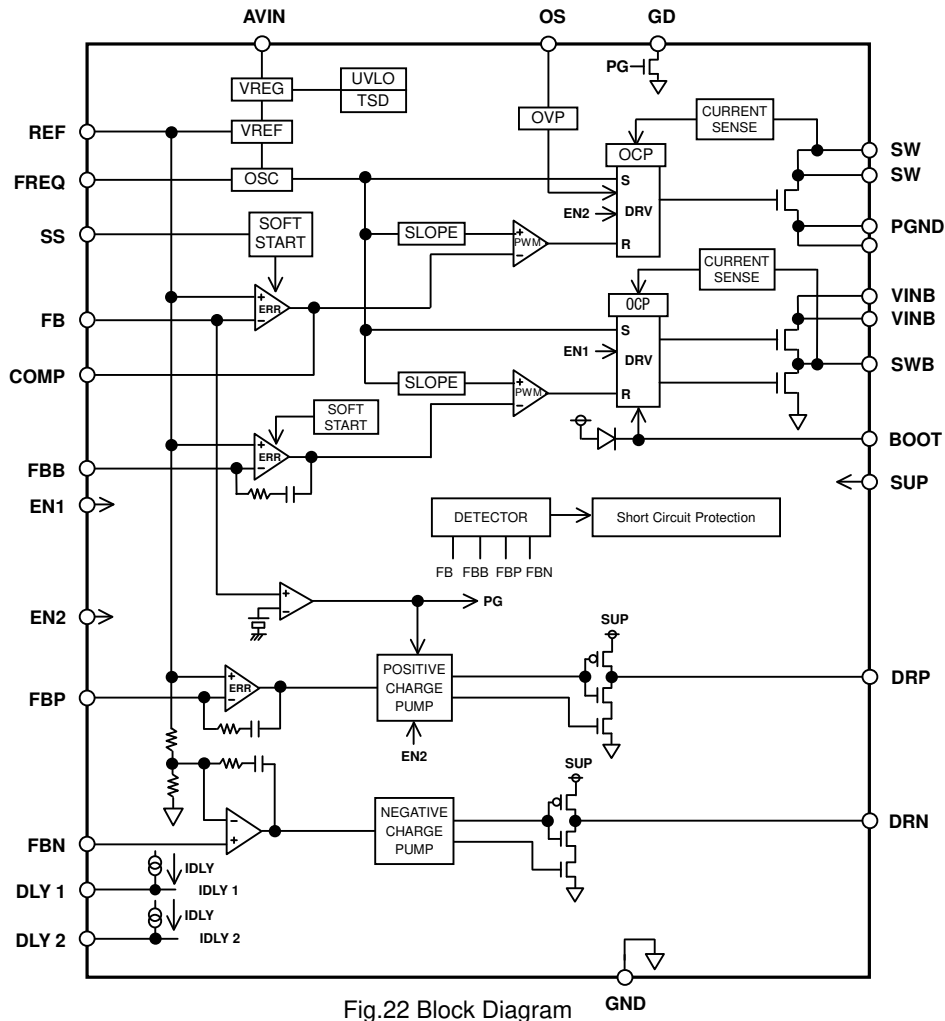
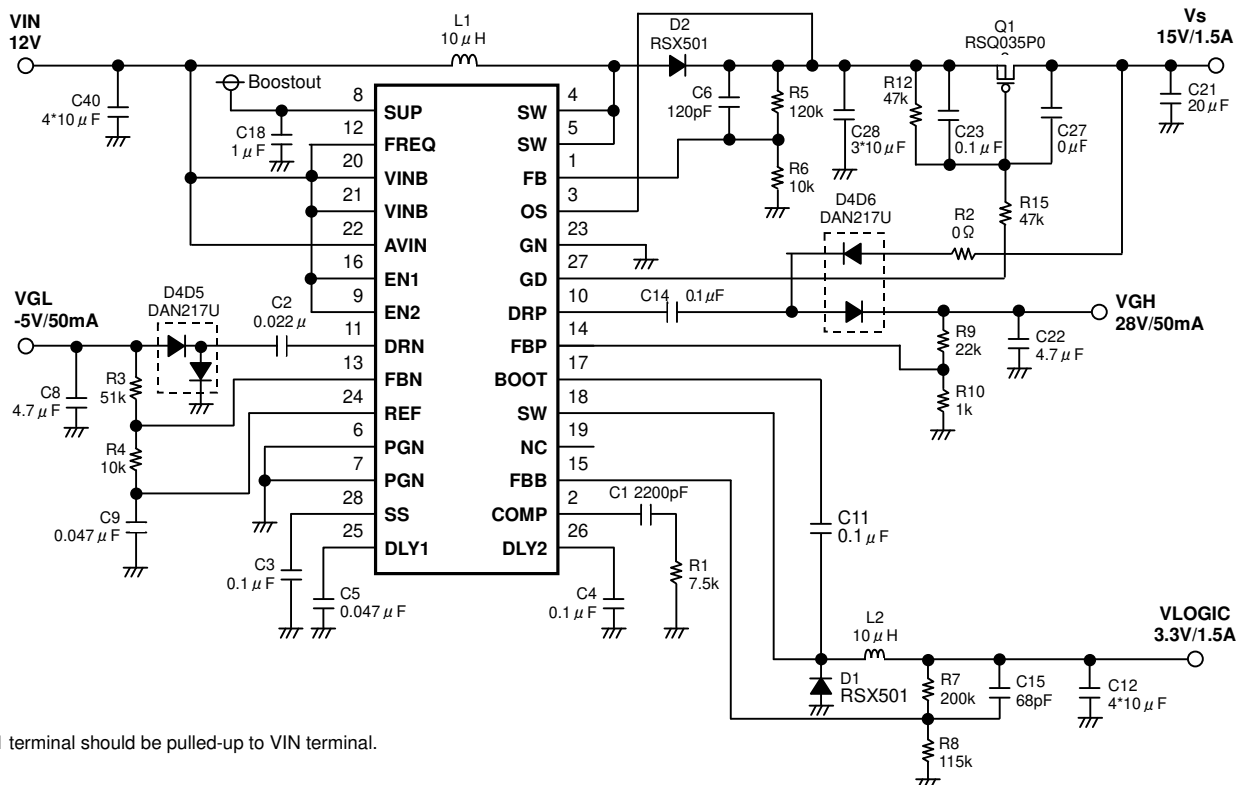


Fig.22 Block Diagram

●Typical Application



○ EN1 terminal should be pulled-up to VIN terminal.

Fig.23 Typical Application

● Pin Assignment Diagram

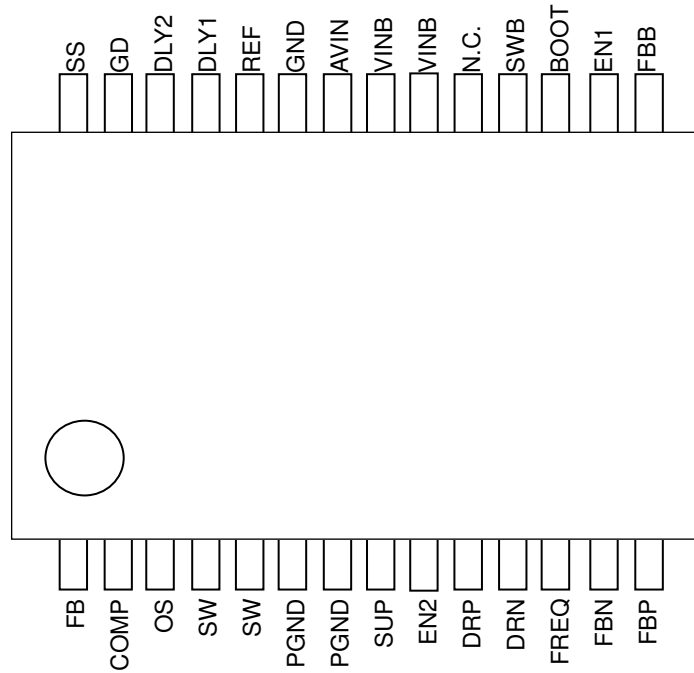


Fig. 24 Pin Assignment Diagram

● Pin Assignment and Pin Function

Pin No.	Pin name	Function	Pin No.	Pin name	Function
1	FB	Feedback input 1 for VS	15	FBB	Feedback input for Vlogic
2	COMP	Error amp output	16	EN1	Enable pin for Vlogic and VGL
3	OS	Output sense pin	17	BOOT	Capacitance connection pin for booting
4	SW	Switching pin for VS	18	SWB	Switching pin for Vlogic
5	SW	Switching pin for VS	19	N.C.	Non-connect pin
6	PGND	Ground pin	20	VINB	Power supply input pin
7	PGND	Ground pin	21	VINB	Power supply input pin
8	SUP	Power supply input pin	22	AVIN	Power supply input pin
9	EN2	Enable pin for VS and VGH	23	GND	Analog Ground pin
10	DRP	Switching pin for VGH	24	REF	Internal reference output pin
11	DRN	Switching pin for VGL	25	DLY1	Delay start capacitance connection pin for VGL
12	FREQ	Frequency	26	DLY2	Delay start capacitance connection pin for VS
13	FBN	Feedback input 1 for VGL	27	GD	Gate drive pin for load switch
14	FBP	Feedback input 1 for VGH	28	SS	Soft start capacitance connection pin for VS

●Block Operation

- VREG
A block to generate constant-voltage for DC/DC boosting.
- VREF
A block that generates internal reference voltage of 2.9 V (Typ.).
- TSD/UVLO
TSD (Thermal shutdown)/UVLO (Under Voltage Lockout) protection block. The TSD circuit shuts down IC at 175°C (Typ.)
The UVLO circuit shuts down the IC when the Vcc is 7 V (Typ.) or below.
- Error amp block (ERR)
This is the circuit to compare the reference voltage and the feedback voltage of output voltage. The COMP pin voltage resulting from this comparison determines the switching duty. At the time of startup, since the soft start is operated by the SS pin voltage, the COMP pin voltage is limited to the SS pin voltage.
- Oscillator block (OSC)
This block generates the oscillating frequency.
- SLOPE block
This block generates the triangular waveform from the clock created by OSC. Generated triangular waveform is sent to the PWM comparator.
- PWM block
The COMP pin voltage output by the error amp is compared to the SLOPE block's triangular waveform to determine the switching duty. Since the switching duty is limited by the maximum duty ratio which is determined internally, it does not become 100%.
- DRV block
A DC/DC driver block. A signal from the PWM is input to drive the power FETs.
- CURRENT SENSE
Current flowing to the power FET is detected by voltage at the CURRENT SENSE and the overcurrent protection operates at 2.0/2.6A (min.). When the overcurrent protection operates, switching is turned OFF and the SS pin capacitance is discharged.
- DELAY START
A start delay circuit for positive/negative charge pump and Boost converter.
- Soft start circuit
Since the output voltage rises gradually while restricting the current at the time of startup, it is possible to prevent the output voltage overshoot or the rush current.
- Positive charge pump
A controller circuit for the positive-side charge pump. The switching amplitude is controlled so that the feedback voltage FBP will be set to 1.213 V (Typ.).
The start delay time can be set in the DLY2 pin at the time of startup. When the DLY2 voltage reaches 0.65 V (Typ.), switching waves will be output from the DRP pins.
- Negative charge pump
A controller circuit for the negative-side charge pump. The switching amplitude is controlled so that the feedback voltage FBN will be set to 0.2 V (Typ.).
The start delay time can be set in the DLY1 pin at the time of startup. When the DLY2 voltage reaches 0.65 V (Typ.), switching waves will be output from the DRN pins.
- Over Voltage protection of the Boost Converter
The boost converter has an overvoltage protection to protect the internal power MOS FET (SW) in case the feed back (FB) pin is floating or shorted to GND. Vs voltage is monitored with comparator over the OS pin. When the voltage of OS pin reached 19V (typ.), the Boost Converter stops its switching until the OS pin voltage falls below the comparator threshold.

●Start-up Sequence

The DC/DC converter of this IC incorporates a soft start function, and the charge pump incorporates a delay function, for which independent time settings are possible through external capacitors.

As the capacitance, 0.01 μF to 0.1 μF is recommended. If the capacitance is set lower than 0.01 μF, the overshooting may occur on the output voltage. If the capacitance is set larger than 0.1 μF, the excessive back current flow may occur in the internal parasitic elements when the power is turned OFF and it may damage IC. When the capacitor more than 0.1 μF is used, be sure to insert a diode to VIN in series, or a bypass diode between the SS and VIN pins.

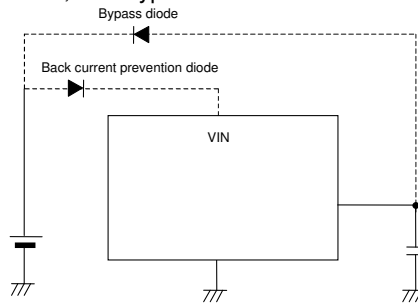


Fig.25 Example of Bypass Diode Use

When there is the activation relation (sequences) with other power supplies, be sure to use the high-precision product (such as X5R). Soft start time may vary according to the input voltage, output loads, coils, voltage, and output capacitance. Be sure to verify the operation using the actual product.

A delay of the charge pump starts from a point where V_{LOGIC} reaches 85% of its nominal value (Typ.).

Soft start time of DC/DC converter block: t_{SS}

$$t_{SS} = (C_{SS} \times 0.6V) / 10 \mu A [s]$$

Where, C_{SS} is an external capacitor.

Delay time of charge pump block: t_{DELAY}

$$t_{DELAY} = (C_{SS} \times 0.65) / 5 \mu A [s]$$

Where, C_{SS} is an external capacitor.

Startup example

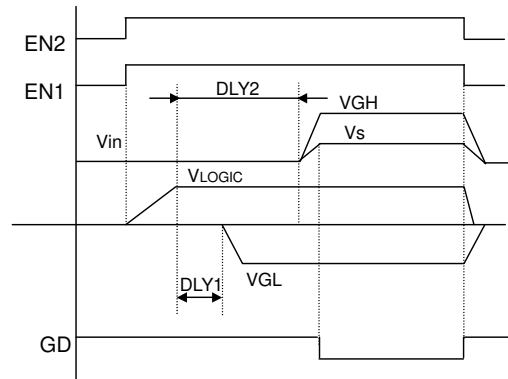


Fig. 26 Output Timing Sequence with EN2 always high (EN2=VIN)

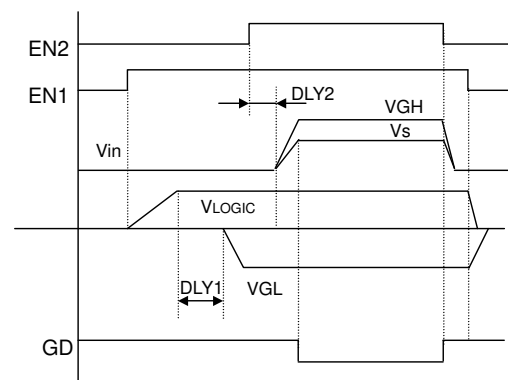


Fig. 27 Output Timing Sequence(with using EN1 and EN2)

●Short Circuit Protection

BD8160AEFV has a short circuit protection feature to prevent the large current flowing when the output is shorted to GND. This function is monitoring V_S , V_{LOGIC} , V_{GH} and V_{GL} voltage and starts the timer when at least one of the outputs is not operating properly (when the output voltage was lower than expected) After TBD ms (Typ) of this abnormal state, BD8160AEFV will shutdown the all outputs and latch the state.

The timer operation will be done even when BD8160AEFV starts up. Therefore, please adjust the capacitor for SS, DLY1 and DLY2 (Softstart and Delaystart) so that the all output voltage reach the expected value within the Short Circuit Protection Time (TBD ms Typ)

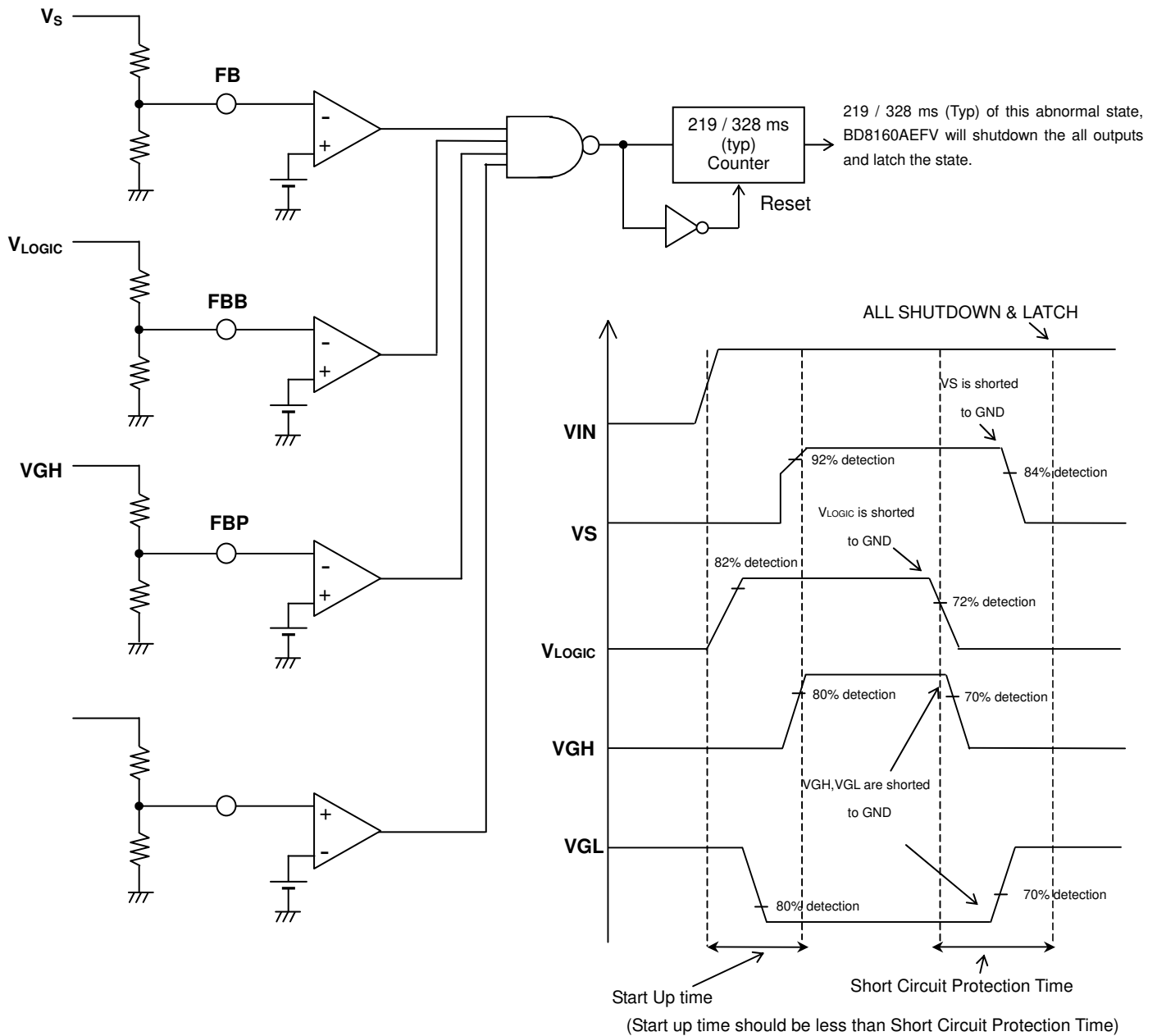


Fig. 28

●Selecting Application Components

(1) Output LC constant (Boost Converter)

The inductance L to use for output is decided by the rated current ILR and input current maximum value IOMAX of the inductance.

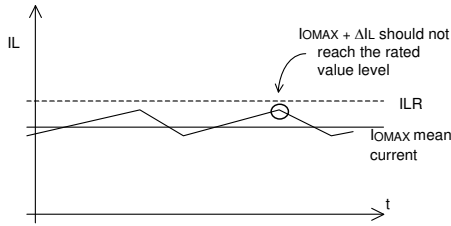


Fig. 29

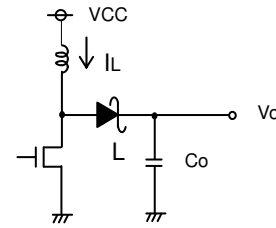


Fig. 30

Adjust so that IOMAX + ΔIL does not reach the rated current value ILR. At this time, ΔIL can be obtained by the following equation.

$$\Delta IL = \frac{1}{L} \times V_{CC} \times \frac{V_o - V_{CC}}{V_o} \times \frac{1}{f} \text{ [A]}$$

Set with sufficient margin because the inductance L value may have the dispersion of ± 30%.

For the capacitor C to use for the output, select the capacitor which has the larger value in the ripple voltage VPP permissible value and the drop voltage permissible value at the time of sudden load change.

Output ripple voltage is decided by the following equation.

$$\Delta V_{PP} = I_{LMAX} \times RESR + \frac{1}{fC_o} \times \frac{V_{CC}}{V_o} \times \left(I_{LMAX} - \frac{\Delta IL}{2} \right) \text{ [V]}$$

Perform setting so that the voltage is within the permissible ripple voltage range.

For the drop voltage VDR during sudden load change, please perform the rough calculation by the following equation.

$$V_{DR} = \frac{\Delta I}{C_o} \times 10 \mu s \text{ [V]}$$

However, 10 μs is the rough calculation value of the DC/DC response speed.

Make Co settings so that these two values will be within the limit values.

(2) Output LC constant (Buck Converter)

The inductance L to use for output is decided by the rated current ILR and input current maximum value IOMAX of the inductance.

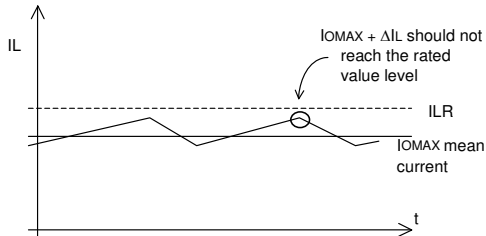


Fig. 31

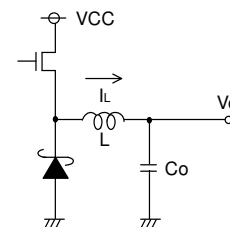


Fig. 32

Adjust so that IOMAX + ΔIL does not reach the rated current value ILR. At this time, ΔIL can be obtained by the following equation.

$$\Delta IL = \frac{1}{L} \times (V_{CC} - V_o) \times \frac{V_o}{V_{CC}} \times \frac{1}{f} \text{ [A]}$$

Set with sufficient margin because the inductance L value may have the dispersion of ± 30%.

For the capacitor C to use for the output, select the capacitor which has the larger value in the ripple voltage VPP permissible value and the drop voltage permissible value at the time of sudden load change.

Output ripple voltage is decided by the following equation.

$$\Delta V_{PP} = \Delta IL \times RESR + \frac{\Delta IL}{2C_o} \times \frac{V_o}{V_{CC}} \times \frac{1}{f} \text{ [V]}$$

Perform setting so that the voltage is within the permissible ripple voltage range.

For the drop voltage VDR during sudden load change, please perform the rough calculation by the following equation.

$$V_{DR} = \frac{\Delta I}{C_o} \times 10 \mu s \text{ [V]}$$

However, 10 μs is the rough calculation value of the DC/DC response speed.

Make Co settings so that these two values will be within the limit values.

(3) Phase compensation
Phase Setting Method

The following conditions are required in order to ensure the stability of the negative feedback circuit.

- Phase lag should be 150° or lower during gain 1 (0 dB) (phase margin of 30° or higher).

Because DC/DC converter applications are sampled using the switching frequency, the overall GBW should be set to 1/10 the switching frequency or lower. The target application characteristics can be summarized as follows:

- Phase lag should be 150° or lower during gain 1 (0 dB) (phase margin of 30° or higher).
- The GBW at that time (i.e., the frequency of a 0-dB gain) is 1/10 of the switching frequency or below.

In other words, because the response is determined by the GBW limitation, it is necessary to use higher switching frequencies to raise response.

One way to maintain stability through phase compensation involves canceling the secondary phase lag (-180°) caused by LC resonance with a secondary phase advance (by inserting 2 phase advances).

The GBW (i.e., the frequency with the gain set to 1) is determined by the phase compensation capacitance connected to the error amp. Increase the capacitance if a GBW reduction is required.

(a) Standard integrator (low-pass filter)

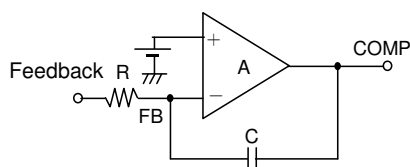


Fig. 33

(b) Open loop characteristics of integrator

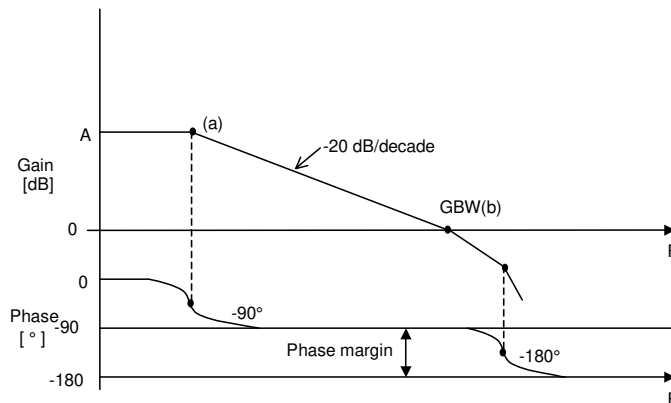


Fig. 34

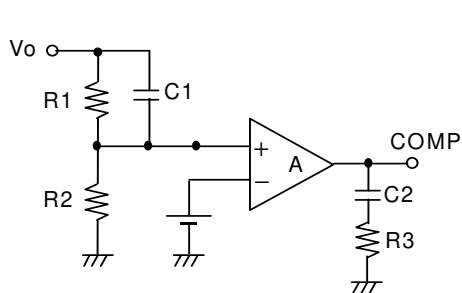
Point (a) $f_a = \frac{1}{2\pi RCA}$ [Hz]

Point (b) $f_b = \text{GBW} = \frac{1}{2\pi RC}$ [Hz]

The error amp performs phase compensation of types (a) and (b), making it act as a low-pass filter.

For DC/DC converter applications, R refers to feedback resistors connected in parallel.

From the LC resonance of output, the number of phase advances to be inserted is two.



LC resonant frequency $f_p = \frac{1}{2\pi\sqrt{LC}}$ [Hz]

Phase advance $f_{z1} = \frac{1}{2\pi C_1 R_1}$ [Hz]

Phase advance $f_{z2} = \frac{1}{2\pi C_2 R_3}$ [Hz]

Fig. 35

Set a phase advancing frequency close to the LC resonant frequency for the purpose of canceling the LC resonance.

- (4) Design of Feedback Resistance constant
Set the feedback resistance as shown below.

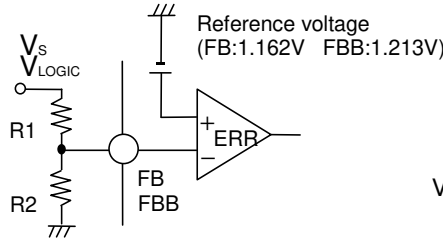


Fig. 36

$$V_s, V_{\text{LOGIC}} = \frac{R1 + R2}{R2} \times \text{Reference Voltage} \quad [\text{V}]$$

- (5) Positive-side Charge Pump Settings

The IC incorporates a charge pump controller, thus making it possible to generate stable gate voltage. The output voltage is determined by the following equation. As the setting range, 10kΩ to 330kΩ is recommended. If the resistor is set lower than 10kΩ, it causes reduction of power efficiency. If it is set more than 330kΩ, the offset voltage becomes larger by the input bias current of 0.1μA (Typ.) in the internal error amp.

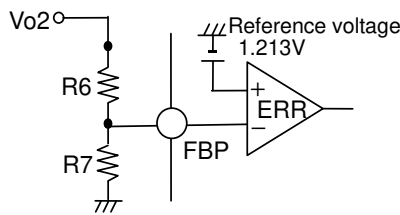


Fig. 37

$$Vo2 = \frac{R6 + R7}{R7} \times \text{Reference Voltage} \quad [\text{V}]$$

By connecting capacitance to the DLY2 pin, the rising delay time can be set for the positive-side charge pump output. The delay time is determined by the following equation.

- Delay time of charge pump block t_{DELAY}
 $t_{\text{DELAY}} = (CDLS \times 0.65) / 5 \mu\text{A} [\text{s}]$
 Where, CDLS is an external capacitor.

- (6) Negative-side Charge Pump Settings

BD8160AEFV incorporates a charge pump controller for negative voltage, thus making it possible to generate stable gate voltage.

The output voltage is determined by the following equation. As the setting range, 10kΩ to 330kΩ is recommended. If the resistor is set lower than 10kΩ, it causes reduction of power efficiency. If it is set more than 330kΩ, the offset voltage becomes larger by the input bias current of 0.1μA (Typ.) in the internal error amp.

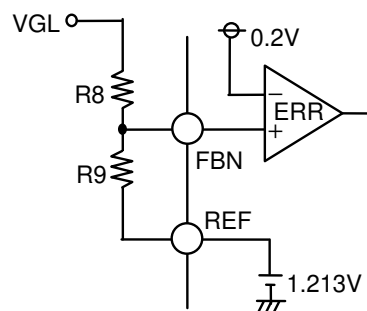


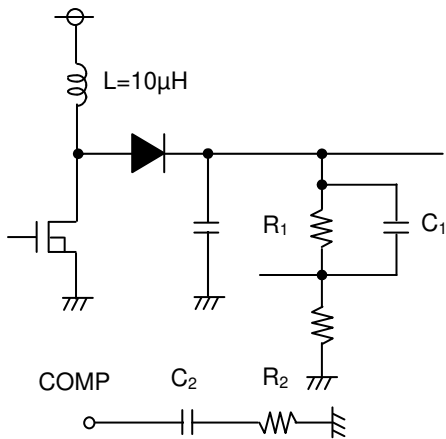
Fig.38

$$VGL = - \frac{R8}{R9} \times 1.013 + 0.2 \text{ V} \quad [\text{V}]$$

Like the positive-side charge pump, the rise delay time can be set by connecting capacitance to the DLY1 pin.

●Selecting the Feedforward Capacitor (Boost Converter)

Across the upper resistor R₁, a bypass capacitor is needed to have a stable converter loop. C₁ will set a zero in the loop together with R₁.



$$C_1 = \frac{1}{2 \times \pi \times fz_1 \times R_1} \left(\begin{array}{l} Fz_1=11\text{kHz} \\ @L=10\mu\text{H} \end{array} \right)$$

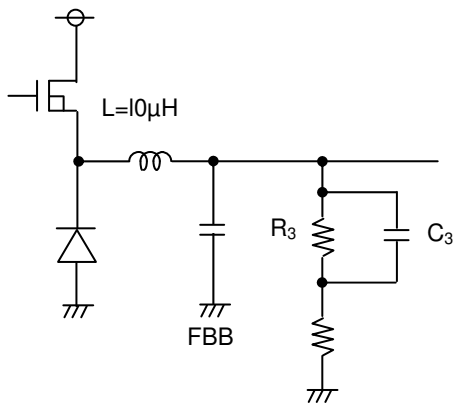
Fig.39

The regulator loop can be compensated by adjusting the external components connected to the COMP pin. C₂,R₂ are decided by the following formula.

$$Fz_1=11\text{kHz} = \frac{1}{2 \times \pi \times C_2 \times R_2}$$

●Selecting the Feedforward Capacitor (Buck converter)

The feedforward capacitor across the upper feedback resistor divider sets a zero in the control loop.



$$C_3 = \frac{1}{2 \times \pi \times fz_2 \times R_3} \left(\begin{array}{l} Fz_2=12\text{kHz} \\ @L=10\mu\text{H} \end{array} \right)$$

Fig.40

● I/O Equivalent Circuit Diagram

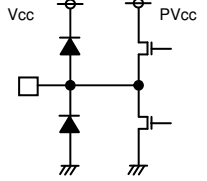
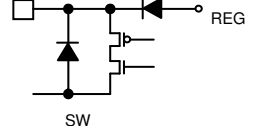
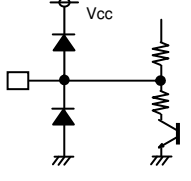
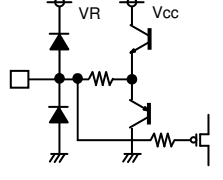
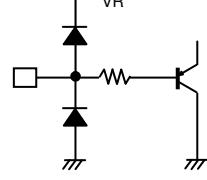
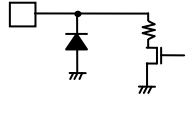
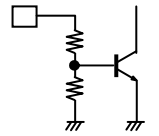
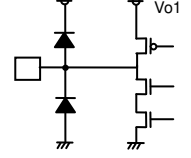
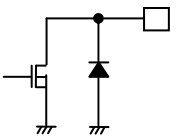
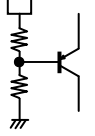
<p>18.SWB</p> 	<p>17.BOOT</p> 	<p>25.DLY1 26.DLY2 28.SS</p> 
<p>2.COMP 24.REF</p> 	<p>1.FB 13.FBN 14.FBP 15.FBB</p> 	<p>27.GD</p> 
<p>9.EN2 12.FREQ 16.EN1</p> 	<p>10.DRP 11.DRN</p> 	<p>4.SW 5.SW</p> 
<p>3.OS</p> 		

Fig.41

●Notes for use

1) Absolute maximum ratings

Use of the IC in excess of absolute maximum ratings such as the applied voltage or operating temperature range may result in IC damage. Assumptions should not be made regarding the state of the IC (short mode or open mode) when such damage is suffered. A physical safety measure such as a fuse should be implemented when use of the IC in a special mode where the absolute maximum ratings may be exceeded is anticipated.

2) GND potential

Ensure a minimum GND pin potential in all operating conditions.

3) Setting of heat

Use a thermal design that allows for a sufficient margin in light of the power dissipation (P_d) in actual operating conditions.

4) Pin short and mistake fitting

Use caution when orienting and positioning the IC for mounting on printed circuit boards. Improper mounting may result in damage to the IC. Shorts between output pins or between output pins and the power supply and GND pins caused by the presence of a foreign object may result in damage to the IC.

5) Actions in strong magnetic field

Use caution when using the IC in the presence of a strong magnetic field as doing so may cause the IC to malfunction.

6) Testing on application boards

When testing the IC on an application board, connecting a capacitor to a pin with low impedance subjects the IC to stress. Always discharge capacitors after each process or step. Ground the IC during assembly steps as an antistatic measure, and use similar caution when transporting or storing the IC. Always turn the IC's power supply off before connecting it to or removing it from a jig or fixture during the inspection process.

7) Ground wiring patterns

When using both small signal and large current GND patterns, it is recommended to isolate the two ground patterns, placing a single ground point at the application's reference point so that the pattern wiring resistance and voltage variations caused by large currents do not cause variations in the small signal ground voltage. Be careful not to change the GND wiring patterns of any external components.

8) Regarding input pin of the IC

This monolithic IC contains P+ isolation and P substrate layers between adjacent elements in order to keep them isolated. P/N junctions are formed at the intersection of these P layers with the N layers of other elements to create a variety of parasitic elements. For example, when the resistors and transistors are connected to the pins as shown in Fig.42, a parasitic diode or a transistor operates by inverting the pin voltage and GND voltage. The formation of parasitic elements as a result of the relationships of the potentials of different pins is an inevitable result of the IC's architecture. The operation of parasitic elements can cause interference with circuit operation as well as IC malfunction and damage. For these reasons, it is necessary to use caution so that the IC is not used in a way that will trigger the operation of parasitic elements such as by the application of voltages lower than the GND (P substrate) voltage to input and output pins.

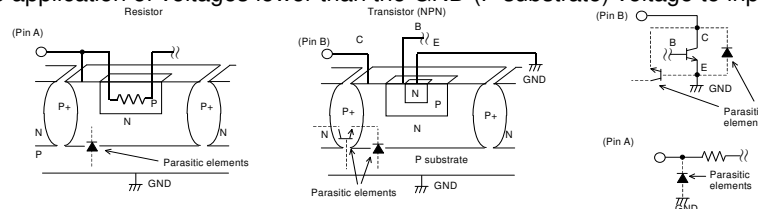


Fig. 42 Example of a Simple Monolithic IC Architecture

9) Overcurrent protection circuits

An overcurrent protection circuit designed according to the output current is incorporated for the prevention of IC damage that may result in the event of load shorting. This protection circuit is effective in preventing damage due to sudden and unexpected accidents. However, the IC should not be used in applications characterized by the continuous operation or transitioning of the protection circuits. At the time of thermal designing, keep in mind that the current capacity has negative characteristics to temperatures.

10) Thermal shutdown circuit (TSD)

This IC incorporates a built-in TSD circuit for the protection from thermal destruction. The IC should be used within the specified power dissipation range. However, in the event that the IC continues to be operated in excess of its power dissipation limits, the attendant rise in the chip's junction temperature T_j will trigger the TSD circuit to turn off all output power elements. Operation of the TSD circuit presumes that the IC's absolute maximum ratings have been exceeded. Application designs should never make use of the TSD circuit.

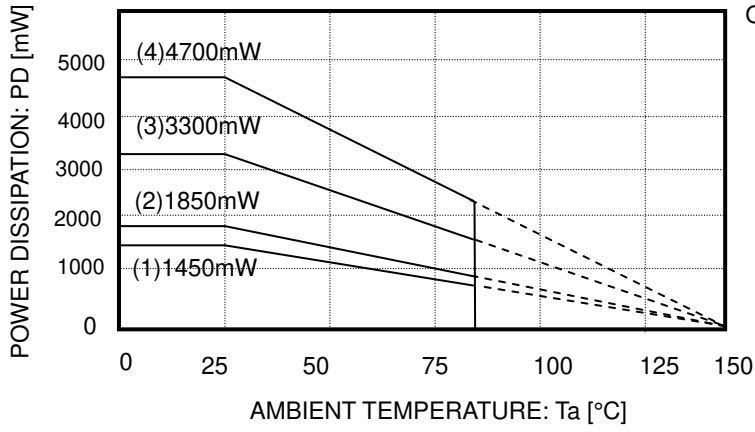
11) Testing on application boards

At the time of inspection of the installation boards, when the capacitor is connected to the pin with low impedance, be sure to discharge electricity per process because it may load stresses to the IC. Always turn the IC's power supply off before connecting it to or removing it from a jig or fixture during the inspection process. Ground the IC during assembly steps as an antistatic measure, and use similar caution when transporting or storing the IC.

12) EN1 terminal

EN1 terminal should be pulled up to VIN terminal.

● Power Dissipation



On 70 × 70 × 1.6 mm glass epoxy PCB
(1) 1-layer board (Backside copper foil area 0 mm × 0 mm)
(2) 2-layer board (Backside copper foil area 15 mm × 15 mm)
(3) 2-layer board (Backside copper foil area 70 mm × 70 mm)
(4) 4-layer board (Backside copper foil area 70 mm × 70 mm)

Fig. 43

●Ordering part number

B	D
---	---

Part No.

8	1	6	0	A
---	---	---	---	---

Part No.

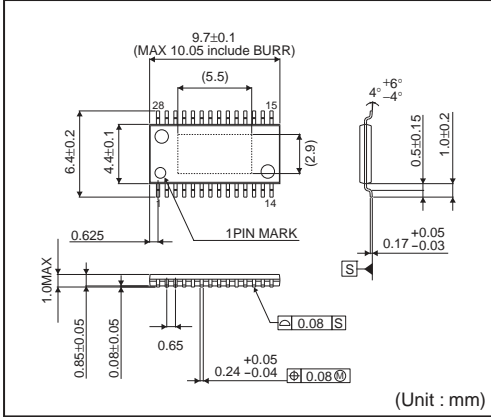
E	F	V
---	---	---

Package
EFV : HTSSOP-B28

E	2
---	---

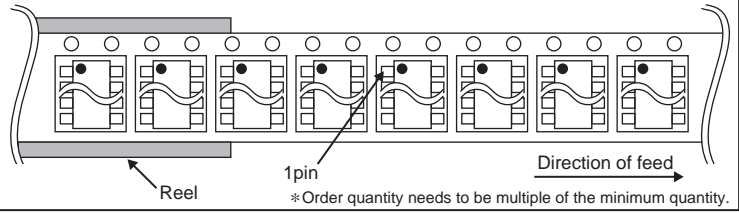
Packaging and forming specification
E2: Embossed tape and reel

HTSSOP-B28



<Tape and Reel information>

Tape	Embossed carrier tape (with dry pack)
Quantity	2500pcs
Direction of feed	E2 (The direction is the 1pin of product is at the upper left when you hold reel on the left hand and you pull out the tape on the right hand)



Notice

Precaution on using ROHM Products

- Our Products are designed and manufactured for application in ordinary electronic equipments (such as AV equipment, OA equipment, telecommunication equipment, home electronic appliances, amusement equipment, etc.). If you intend to use our Products in devices requiring extremely high reliability (such as medical equipment ^(Note 1), transport equipment, traffic equipment, aircraft/spacecraft, nuclear power controllers, fuel controllers, car equipment including car accessories, safety devices, etc.) and whose malfunction or failure may cause loss of human life, bodily injury or serious damage to property ("Specific Applications"), please consult with the ROHM sales representative in advance. Unless otherwise agreed in writing by ROHM in advance, ROHM shall not be in any way responsible or liable for any damages, expenses or losses incurred by you or third parties arising from the use of any ROHM's Products for Specific Applications.

(Note1) Medical Equipment Classification of the Specific Applications

JAPAN	USA	EU	CHINA
CLASS III	CLASS III	CLASS II b	CLASS III
CLASS IV		CLASS III	

- ROHM designs and manufactures its Products subject to strict quality control system. However, semiconductor products can fail or malfunction at a certain rate. Please be sure to implement, at your own responsibilities, adequate safety measures including but not limited to fail-safe design against the physical injury, damage to any property, which a failure or malfunction of our Products may cause. The following are examples of safety measures:
 - Installation of protection circuits or other protective devices to improve system safety
 - Installation of redundant circuits to reduce the impact of single or multiple circuit failure
- Our Products are designed and manufactured for use under standard conditions and not under any special or extraordinary environments or conditions, as exemplified below. Accordingly, ROHM shall not be in any way responsible or liable for any damages, expenses or losses arising from the use of any ROHM's Products under any special or extraordinary environments or conditions. If you intend to use our Products under any special or extraordinary environments or conditions (as exemplified below), your independent verification and confirmation of product performance, reliability, etc. prior to use, must be necessary:
 - Use of our Products in any types of liquid, including water, oils, chemicals, and organic solvents
 - Use of our Products outdoors or in places where the Products are exposed to direct sunlight or dust
 - Use of our Products in places where the Products are exposed to sea wind or corrosive gases, including Cl₂, H₂S, NH₃, SO₂, and NO₂
 - Use of our Products in places where the Products are exposed to static electricity or electromagnetic waves
 - Use of our Products in proximity to heat-producing components, plastic cords, or other flammable items
 - Sealing or coating our Products with resin or other coating materials
 - Use of our Products without cleaning residue of flux (even if you use no-clean type fluxes, cleaning residue of flux is recommended); or Washing our Products by using water or water-soluble cleaning agents for cleaning residue after soldering
 - Use of the Products in places subject to dew condensation
- The Products are not subject to radiation-proof design.
- Please verify and confirm characteristics of the final or mounted products in using the Products.
- In particular, if a transient load (a large amount of load applied in a short period of time, such as pulse. is applied, confirmation of performance characteristics after on-board mounting is strongly recommended. Avoid applying power exceeding normal rated power; exceeding the power rating under steady-state loading condition may negatively affect product performance and reliability.
- De-rate Power Dissipation (Pd) depending on Ambient temperature (Ta). When used in sealed area, confirm the actual ambient temperature.
- Confirm that operation temperature is within the specified range described in the product specification.
- ROHM shall not be in any way responsible or liable for failure induced under deviant condition from what is defined in this document.

Precaution for Mounting / Circuit board design

- When a highly active halogenous (chlorine, bromine, etc.) flux is used, the residue of flux may negatively affect product performance and reliability.
- In principle, the reflow soldering method must be used; if flow soldering method is preferred, please consult with the ROHM representative in advance.

For details, please refer to ROHM Mounting specification

Precautions Regarding Application Examples and External Circuits

1. If change is made to the constant of an external circuit, please allow a sufficient margin considering variations of the characteristics of the Products and external components, including transient characteristics, as well as static characteristics.
2. You agree that application notes, reference designs, and associated data and information contained in this document are presented only as guidance for Products use. Therefore, in case you use such information, you are solely responsible for it and you must exercise your own independent verification and judgment in the use of such information contained in this document. ROHM shall not be in any way responsible or liable for any damages, expenses or losses incurred by you or third parties arising from the use of such information.

Precaution for Electrostatic

This Product is electrostatic sensitive product, which may be damaged due to electrostatic discharge. Please take proper caution in your manufacturing process and storage so that voltage exceeding the Products maximum rating will not be applied to Products. Please take special care under dry condition (e.g. Grounding of human body / equipment / solder iron, isolation from charged objects, setting of Ionizer, friction prevention and temperature / humidity control).

Precaution for Storage / Transportation

1. Product performance and soldered connections may deteriorate if the Products are stored in the places where:
 - [a] the Products are exposed to sea winds or corrosive gases, including Cl₂, H₂S, NH₃, SO₂, and NO₂
 - [b] the temperature or humidity exceeds those recommended by ROHM
 - [c] the Products are exposed to direct sunshine or condensation
 - [d] the Products are exposed to high Electrostatic
2. Even under ROHM recommended storage condition, solderability of products out of recommended storage time period may be degraded. It is strongly recommended to confirm solderability before using Products of which storage time is exceeding the recommended storage time period.
3. Store / transport cartons in the correct direction, which is indicated on a carton with a symbol. Otherwise bent leads may occur due to excessive stress applied when dropping of a carton.
4. Use Products within the specified time after opening a humidity barrier bag. Baking is required before using Products of which storage time is exceeding the recommended storage time period.

Precaution for Product Label

QR code printed on ROHM Products label is for ROHM's internal use only.

Precaution for Disposition

When disposing Products please dispose them properly using an authorized industry waste company.

Precaution for Foreign Exchange and Foreign Trade act

Since our Products might fall under controlled goods prescribed by the applicable foreign exchange and foreign trade act, please consult with ROHM representative in case of export.

Precaution Regarding Intellectual Property Rights

1. All information and data including but not limited to application example contained in this document is for reference only. ROHM does not warrant that foregoing information or data will not infringe any intellectual property rights or any other rights of any third party regarding such information or data. ROHM shall not be in any way responsible or liable for infringement of any intellectual property rights or other damages arising from use of such information or data.:
2. No license, expressly or implied, is granted hereby under any intellectual property rights or other rights of ROHM or any third parties with respect to the information contained in this document.

Other Precaution

1. This document may not be reprinted or reproduced, in whole or in part, without prior written consent of ROHM.
2. The Products may not be disassembled, converted, modified, reproduced or otherwise changed without prior written consent of ROHM.
3. In no event shall you use in any way whatsoever the Products and the related technical information contained in the Products or this document for any military purposes, including but not limited to, the development of mass-destruction weapons.
4. The proper names of companies or products described in this document are trademarks or registered trademarks of ROHM, its affiliated companies or third parties.

General Precaution

1. Before you use our Products, you are requested to carefully read this document and fully understand its contents. ROHM shall not be in any way responsible or liable for failure, malfunction or accident arising from the use of any ROHM's Products against warning, caution or note contained in this document.
2. All information contained in this document is current as of the issuing date and subject to change without any prior notice. Before purchasing or using ROHM's Products, please confirm the latest information with a ROHM sales representative.
3. The information contained in this document is provided on an "as is" basis and ROHM does not warrant that all information contained in this document is accurate and/or error-free. ROHM shall not be in any way responsible or liable for any damages, expenses or losses incurred by you or third parties resulting from inaccuracy or errors of or concerning such information.