

LHF00L28
Flash Memory
16Mbit (1Mbitx16)
(Model Number: LHF00L28)

Spec. Issue Date: May 26, 2004
Spec No: FM045032

SPEC No.	FM045032
ISSUE:	May. 26, 2004

To: _____

PRELIMINARY
S P E C I F I C A T I O N S

Product Type 16 Mbit Flash Memory

L H F 0 0 L 2 8

Model No. (L H F 0 0 L 2 8)

This device specification is subject to change without notice.

* This specifications contains 26 pages including the cover and appendix.

* Refer to LHF00LXX series Appendix (FUM03802).

CUSTOMERS ACCEPTANCE

DATE: _____

BY: _____

PRESENTED

BY: Y. Hotta
Y. Hotta
Dept. General Manager

REVIEWED BY:

PREPARED BY:

H. Takata S. Otani

Product Development Dept. I
System-Flash Division
Integrated Circuits Group
SHARP CORPORATION

- Handle this document carefully for it contains material protected by international copyright law. Any reproduction, full or in part, of this material is prohibited without the express written permission of the company.

- When using the products covered herein, please observe the conditions written herein and the precautions outlined in the following paragraphs. In no event shall the company be liable for any damages resulting from failure to strictly adhere to these conditions and precautions.

(1) The products covered herein are designed and manufactured for the following application areas. When using the products covered herein for the equipment listed in Paragraph (2), even for the following application areas, be sure to observe the precautions given in Paragraph (2). Never use the products for the equipment listed in Paragraph (3).

- Office electronics
- Instrumentation and measuring equipment
- Machine tools
- Audiovisual equipment
- Home appliance
- Communication equipment other than for trunk lines

(2) Those contemplating using the products covered herein for the following equipment which demands high reliability, should first contact a sales representative of the company and then accept responsibility for incorporating into the design fail-safe operation, redundancy, and other appropriate measures for ensuring reliability and safety of the equipment and the overall system.

- Control and safety devices for airplanes, trains, automobiles, and other transportation equipment
- Mainframe computers
- Traffic control systems
- Gas leak detectors and automatic cutoff devices
- Rescue and security equipment
- Other safety devices and safety equipment, etc.

(3) Do not use the products covered herein for the following equipment which demands extremely high performance in terms of functionality, reliability, or accuracy.

- Aerospace equipment
- Communications equipment for trunk lines
- Control equipment for the nuclear power industry
- Medical equipment related to life support, etc.

(4) Please direct all queries and comments regarding the interpretation of the above three Paragraphs to a sales representative of the company.

- Please direct all queries regarding the products covered herein to a sales representative of the company.

CONTENTS

PAGE	PAGE
48-Lead TSOP (Normal Bend) Pinout 3	1 Electrical Specifications 14
Pin Descriptions..... 4	1.1 Absolute Maximum Ratings..... 14
Memory Map..... 5	1.2 Operating Conditions 14
Identifier Codes and OTP Address for Read Operation 6	1.2.1 Capacitance..... 15
OTP Block Address Map for OTP Program..... 7	1.2.2 AC Input/Output Test Conditions..... 15
Bus Operation 8	1.2.3 DC Characteristics..... 16
Command Definitions 9	1.2.4 AC Characteristics - Read-Only Operations..... 18
Functions of Block Lock and Block Lock-Down..... 11	1.2.5 AC Characteristics - Write Operations 20
Block Locking State Transitions upon Command Write..... 11	1.2.6 Reset Operations..... 22
Block Locking State Transitions upon WP#/ACC Transition 12	1.2.7 Block Erase, Full Chip Erase, Program and OTP Program Performance. 23
Status Register Definition..... 13	2 Related Document Information 24

LHF00L28

16Mbit (1Mbit×16)

Flash MEMORY

- 16-M density with 16-bit I/O Interface
- Read Operation
 - 70ns
- Low Power Operation
 - 2.7V Read and Write Operations
 - Automatic Power Savings Mode reduces I_{CCR} in Static Mode
- Enhanced Code + Data Storage
 - 5 μ s Typical Erase/Program Suspends
- OTP (One Time Program) Block
 - 4-Word Factory-Programmed Area
 - 4-Word User-Programmable Area
- Operating Temperature -40°C to +85°C
- CMOS Process (P-type silicon substrate)
- Flexible Blocking Architecture
 - Eight 4-Kword Parameter Blocks
 - One 32-Kword Block
 - Fifteen 64-Kword Blocks
 - Top Parameter Location
- Enhanced Data Protection Features
 - Individual Block Lock and Block Lock-Down with Zero-Latency
 - All blocks are locked at power-up or device reset.
 - Block Erase, Full Chip Erase, Word Program Lockout during Power Transitions
- Automated Erase/Program Algorithms
 - 3.0V Low-Power 10 μ s/Word (Typ.) Programming
 - 12.0V No Glue Logic 9 μ s/Word (Typ.) Production Programming and 0.8s Erase (Typ.)
- Cross-Compatible Command Support
 - Basic Command Set
 - Common Flash Interface (CFI)
- Extended Cycling Capability
 - Minimum 100,000 Block Erase Cycles
- 48-Lead TSOP (Normal Bend)
- ETOXTM* Flash Technology
- Not designed or rated as radiation hardened

The product is a low power, high density, low cost, nonvolatile read/write storage solution for a wide range of applications. The product can operate at $V_{CC}=2.7V-3.6V$. Its low voltage operation capability greatly extends battery life for portable applications.

The memory array block architecture utilizes Enhanced Data Protection features, which provides maximum flexibility for safe nonvolatile code and data storage.

Special OTP (One Time Program) block provides an area to store permanent code such as an unique number.

* ETOX is a trademark of Intel Corporation.

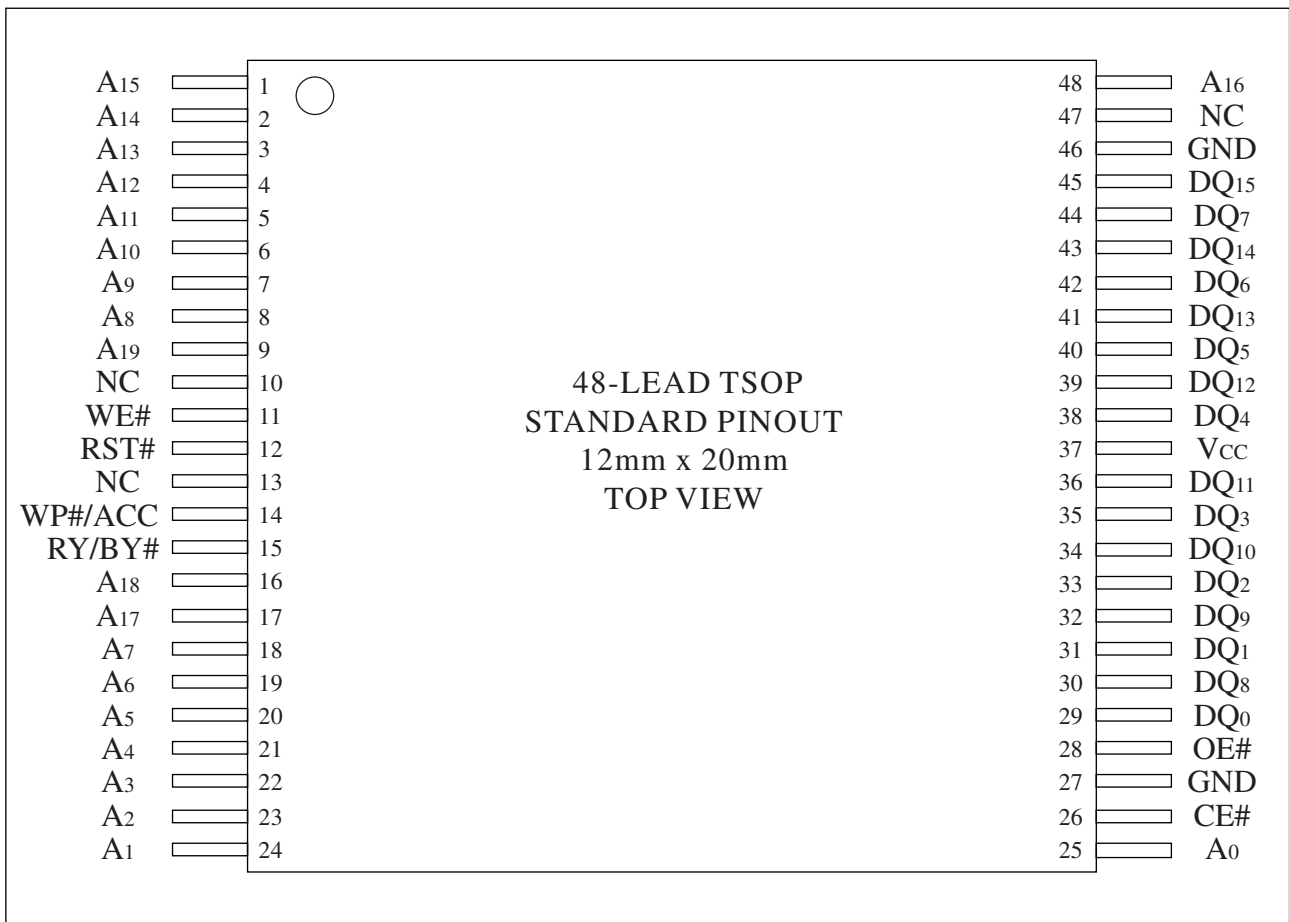


Figure 1. 48-Lead TSOP (Normal Bend) Pinout

Table 1. Pin Descriptions

Symbol	Type	Name and Function
A ₁₉ -A ₀	INPUT	ADDRESS INPUTS: Inputs for addresses.
DQ ₁₅ -DQ ₀	INPUT/ OUTPUT	DATA INPUTS/OUTPUTS: Inputs data and commands during CUI (Command User Interface) write cycles, outputs data during memory array, status register, query code, identifier code reads. Data pins float to high-impedance (High Z) when the chip or outputs are deselected. Data is internally latched during an erase or program cycle.
CE#	INPUT	CHIP ENABLE: Activates the device's control logic, input buffers, decoders and sense amplifiers. CE#-high (V _{IH}) deselected the device and reduces power consumption to standby levels.
RST#	INPUT	RESET: When low (V _{IL}), RST# resets internal automation and inhibits write operations which provides data protection. RST#-high (V _{IH}) enables normal operation. After power-up or reset mode, the device is automatically set to read array mode. RST# must be low during power-up/down.
OE#	INPUT	OUTPUT ENABLE: Gates the device's outputs during a read cycle.
WE#	INPUT	WRITE ENABLE: Controls writes to the CUI and array blocks. Addresses and data are latched on the rising edge of CE# or WE# (whichever goes high first).
WP#/ACC	INPUT/ SUPPLY	WRITE PROTECT: When WP#/ACC is V _{IL} , locked-down blocks cannot be unlocked. Erase or program operation can be executed to the blocks which are not locked and not locked-down. When WP#/ACC is V _{IH} , lock-down is disabled. Applying 12.0V±0.3V to WP#/ACC provides fast erasing or fast programming mode. In this mode, WP#/ACC is power supply pin. Applying 12.0V±0.3V to WP#/ACC during erase/program can only be done for a maximum of 1,000 cycles on each block. WP#/ACC may be connected to 12.0V±0.3V for a total of 80 hours maximum. Use of this pin at 12.0V+0.3V beyond these limits may reduce block cycling capability or cause permanent damage.
RY/BY#	OPEN DRAIN OUTPUT	READY/BUSY#: Indicates the status of the internal WSM (Write State Machine). When low, WSM is performing an internal operation (block erase, full chip erase, program or OTP program). RY/BY#-High Z indicates that the WSM is ready for new commands, block erase is suspended and program is inactive, program is suspended, or the device is in reset mode.
V _{CC}	SUPPLY	DEVICE POWER SUPPLY (2.7V-3.6V): With V _{CC} ≤V _{LKO} , all write attempts to the flash memory are inhibited. Device operations at invalid V _{CC} voltage (see DC Characteristics) produce spurious results and should not be attempted.
GND	SUPPLY	GROUND: Do not float any ground pins.
NC		NO CONNECT: Lead is not internally connected; it may be driven or floated.

[A₁₉-A₀]

FFFF	4-Kword Block 23
FF00	
FEFF	4-Kword Block 22
FE00	
FDFF	4-Kword Block 21
FD00	
FCFF	4-Kword Block 20
FC00	
FBFF	4-Kword Block 19
FB00	
FAFF	4-Kword Block 18
FA00	
F9FF	4-Kword Block 17
F900	
F8FF	4-Kword Block 16
F800	
F7FF	32-Kword Block 15
F000	
EFFF	64-Kword Block 14
E000	
DFFF	64-Kword Block 13
D000	
CFFF	64-Kword Block 12
C000	
BFFF	64-Kword Block 11
B000	
AFFF	64-Kword Block 10
A000	
9FFF	64-Kword Block 9
9000	
8FFF	64-Kword Block 8
8000	
7FFF	64-Kword Block 7
7000	
6FFF	64-Kword Block 6
6000	
5FFF	64-Kword Block 5
5000	
4FFF	64-Kword Block 4
4000	
3FFF	64-Kword Block 3
3000	
2FFF	64-Kword Block 2
2000	
1FFF	64-Kword Block 1
1000	
0FFF	64-Kword Block 0
0000	

Figure 2. Memory Map (Top Parameter)

Table 2. Identifier Codes and OTP Address for Read Operation

	Code	Address [A ₁₉ -A ₀]	Data [DQ ₁₅ -DQ ₀]	Notes
Manufacturer Code	Manufacturer Code	00000H	00B0H	
Device Code	Device Code	00001H	00A4H	
Block Lock Configuration Code	Block is Unlocked	Block Address + 2	DQ ₀ = 0	1
	Block is Locked		DQ ₀ = 1	1
	Block is not Locked-Down		DQ ₁ = 0	1
	Block is Locked-Down		DQ ₁ = 1	1
OTP	OTP Lock	00080H	OTP-LK	2
	OTP	00081-00088H	OTP	3

NOTES:

1. Block Address = The beginning location of a block address. DQ₁₅-DQ₂ are reserved for future implementation.
2. OTP-LK=OTP Block Lock configuration.
3. OTP=OTP Block data.

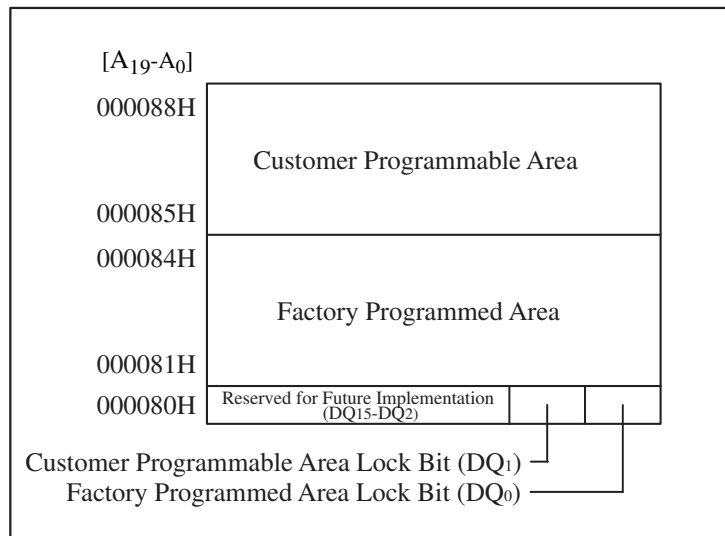


Figure 3. OTP Block Address Map for OTP Program
(The area outside 80H~88H cannot be used.)

Table 3. Bus Operation^(1, 2)

Mode	Notes	RST#	CE#	OE#	WE#	Address	DQ ₁₅₋₀	RY/BY# (8)
Read Array	6	V _{IH}	V _{IL}	V _{IL}	V _{IH}	X	D _{OUT}	High Z
Output Disable		V _{IH}	V _{IL}	V _{IH}	V _{IH}	X	High Z	X
Standby		V _{IH}	V _{IH}	X	X	X	High Z	X
Reset	3	V _{IL}	X	X	X	X	High Z	High Z
Read Identifier Codes/OTP	6	V _{IH}	V _{IL}	V _{IL}	V _{IH}	See Table 2	See Table 2	High Z
Read Query	6,7	V _{IH}	V _{IL}	V _{IL}	V _{IH}	See Appendix	See Appendix	High Z
Read Status Register	6	V _{IH}	V _{IL}	V _{IL}	V _{IH}	X	D _{OUT}	X
Write	4,5,6	V _{IH}	V _{IL}	V _{IH}	V _{IL}	X	D _{IN}	X

NOTES:

1. Refer to DC Characteristics for V_{IL} or V_{IH} voltages.
2. X can be V_{IL} or V_{IH} for control pins and addresses.
3. RST# at GND±0.2V ensures the lowest power consumption.
4. Command writes involving block erase, full chip erase, program or OTP program are reliably executed when V_{CC}=2.7V-3.6V.
5. Refer to Table 4 for valid D_{IN} during a write operation.
6. Never hold OE# low and WE# low at the same timing.
7. Refer to Appendix of LHF00LXX series for more information about query code.
8. RY/BY# is V_{OL} when the WSM (Write State Machine) is executing internal block erase, full chip erase, program or OTP program algorithms. It is High Z during when the WSM is not busy, in block erase suspend mode (with program inactive), program suspend mode, or reset mode.

Table 4. Command Definitions⁽¹⁰⁾

Command	Bus Cycles Req'd	Notes	First Bus Cycle			Second Bus Cycle		
			Oper ⁽¹⁾	Addr ⁽²⁾	Data	Oper ⁽¹⁾	Addr ⁽²⁾	Data ⁽³⁾
Read Array	1		Write	X	FFH			
Read Identifier Codes/OTP	≥ 2	4	Write	X	90H	Read	IA or OA	ID or OD
Read Query	≥ 2	4	Write	X	98H	Read	QA	QD
Read Status Register	2		Write	X	70H	Read	X	SRD
Clear Status Register	1		Write	X	50H			
Block Erase	2	5	Write	BA	20H	Write	BA	D0H
Full Chip Erase	2	5, 8	Write	X	30H	Write	X	D0H
Program	2	5,6	Write	WA	40H or 10H	Write	WA	WD
Block Erase and Program Suspend	1	7, 8	Write	X	B0H			
Block Erase and Program Resume	1	7, 8	Write	X	D0H			
Set Block Lock Bit	2		Write	BA	60H	Write	BA	01H
Clear Block Lock Bit	2	9	Write	BA	60H	Write	BA	D0H
Set Block Lock-down Bit	2		Write	BA	60H	Write	BA	2FH
OTP Program	2	8	Write	OA	C0H	Write	OA	OD

NOTES:

- Bus operations are defined in Table 3.
- All addresses which are written at the first bus cycle should be the same as the addresses which are written at the second bus cycle.
X=Any valid address within the device.
IA=Identifier codes address (See Table 2).
QA=Query codes address. Refer to Appendix of LHF00LXX series for details.
BA=Address within the block being erased, set/cleared block lock bit or set block lock-down bit.
WA=Address of memory location for the Program command.
OA=Address of OTP block to be read or programmed (See Figure 3).
- ID=Data read from identifier codes. (See Table 2).
QD=Data read from query database. Refer to Appendix of LHF00LXX series for details.
SRD=Data read from status register. See Table 8 for a description of the status register bits.
WD=Data to be programmed at location WA. Data is latched on the rising edge of WE# or CE# (whichever goes high first) during command write cycles.
OD=Data within OTP block. Data is latched on the rising edge of WE# or CE# (whichever goes high first) during command write cycles.
- Following the Read Identifier Codes/OTP command, read operations access manufacturer code, device code, block lock configuration code and the data within OTP block (See Table 2).
The Read Query command is available for reading CFI (Common Flash Interface) information.
- Block erase, full chip erase or program cannot be executed when the selected block is locked. Unlocked block can be erased or programmed when RST# is V_{IH}.
- Either 40H or 10H are recognized by the CUI (Command User Interface) as the program setup.
- If the program operation and the erase operation are both suspended, the suspended program operation will be resumed first.
- Full chip erase and OTP program operations can not be suspended. The OTP Program command can not be accepted while the block erase operation is being suspended.

9. Following the Clear Block Lock Bit command, block which is not locked-down is unlocked when WP#/ACC is V_{IL} . When WP#/ACC is V_{IH} , lock-down bit is disabled and the selected block is unlocked regardless of lock-down configuration.
10. Commands other than those shown above are reserved by SHARP for future device implementations and should not be used.

Table 5. Functions of Block Lock⁽⁵⁾ and Block Lock-Down

Current State					Erase/Program Allowed ⁽²⁾
State	WP#/ACC	DQ ₁ ⁽¹⁾	DQ ₀ ⁽¹⁾	State Name	
[000]	0	0	0	Unlocked	Yes
[001] ⁽³⁾	0	0	1	Locked	No
[011]	0	1	1	Locked-down	No
[100]	1	0	0	Unlocked	Yes
[101] ⁽³⁾	1	0	1	Locked	No
[110] ⁽⁴⁾	1	1	0	Lock-down Disable	Yes
[111]	1	1	1	Lock-down Disable	No

NOTES:

1. DQ₀=1: a block is locked; DQ₀=0: a block is unlocked.
DQ₁=1: a block is locked-down; DQ₁=0: a block is not locked-down.
2. Erase and program are general terms, respectively, to express: block erase, full chip erase and program operations.
3. At power-up or device reset, all blocks default to locked state and are not locked-down, that is, [001] (WP#/ACC=0) or [101] (WP#/ACC=1), regardless of the states before power-off or reset operation.
4. When WP#/ACC is driven to V_{IL} in [110] state, the state changes to [011] and the blocks are automatically locked.
5. OTP (One Time Program) block has the lock function which is different from those described above.

Table 6. Block Locking State Transitions upon Command Write⁽⁴⁾

Current State				Result after Lock Command Written (Next State)		
State	WP#/ACC	DQ ₁	DQ ₀	Set Lock ⁽¹⁾	Clear Lock ⁽¹⁾	Set Lock-down ⁽¹⁾
[000]	0	0	0	[001]	No Change	[011] ⁽²⁾
[001]	0	0	1	No Change ⁽³⁾	[000]	[011]
[011]	0	1	1	No Change	No Change	No Change
[100]	1	0	0	[101]	No Change	[111] ⁽²⁾
[101]	1	0	1	No Change	[100]	[111]
[110]	1	1	0	[111]	No Change	[111] ⁽²⁾
[111]	1	1	1	No Change	[110]	No Change

NOTES:

1. "Set Lock" means Set Block Lock Bit command, "Clear Lock" means Clear Block Lock Bit command and "Set Lock-down" means Set Block Lock-Down Bit command.
2. When the Set Block Lock-Down Bit command is written to the unlocked block (DQ₀=0), the corresponding block is locked-down and automatically locked at the same time.
3. "No Change" means that the state remains unchanged after the command written.
4. In this state transitions table, assumes that WP#/ACC is not changed and fixed V_{IL} or V_{IH}.

Table 7. Block Locking State Transitions upon WP#/ACC Transition⁽⁴⁾

Previous State	Current State				Result after WP#/ACC Transition (Next State)	
	State	WP#/ACC	DQ ₁	DQ ₀	WP#/ACC=0→1 ⁽¹⁾	WP#/ACC=1→0 ⁽¹⁾
-	[000]	0	0	0	[100]	-
-	[001]	0	0	1	[101]	-
[110] ⁽²⁾	[011]	0	1	1	[110]	-
Other than [110] ⁽²⁾					[111]	-
-	[100]	1	0	0	-	[000]
-	[101]	1	0	1	-	[001]
-	[110]	1	1	0	-	[011] ⁽³⁾
-	[111]	1	1	1	-	[011]

NOTES:

1. "WP#/ACC=0→1" means that WP#/ACC is driven to V_{IH} and "WP#/ACC=1→0" means that WP#/ACC is driven to V_{IL}.
2. State transition from the current state [011] to the next state depends on the previous state.
3. When WP#/ACC is driven to V_{IL} in [110] state, the state changes to [011] and the blocks are automatically locked.
4. In this state transitions table, assumes that lock configuration commands are not written in previous, current and next state.

Table 8. Status Register Definition

R	R	R	R	R	R	R	R
15	14	13	12	11	10	9	8
WSMS	BESS	BEFCES	POPS	WPACCS	PSS	DPS	R
7	6	5	4	3	2	1	0

<p>SR.15 - SR.8 = RESERVED FOR FUTURE ENHANCEMENTS (R)</p> <p>SR.7 = WRITE STATE MACHINE STATUS (WSMS) 1 = Ready 0 = Busy</p> <p>SR.6 = BLOCK ERASE SUSPEND STATUS (BESS) 1 = Block Erase Suspended 0 = Block Erase in Progress/Completed</p> <p>SR.5 = BLOCK ERASE AND FULL CHIP ERASE STATUS (BEFCES) 1 = Error in Block Erase or Full Chip Erase 0 = Successful Block Erase or Full Chip Erase</p> <p>SR.4 = PROGRAM AND OTP PROGRAM STATUS (POPS) 1 = Error in Program or OTP Program 0 = Successful Program or OTP Program</p> <p>SR.3 = WP#/ACC STATUS (WPACCS) 1 = $V_{CC}+0.4V < WP\#/ACC < 11.7V$ Detect, Operation Abort 0 = WP#/ACC OK</p> <p>SR.2 = PROGRAM SUSPEND STATUS (PSS) 1 = Program Suspended 0 = Program in Progress/Completed</p> <p>SR.1 = DEVICE PROTECT STATUS (DPS) 1 = Erase or Program Attempted on a Locked Block, Operation Abort 0 = Unlocked</p> <p>SR.0 = RESERVED FOR FUTURE ENHANCEMENTS (R)</p>	<p>NOTES:</p> <p>Status Register indicates the status of the WSM (Write State Machine).</p> <p>Check SR.7 or RY/BY# to determine block erase, full chip erase, program or OTP program completion. SR.6 - SR.1 are invalid while SR.7="0".</p> <p>If both SR.5 and SR.4 are "1"s after a block erase, full chip erase, program, set/clear block lock bit, set block lock-down bit attempt, an improper command sequence was entered.</p> <p>SR.3 does not provide a continuous indication of WP#/ACC level. The WSM interrogates and indicates the WP#/ACC level only after Block Erase, Full Chip Erase, Program or OTP Program command sequences. SR.3 is not guaranteed to report accurate feedback when $WP\#/ACC \neq V_{ACCH}$.</p> <p>SR.1 does not provide a continuous indication of block lock bit. The WSM interrogates the block lock bit only after Block Erase, Full Chip Erase, Program or OTP Program command sequences. It informs the system, depending on the attempted operation, if the block lock bit is set. Reading the block lock configuration codes after writing the Read Identifier Codes/OTP command indicates block lock bit status.</p> <p>SR.15 - SR.8 and SR.0 are reserved for future use and should be masked out when polling the status register.</p>
---	---

1 Electrical Specifications

1.1 Absolute Maximum Ratings*

Operating Temperature

During Read, Erase and Program ...-40°C to +85°C (1)

Storage Temperature

During under Bias..... -40°C to +85°C

During non Bias..... -65°C to +125°C

Voltage On Any Pin (except V_{CC} and WP#/ACC)

..... -0.5V to V_{CC}+0.5V (2)

V_{CC} Supply Voltage -0.2V to +3.9V (2)

WP#/ACC Supply Voltage -0.2V to +12.6V (2, 3, 4)

Output Short Circuit Current..... 100mA (5)

***WARNING:** Stressing the device beyond the "Absolute Maximum Ratings" may cause permanent damage. These are stress ratings only. Operation beyond the "Operating Conditions" is not recommended and extended exposure beyond the "Operating Conditions" may affect device reliability.

NOTES:

1. Operating temperature is for extended temperature product defined by this specification.
2. All specified voltages are with respect to GND. Minimum DC voltage is -0.5V on input/output pins and -0.2V on V_{CC} and WP#/ACC pins. During transitions, this level may undershoot to -2.0V for periods <20ns. Maximum DC voltage on input/output pins is V_{CC}+0.5V which, during transitions, may overshoot to V_{CC}+2.0V for periods <20ns.
3. Maximum DC voltage on WP#/ACC may overshoot to +13.0V for periods <20ns.
4. WP#/ACC erase/program voltage is normally 2.7V-3.6V. Applying 11.7V-12.3V to WP#/ACC during erase/program can be done for a maximum of 1,000 cycles on each block. WP#/ACC may be connected to 11.7V-12.3V for a total of 80 hours maximum.
5. Output shorted for no more than one second. No more than one output shorted at a time.

1.2 Operating Conditions

Parameter	Symbol	Min.	Typ.	Max.	Unit	Notes
Operating Temperature	T _A	-40	+25	+85	°C	
V _{CC} Supply Voltage	V _{CC}	2.7	3.0	3.6	V	1
WP#/ACC Voltage when Used as a Logic Control	V _{IL}	-0.2		0.4	V	1
	V _{IH}	2.4		V _{CC} +0.4	V	
WP#/ACC Supply Voltage	V _{ACCH}	11.7	12.0	12.3	V	1, 2
Block Erase Cycling: WP#/ACC=V _{IL} or V _{IH}		100,000			Cycles	
Block Erase Cycling: WP#/ACC=V _{ACCH} , 80 hrs.				1,000	Cycles	
Maximum WP#/ACC hours at V _{ACCH}				80	Hours	

NOTES:

1. See DC Characteristics tables for voltage range-specific specification.
2. Applying WP#/ACC=11.7V-12.3V during a erase or program can be done for a maximum of 1,000 cycles on each block. A permanent connection to WP#/ACC=11.7V-12.3V is not allowed and can cause damage to the device.

1.2.1 Capacitance ⁽¹⁾ ($T_A=+25^\circ\text{C}$, $f=1\text{MHz}$)

Parameter	Symbol	Condition	Min.	Typ.	Max.	Unit
Input Capacitance	C_{IN}	$V_{IN}=0.0\text{V}$		4	7	pF
WP#/ACC Input Capacitance	C_{IN}	$V_{IN}=0.0\text{V}$		18	22	pF
Output Capacitance	C_{OUT}	$V_{OUT}=0.0\text{V}$		6	10	pF

NOTE:

1. Sampled, not 100% tested.

1.2.2 AC Input/Output Test Conditions

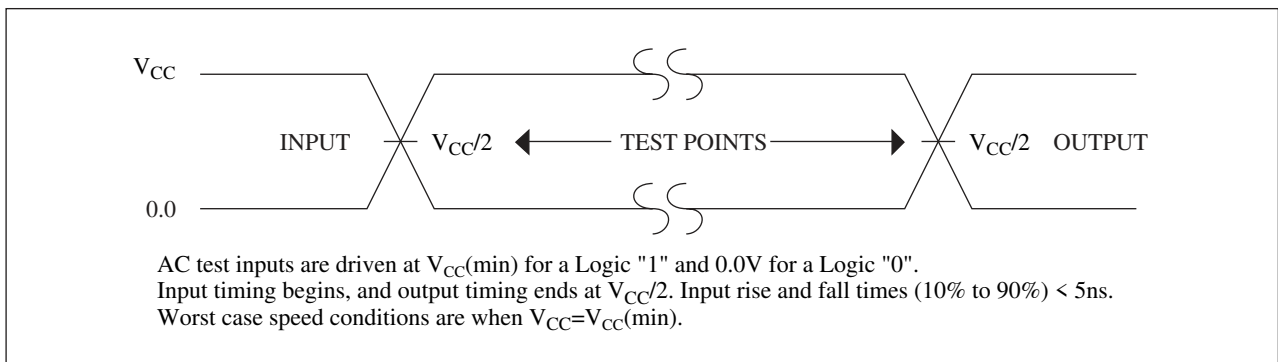


Figure 4. Transient Input/Output Reference Waveform for $V_{CC}=2.7\text{V}-3.6\text{V}$

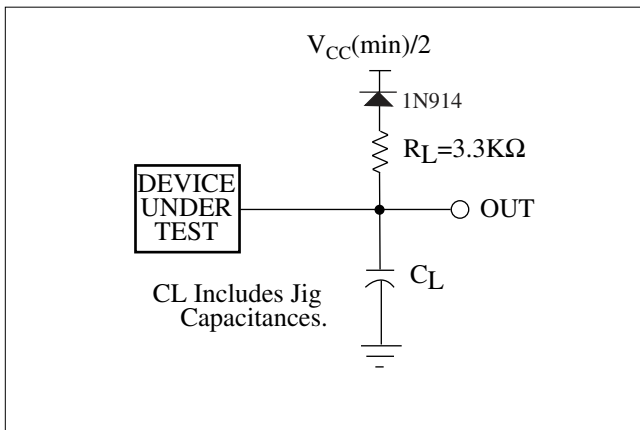


Figure 5. Transient Equivalent Testing Load Circuit

Table 9. Test Configuration Capacitance Loading Value

Test Configuration	C_L (pF)
$V_{CC}=2.7\text{V}-3.6\text{V}$	50

1.2.3 DC Characteristics

$$V_{CC}=2.7V-3.6V$$

Symbol	Parameter	Notes	Min.	Typ.	Max.	Unit	Test Conditions
I_{LI}	Input Load Current	1	-1.0		+1.0	μA	$V_{CC}=V_{CCMax.}$, $V_{IN}/V_{OUT}=V_{CC}$ or GND
I_{LO}	Output Leakage Current	1	-1.0		+1.0	μA	$V_{IN}/V_{OUT}=V_{CC}$ or GND
I_{CCS}	V_{CC} Standby Current	1,6,7		4	10	μA	$V_{CC}=V_{CCMax.}$, CE#=RST#= $V_{CC}\pm 0.2V$, WP#/ACC= V_{CC} or GND
I_{CCAS}	V_{CC} Automatic Power Savings Current	1,3,6		4	10	μA	$V_{CC}=V_{CCMax.}$, CE#=GND $\pm 0.2V$, WP#/ACC= V_{CC} or GND
I_{CCD}	V_{CC} Reset Current	1,6		4	10	μA	RST#=GND $\pm 0.2V$
I_{CCR}	V_{CC} Read Current	1,6			17	mA	$V_{CC}=V_{CCMax.}$, CE#= V_{IL} , OE#= V_{IH} , f=5MHz
I_{CCW}	V_{CC} Program Current	1,4,6		20	60	mA	WP#/ACC= V_{IL} or V_{IH}
		1,4,6		10	20	mA	WP#/ACC= V_{ACCH}
I_{CCE}	V_{CC} Block Erase, Full Chip Erase Current	1,4,6		10	30	mA	WP#/ACC= V_{IL} or V_{IH}
		1,4,6		4	10	mA	WP#/ACC= V_{ACCH}
I_{CCWS} I_{CCES}	V_{CC} Program or Block Erase Suspend Current	1,2,6		10	200	μA	CE#= V_{IH}
I_{ACCS} I_{ACCR}	WP#/ACC Standby or Read Current	1,5,6		2	5	μA	WP#/ACC $\leq V_{CC}$
I_{ACCW}	WP#/ACC Program Current	1,4,5,6		2	5	μA	WP#/ACC= V_{IL} or V_{IH}
		1,4,5,6		10	30	mA	WP#/ACC= V_{ACCH}
I_{ACCE}	WP#/ACC Block Erase, Full Chip Erase Current	1,4,5,6		2	5	μA	WP#/ACC= V_{IL} or V_{IH}
		1,4,5,6		5	15	mA	WP#/ACC= V_{ACCH}
I_{ACCWS}	WP#/ACC Program Suspend Current	1,5,6		2	5	μA	WP#/ACC= V_{IL} or V_{IH}
		1,5,6		10	200	μA	WP#/ACC= V_{ACCH}
I_{ACCES}	WP#/ACC Block Erase Suspend Current	1,5,6		2	5	μA	WP#/ACC= V_{IL} or V_{IH}
		1,5,6		10	200	μA	WP#/ACC= V_{ACCH}

DC Characteristics (Continued)

$V_{CC}=2.7V-3.6V$

Symbol	Parameter	Notes	Min.	Typ.	Max.	Unit	Test Conditions
V_{IL}	Input Low Voltage	5	-0.4		0.4	V	
V_{IH}	Input High Voltage	4	2.4		$V_{CC} + 0.4$	V	
V_{OL}	Output Low Voltage	4,7			0.2	V	$V_{CC}=V_{CCMin.}$, $I_{OL}=100\mu A$
V_{OH}	Output High Voltage	4	$V_{CC} - 0.2$			V	$V_{CC}=V_{CCMin.}$, $I_{OH}=-100\mu A$
V_{ACCH}	WP#/ACC during Block Erase, Full Chip Erase, Program or OTP Program Operations	5	11.7	12.0	12.3	V	
V_{LKO}	V_{CC} Lockout Voltage		1.5			V	

NOTES:

- All currents are in RMS unless otherwise noted. Typical values are the reference values at $V_{CC}=3.0V$ and $T_A=+25^\circ C$ unless V_{CC} is specified.
- I_{CCWS} and I_{CCES} are specified with the device de-selected. If read or program is executed while in block erase suspend mode, the device's current draw is the sum of I_{CCES} and I_{CCR} or I_{CCW} . If read is executed while in program suspend mode, the device's current draw is the sum of I_{CCWS} and I_{CCR} .
- The Automatic Power Savings (APS) feature automatically places the device in power save mode after read cycle completion. Standard address access timings (t_{AVQV}) provide new data when addresses are changed.
- Sampled, not 100% tested.
- Applying $12.0V \pm 0.3V$ to WP#/ACC provides fast erasing or fast programming mode. In this mode, WP#/ACC is power supply pin and supplies the memory cell current for block erasing and programming. Use similar power supply trace widths and layout considerations given to the V_{CC} power bus.
Applying $12.0V \pm 0.3V$ to WP#/ACC during erase/program can only be done for a maximum of 1,000 cycles on each block. WP#/ACC may be connected to $12.0V \pm 0.3V$ for a total of 80 hours maximum.
- For all pins other than those shown in test conditions, input level is V_{CC} or GND.
- Includes RY/BY#.

1.2.4 AC Characteristics - Read-Only Operations⁽¹⁾
 $V_{CC}=2.7V-3.6V, T_A=-40^{\circ}C \text{ to } +85^{\circ}C$

Symbol	Parameter	Notes	Min.	Max.	Unit
t_{AVAV}	Read Cycle Time		70		ns
t_{AVQV}	Address to Output Delay			70	ns
t_{ELQV}	CE# to Output Delay	3		70	ns
t_{GLQV}	OE# to Output Delay	3		20	ns
t_{PHQV}	RST# High to Output Delay			150	ns
t_{EHQZ}, t_{GHQZ}	CE# or OE# to Output in High Z, Whichever Occurs First	2		20	ns
t_{ELQX}	CE# to Output in Low Z	2	0		ns
t_{GLQX}	OE# to Output in Low Z	2	0		ns
t_{OH}	Output Hold from First Occurring Address, CE# or OE# change	2	0		ns

NOTES:

1. See AC input/output reference waveform for timing measurements and maximum allowable input slew rate.
2. Sampled, not 100% tested.
3. OE# may be delayed up to $t_{ELQV} - t_{GLQV}$ after the falling edge of CE# without impact to t_{ELQV} .

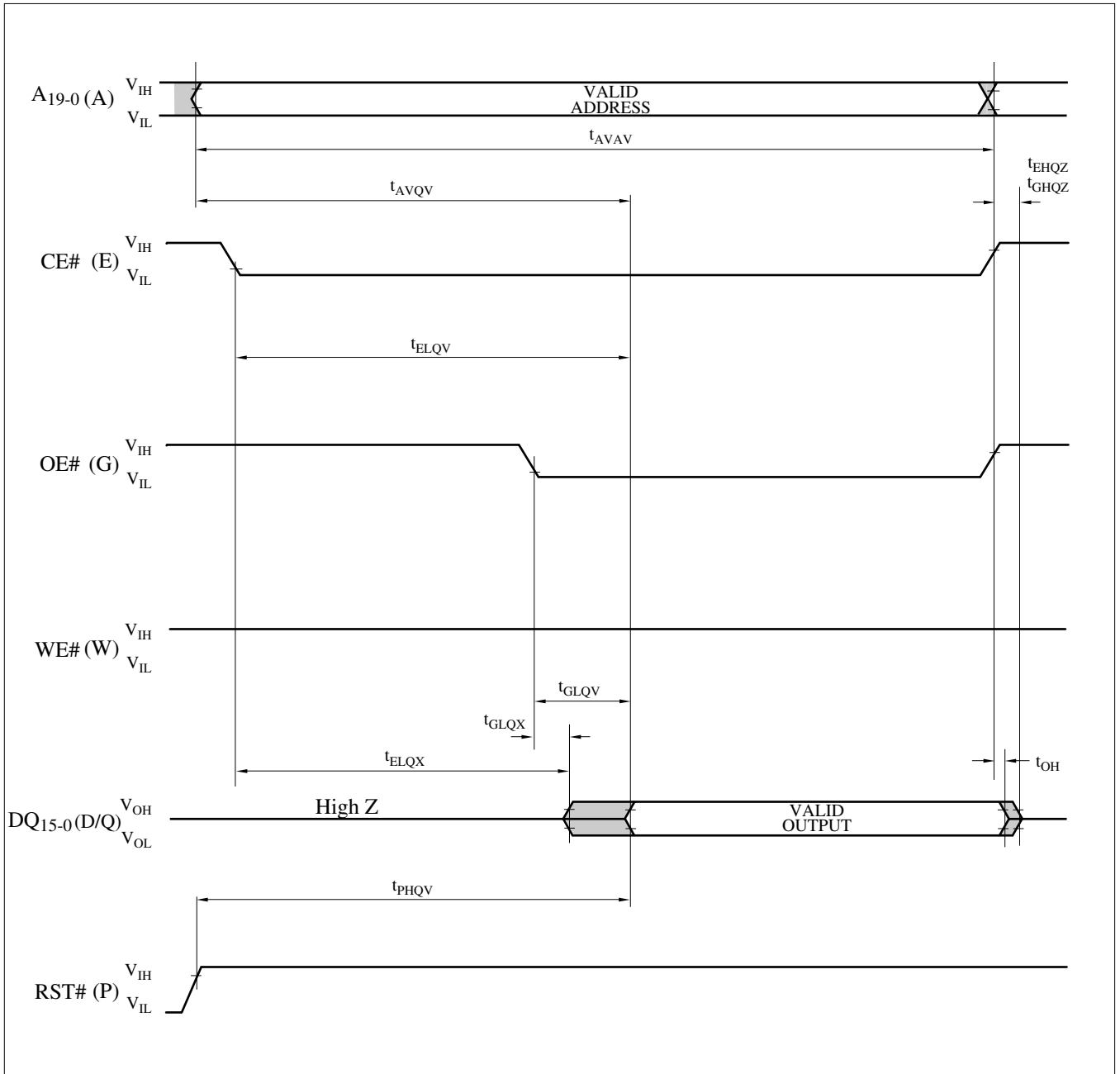


Figure 6. AC Waveform for Read Operations

1.2.5 AC Characteristics - Write Operations^{(1), (2)}

$$V_{CC}=2.7V-3.6V, T_A=-40^{\circ}C \text{ to } +85^{\circ}C$$

Symbol	Parameter	Notes	Min.	Max.	Unit
t_{AVAV}	Write Cycle Time		70		ns
t_{PHWL} (t_{PHEL})	RST# High Recovery to WE# (CE#) Going Low	3	150		ns
t_{ELWL} (t_{WLEL})	CE# (WE#) Setup to WE# (CE#) Going Low		0		ns
t_{WLWH} (t_{ELEH})	WE# (CE#) Pulse Width	4	50		ns
t_{DVWH} (t_{DVEH})	Data Setup to WE# (CE#) Going High	7	40		ns
t_{AVWH} (t_{AVEH})	Address Setup to WE# (CE#) Going High	7	50		ns
t_{WHEH} (t_{EHWH})	CE# (WE#) Hold from WE# (CE#) High		0		ns
t_{WHDX} (t_{EHDX})	Data Hold from WE# (CE#) High		0		ns
t_{WHAX} (t_{EHAX})	Address Hold from WE# (CE#) High		0		ns
t_{WHWL} (t_{EHEL})	WE# (CE#) Pulse Width High	5	20		ns
t_{SHWH} (t_{SHEH})	WP#/ACC High Setup to WE# (CE#) Going High	WP#/ACC= V_{IH}	0		ns
		WP#/ACC= V_{ACCH}	200		
t_{WHGL} (t_{EHGL})	Write Recovery before Read		30		ns
t_{QVSL}	WP#/ACC High Hold from Valid SRD, RY/BY# High Z	3	0		ns
t_{WHR0} (t_{EHR0})	WE# (CE#) High to SR.7 Going "0"	3, 6		$t_{AVQV} + 50$	ns
t_{WHRL} (t_{EHRL})	WE# (CE#) High to RY/BY# Going Low	3		100	ns

NOTES:

- The timing characteristics for reading the status register during block erase, full chip erase, program and OTP program operations are the same as during read-only operations. Refer to AC Characteristics for read-only operations.
- A write operation can be initiated and terminated with either CE# or WE#.
- Sampled, not 100% tested.
- Write pulse width (t_{WP}) is defined from the falling edge of CE# or WE# (whichever goes low last) to the rising edge of CE# or WE# (whichever goes high first). Hence, $t_{WP}=t_{WLWH}=t_{ELEH}=t_{WLEH}=t_{ELWH}$.
- Write pulse width high (t_{WPH}) is defined from the rising edge of CE# or WE# (whichever goes high first) to the falling edge of CE# or WE# (whichever goes low last). Hence, $t_{WPH}=t_{WHWL}=t_{EHEL}=t_{WHEL}=t_{EHWL}$.
- t_{WHR0} (t_{EHR0}) after the Read Query or Read Identifier Codes/OTP command= $t_{AVQV}+100ns$.
- Refer to Table 4 for valid address and data for block erase, full chip erase, program, OTP program or lock bit configuration.

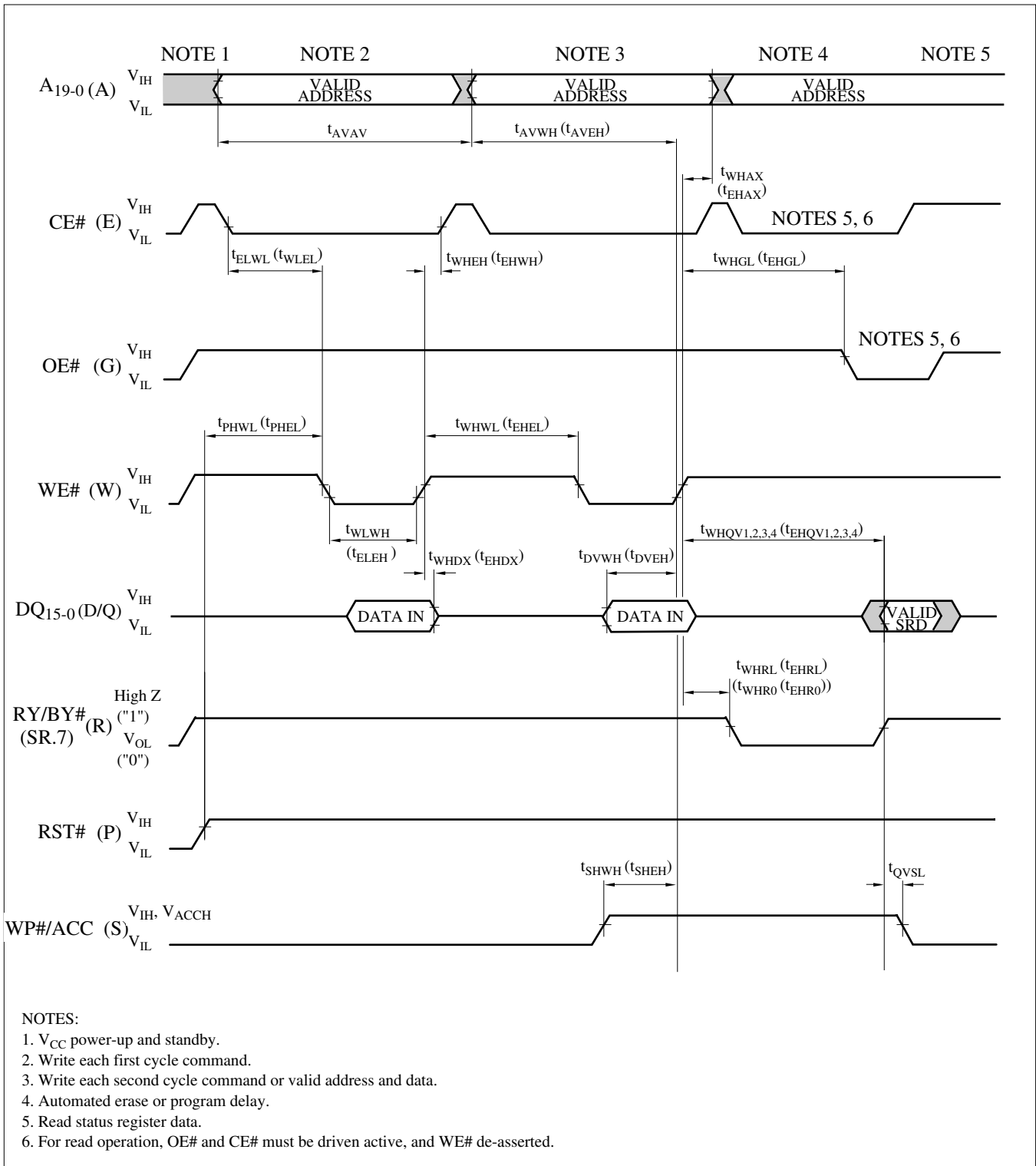


Figure 7. AC Waveform for Write Operations

1.2.6 Reset Operations

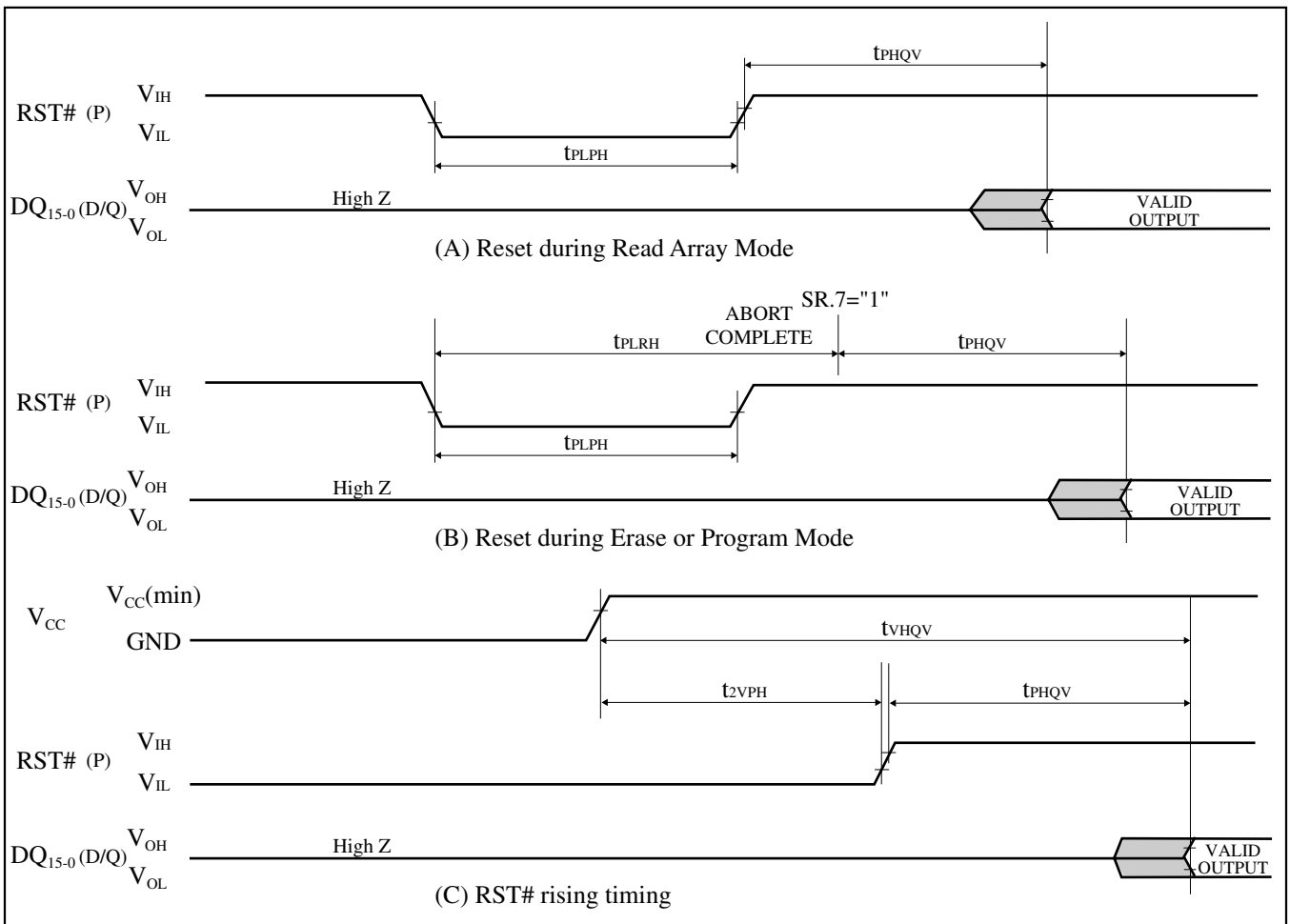


Figure 8. AC Waveform for Reset Operations

Reset AC Specifications ($V_{CC}=2.7V-3.6V$, $T_A=-40^{\circ}C$ to $+85^{\circ}C$)

Symbol	Parameter	Notes	Min.	Max.	Unit
t_{PLPH}	RST# Low to Reset during Read (RST# should be low during power-up.)	1, 2, 3	100		ns
t_{PLRH}	RST# Low to Reset during Erase or Program	1, 3, 4		22	μs
t_{2VPH}	V_{CC} 2.7V to RST# High	1, 3, 5	100		ns
t_{VHQV}	V_{CC} 2.7V to Output Delay	3		1	ms

NOTES:

1. A reset time, t_{PHQV} , is required from the later of SR.7 (RY/BY#) going "1" (High Z) or RST# going high until outputs are valid. Refer to AC Characteristics - Read-Only Operations for t_{PHQV} .
2. t_{PLPH} is <100ns the device may still reset but this is not guaranteed.
3. Sampled, not 100% tested.
4. If RST# asserted while a block erase, full chip erase, program or OTP program operation is not executing, the reset will complete within 100ns.
5. When the device power-up, holding RST# low minimum 100ns is required after V_{CC} has been in predefined range and also has been in stable there.

1.2.7 Block Erase, Full Chip Erase, Program and OTP Program Performance⁽³⁾

$$V_{CC}=2.7V-3.6V, T_A=-40^{\circ}C \text{ to } +85^{\circ}C$$

Symbol	Parameter	Notes	WP#/ACC= V_{IL} or V_{IH} (In System)			WP#/ACC= V_{ACCH} (In Manufacturing)			Unit
			Min.	Typ. ⁽¹⁾	Max. ⁽²⁾	Min.	Typ. ⁽¹⁾	Max. ⁽²⁾	
t_{WPB}	4-Kword Parameter Block Program Time	2		0.05	0.3		0.04	0.12	s
t_{WMB1}	32-Kword Block Program Time	2		0.34	2.4		0.31	1.0	s
t_{WMB2}	64-Kword Block Program Time	2		0.68	4.8		0.62	2.0	s
$t_{WHQV1}/$ t_{EHQV1}	Word Program Time	2		10	200		9	185	μ s
$t_{WHOV1}/$ t_{EHOV1}	OTP Program Time	2		36	400		27	185	μ s
$t_{WHQV2}/$ t_{EHQV2}	4-Kword Parameter Block Erase Time	2		0.26	4		0.2	4	s
$t_{WHQV3}/$ t_{EHQV3}	32-Kword Block Erase Time	2		0.51	5		0.5	5	s
$t_{WHQV4}/$ t_{EHQV4}	64-Kword Block Erase Time	2		0.82	8		0.8	8	s
	Full Chip Erase Time	2		20	175		16.5	175	s
$t_{WHRH1}/$ t_{EHRH1}	Program Suspend Latency Time to Read	4		5	10		5	10	μ s
$t_{WHRH2}/$ t_{EHRH2}	Block Erase Suspend Latency Time to Read	4		5	20		5	20	μ s
t_{ERES}	Latency Time from Block Erase Resume Command to Block Erase Suspend Command	5	500			500			μ s

NOTES:

1. Typical values measured at $V_{CC}=3.0V$, WP#/ACC=3.0V or 12.0V, and $T_A=+25^{\circ}C$. Assumes corresponding lock bits are not set. Subject to change based on device characterization.
2. Excludes external system-level overhead.
3. Sampled, but not 100% tested.
4. A latency time is required from writing suspend command (WE# or CE# going high) until SR.7 going "1" or RY/BY# going High Z.
5. If the interval time from a Block Erase Resume command to a subsequent Block Erase Suspend command is shorter than t_{ERES} and its sequence is repeated, the block erase operation may not be finished.

2 Related Document Information⁽¹⁾

Document No.	Document Name
FUM03802	LHF00LXX series Appendix

NOTE:

1. International customers should contact their local SHARP or distribution sales offices.

A-1 RECOMMENDED OPERATING CONDITIONS

A-1.1 At Device Power-Up

AC timing illustrated in Figure A-1 is recommended for the supply voltages and the control signals at device power-up. If the timing in the figure is ignored, the device may not operate correctly.

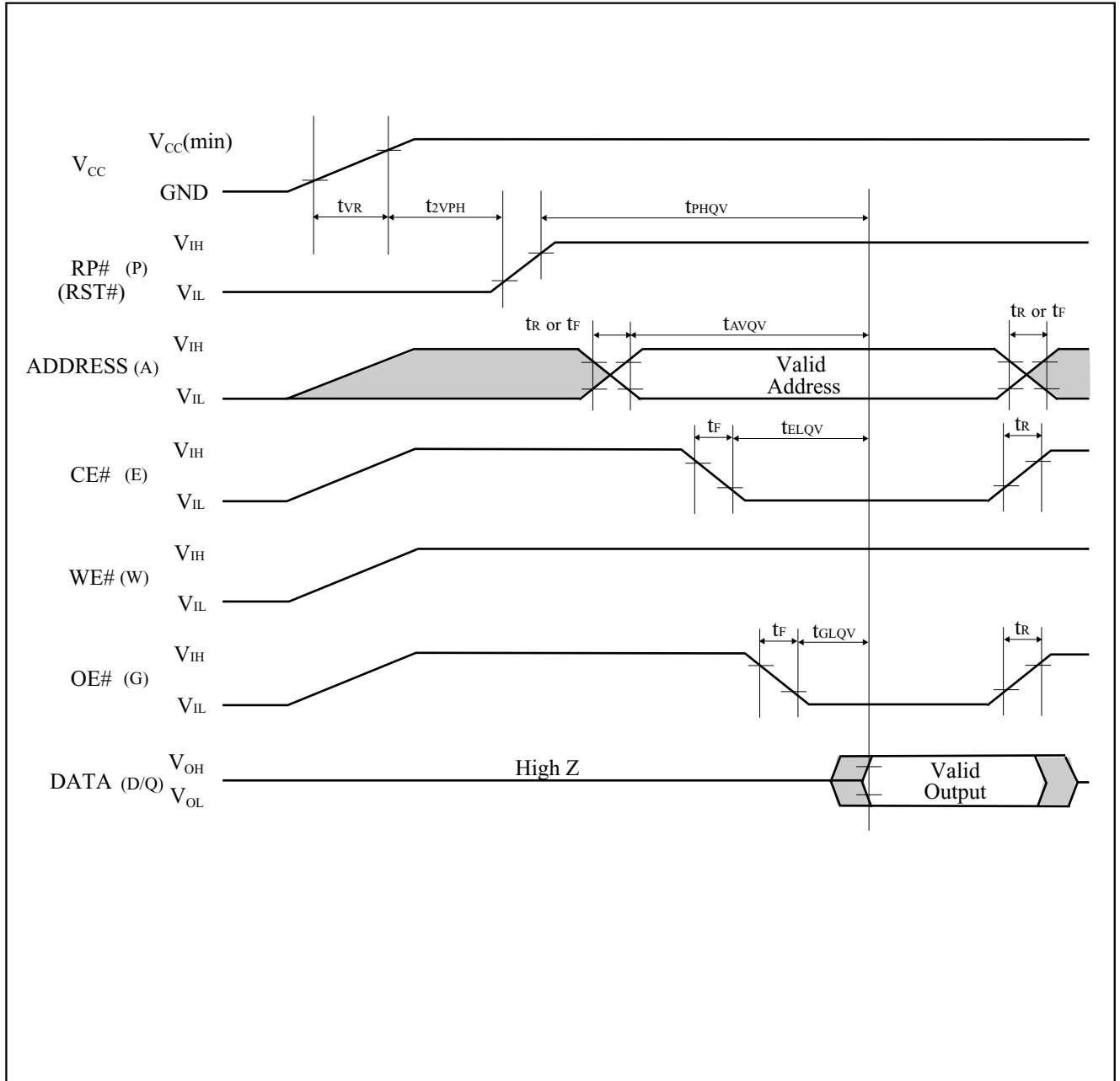


Figure A-1. AC Timing at Device Power-Up

For the AC specifications t_{VR} , t_r , t_f in the figure, refer to the next page. See the “ELECTRICAL SPECIFICATIONS” described in specifications for the supply voltage range, the operating temperature and the AC specifications not shown in the next page.

A-1.1.1 Rise and Fall Time

Symbol	Parameter	Notes	Min.	Max.	Unit
t_{VR}	V_{CC} Rise Time	1	0.5	30000	$\mu\text{s}/\text{V}$
t_R	Input Signal Rise Time	1, 2		1	$\mu\text{s}/\text{V}$
t_F	Input Signal Fall Time	1, 2		1	$\mu\text{s}/\text{V}$

NOTES:

1. Sampled, not 100% tested.
2. This specification is applied for not only the device power-up but also the normal operations.

A-1.2 Glitch Noises

Do not input the glitch noises which are below V_{IH} (Min.) or above V_{IL} (Max.) on address, data, reset, and control signals, as shown in Figure A-2 (b). The acceptable glitch noises are illustrated in Figure A-2 (a).

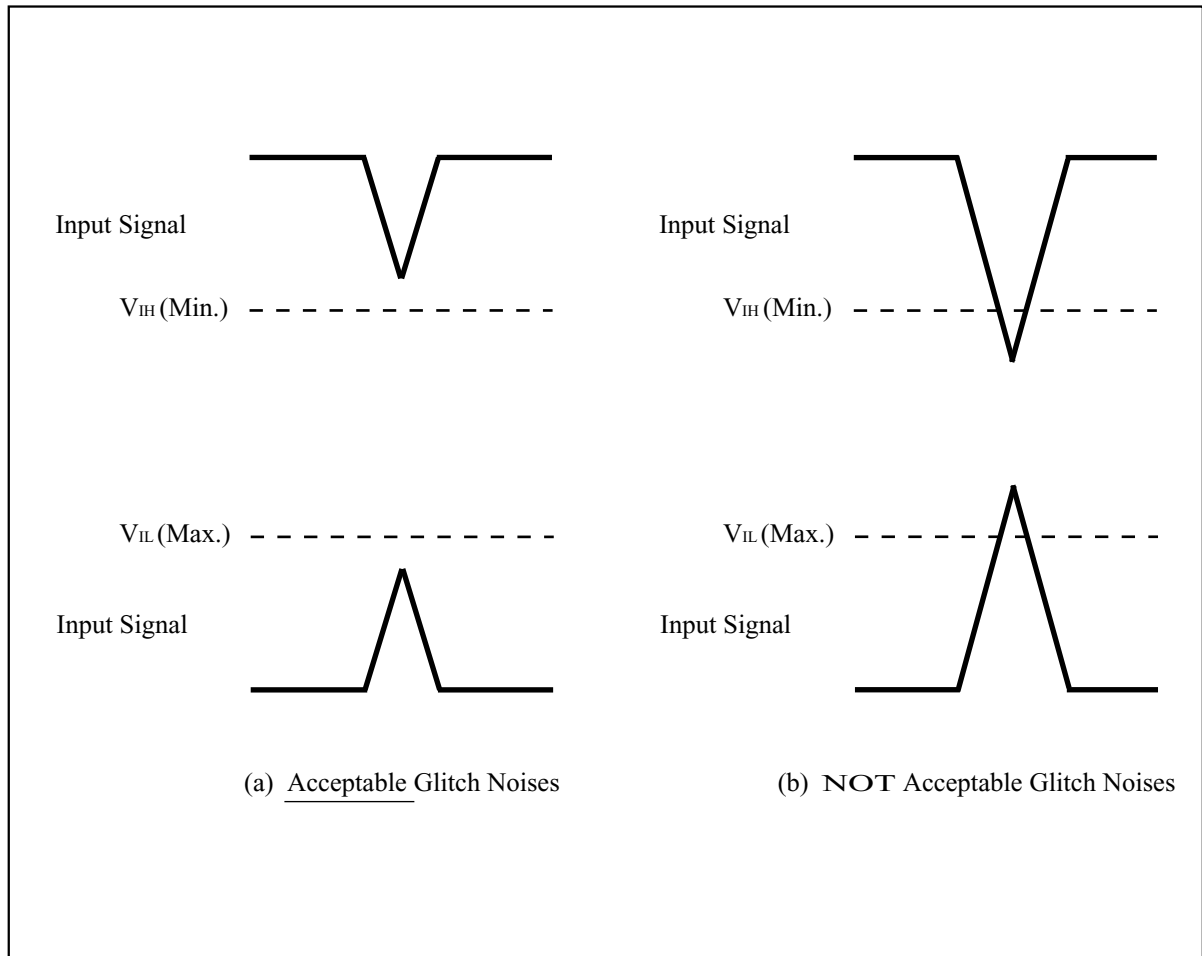


Figure A-2. Waveform for Glitch Noises

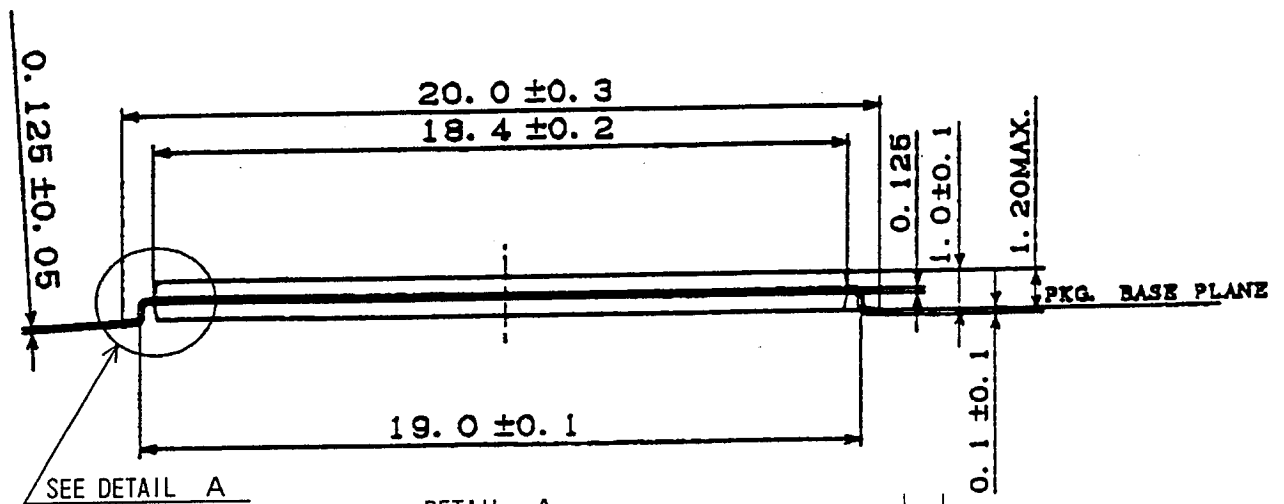
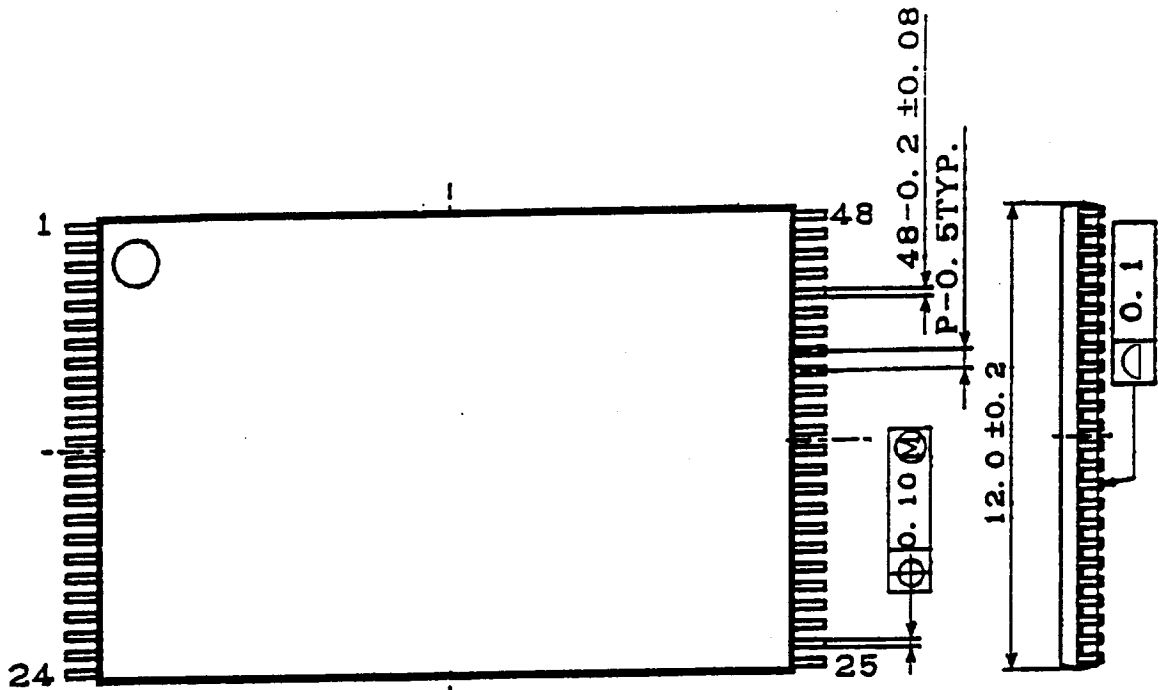
See the “DC CHARACTERISTICS” described in specifications for V_{IH} (Min.) and V_{IL} (Max.).

A-2 RELATED DOCUMENT INFORMATION⁽¹⁾

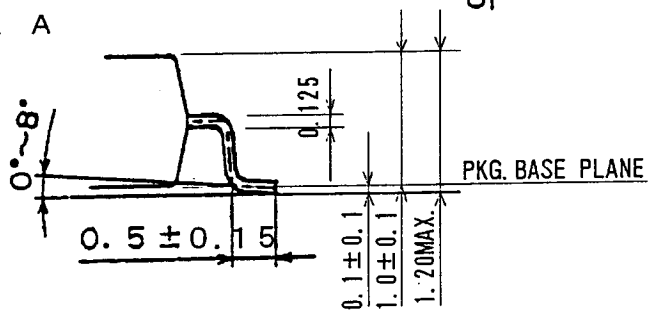
Document No.	Document Name
AP-001-SD-E	Flash Memory Family Software Drivers
AP-006-PT-E	Data Protection Method of SHARP Flash Memory
AP-007-SW-E	RP#, V _{PP} Electric Potential Switching Circuit

NOTE:

1. International customers should contact their local SHARP or distribution sales office.



DETAIL A



名称 NAME	TSOP48-P-1220	リード仕上 LEAD FINISH	TIN-LEAD PLATING	備考 NOTE	プラスチックパッケージ外形寸法は、バリを含まないものとする。 Plastic body dimensions do not include burr of resin.
DRAWING NO.	AA1142	単位 UNIT	mm		

SPECIFICATIONS ARE SUBJECT TO CHANGE WITHOUT NOTICE.

Suggested applications (if any) are for standard use; See Important Restrictions for limitations on special applications. See Limited Warranty for SHARP's product warranty. The Limited Warranty is in lieu, and exclusive of, all other warranties, express or implied. ALL EXPRESS AND IMPLIED WARRANTIES, INCLUDING THE WARRANTIES OF MERCHANTABILITY, FITNESS FOR USE AND FITNESS FOR A PARTICULAR PURPOSE, ARE SPECIFICALLY EXCLUDED. In no event will SHARP be liable, or in any way responsible, for any incidental or consequential economic or property damage.

SHARP®

NORTH AMERICA

SHARP Microelectronics of the Americas
5700 NW Pacific Rim Blvd.
Camas, WA 98607, U.S.A.
Phone: (1) 360-834-2500
Fax: (1) 360-834-8903
Fast Info: (1) 800-833-9437
www.sharpsma.com

EUROPE

SHARP Microelectronics Europe
Division of Sharp Electronics (Europe) GmbH
Sonninstrasse 3
20097 Hamburg, Germany
Phone: (49) 40-2376-2286
Fax: (49) 40-2376-2232
www.sharpsme.com

JAPAN

SHARP Corporation
Electronic Components & Devices
22-22 Nagaike-cho, Abeno-Ku
Osaka 545-8522, Japan
Phone: (81) 6-6621-1221
Fax: (81) 6117-725300/6117-725301
www.sharp-world.com

TAIWAN

SHARP Electronic Components
(Taiwan) Corporation
8F-A, No. 16, Sec. 4, Nanking E. Rd.
Taipei, Taiwan, Republic of China
Phone: (886) 2-2577-7341
Fax: (886) 2-2577-7326/2-2577-7328

SINGAPORE

SHARP Electronics (Singapore) PTE., Ltd.
438A, Alexandra Road, #05-01/02
Alexandra Technopark,
Singapore 119967
Phone: (65) 271-3566
Fax: (65) 271-3855

KOREA

SHARP Electronic Components
(Korea) Corporation
RM 501 Geosung B/D, 541
Dohwa-dong, Mapo-ku
Seoul 121-701, Korea
Phone: (82) 2-711-5813 ~ 8
Fax: (82) 2-711-5819

CHINA

SHARP Microelectronics of China
(Shanghai) Co., Ltd.
28 Xin Jin Qiao Road King Tower 16F
Pudong Shanghai, 201206 P.R. China
Phone: (86) 21-5854-7710/21-5834-6056
Fax: (86) 21-5854-4340/21-5834-6057

Head Office:

No. 360, Bashen Road,
Xin Development Bldg. 22
Waigaoqiao Free Trade Zone Shanghai
200131 P.R. China
Email: smc@china.global.sharp.co.jp

HONG KONG

SHARP-ROXY (Hong Kong) Ltd.
3rd Business Division,
17/F, Admiralty Centre, Tower 1
18 Harcourt Road, Hong Kong
Phone: (852) 28229311
Fax: (852) 28660779
www.sharp.com.hk

Shenzhen Representative Office:

Room 13B1, Tower C,
Electronics Science & Technology Building
Shen Nan Zhong Road
Shenzhen, P.R. China
Phone: (86) 755-3273731
Fax: (86) 755-3273735