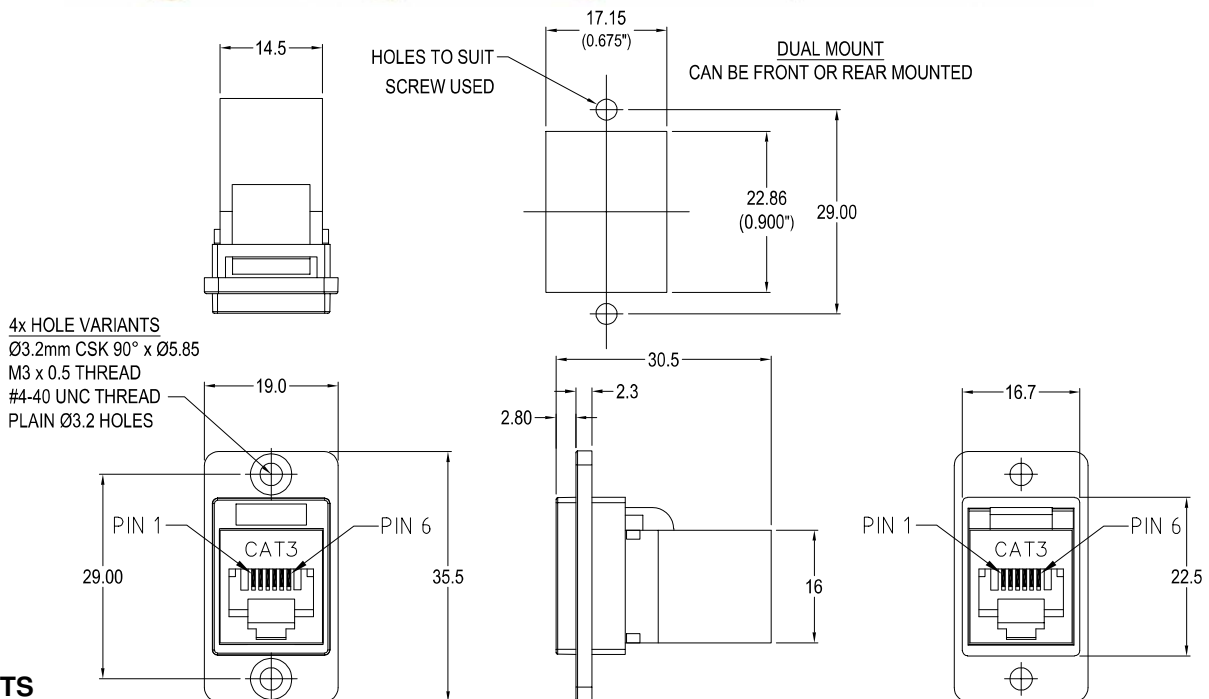


CLIFF

DUALSLIM CAT3 RJ12 6P6C METAL FEEDTHROUGH CONNECTOR

Can be front or rear mounted in the panel



VARIANTS

Part No.

CP30724M	DUALSLIM Cat3 RJ12 6P4C Nickel frame, CSK holes
CP30724MB	DUALSLIM Cat3 RJ12 6P4C Black metal frame, CSK holes
CP30724M3	DUALSLIM Cat3 RJ12 6P4C Nickel frame, M3 holes
CP30724MB3	DUALSLIM Cat3 RJ12 6P4C Black metal frame, M3 holes
CP30724M440	DUALSLIM Cat3 RJ12 6P4C Nickel frame, #4-40 holes
CP30724MB440	DUALSLIM Cat3 RJ12 6P4C Black metal frame, #4-40 holes
CP30724MX1	DUALSLIM Cat3 RJ12 6P4C Nickel frame, Ø3.2 PLAIN holes
CP30724MBX1	DUALSLIM Cat3 RJ12 6P4C Black metal frame, Ø3.2 PLAIN holes

Feedthrough Features

- Fits standard rectangular cutout.
- Front or rear mounting through the panel.
- Various hole mounting options.
- No soldering or punch termination. Use standard cable for each connector style.
- Low rear profile.

Material:

1. RJ12 In-Line Coupler: PC/ABS, UL94 V-0 Black
2. RJ12 In-Line Coupler Contact: Phosphor Bronze, 3-50 micro inches gold plating over nickel plate.
3. PCB: FR4, UL94 V-0
4. FT Frame: Diecast, Nickel or Black plated
5. Operating Temperatures: Min -10°C Max +60°C

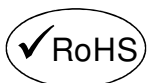
General:

Please note: Functionality is affected by cable quality, length and cable wiring configuration.

For further information, contact sales@cliffuk.co.uk

© CLIFF 07/2022 ISS.1

Cliff Electronic Components Limited,
 76 Holmethorpe Avenue, Holmethorpe Ind. Estate,
 Redhill, Surrey RH1 2PF U.K.
 Tel: +44 (0)1737 771375 Fax: +44 (0)1737 766012



www.cliffuk.co.uk