

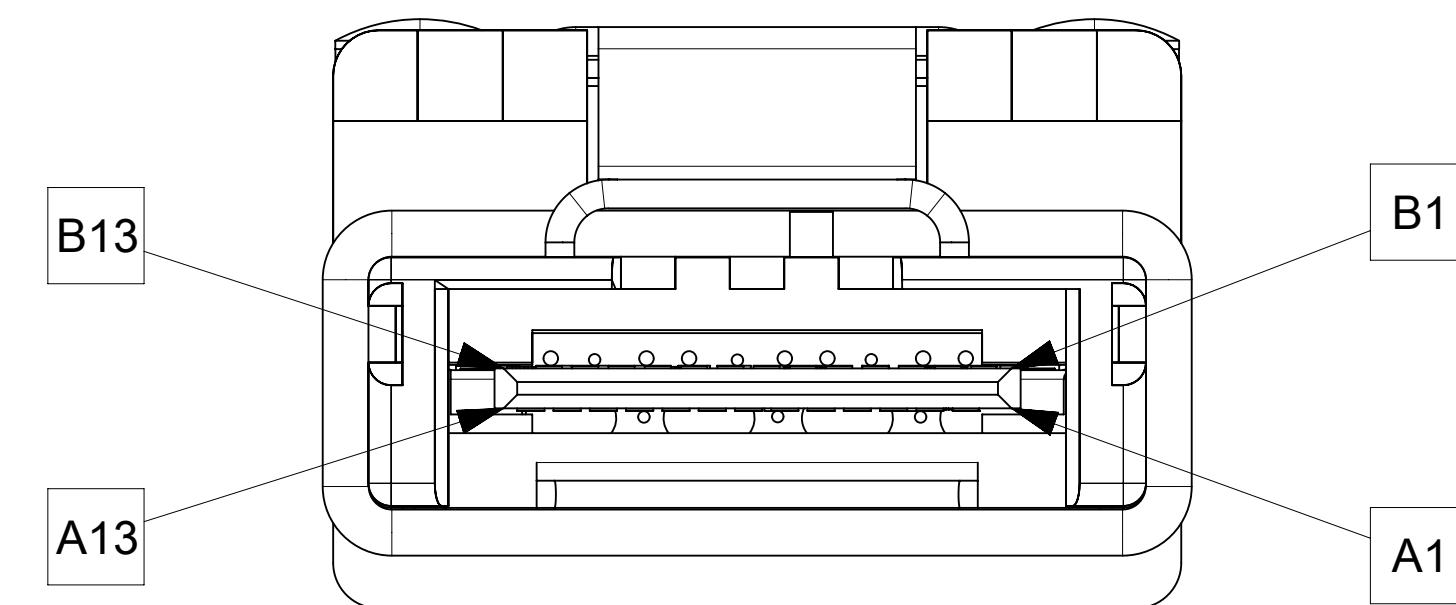
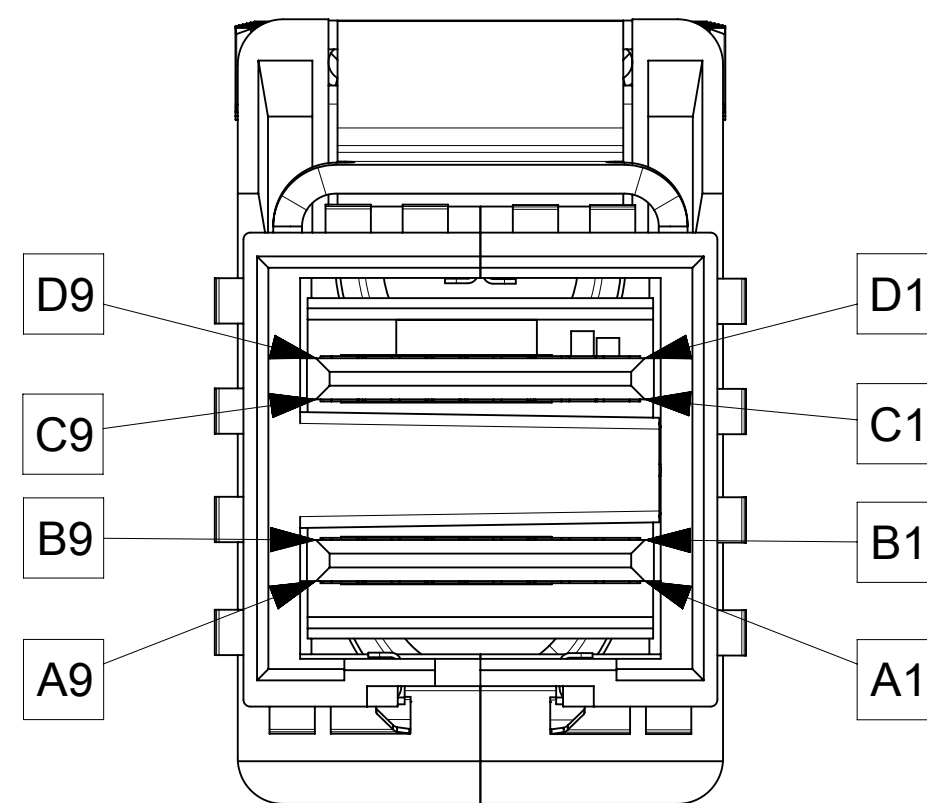
- NOTES:
- MATERIAL= BACKSHELLS - ZINC DIECAST.  
LATCH - STAINLESS STEEL.  
PULL - MOLDED PLASTIC.
  - LENGTH= SEE TABLE.
  - ELECTRICAL PERFORMANCE PER SAS 2.1.
  - ALL ASSEMBLIES HAVE AN EEPROM IN ACCORDANCE WITH SFF 8636.
  - LEAD FREE, NO RoHS EXEMPTIONS.
  - PROTECTIVE DUST CAP TO BE INSTALLED ONTO EACH PLUG.
  - TAPE CABLE BUNDLES EVERY 1/2 METER (APPROX) USING (BLACK) TAPE.

MOLEX P/N	DESCRIPTION	LENGTH (M)	TOLERANCE ±(mm)	KEY	IDENTIFER	GAGE
1110683203	X4 MINISAS 2.0 TO MINISAS HD 2.1	3.0	100	2'4'6	UNIVERSAL KEY, SAS	28

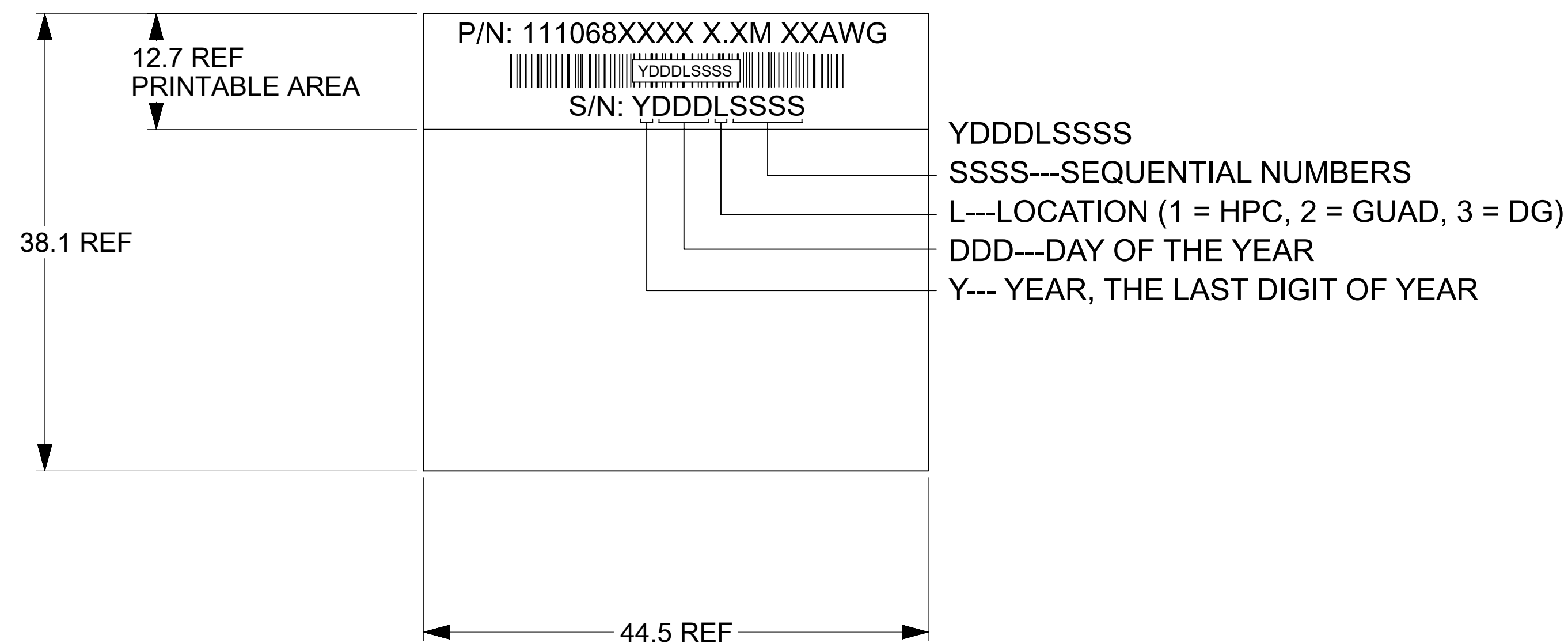
THIS DRAWING CONTAINS INFORMATION THAT IS PROPRIETARY TO MOLEX ELECTRONIC TECHNOLOGIES, LLC AND SHOULD NOT BE USED WITHOUT WRITTEN PERMISSION AS PER PCN#506884

DIMENSION UNITS	SCALE	CURRENT REV DESC: OBSOLETE PART NUMBERS AS PER PCN#506884						
mm	1.75:1	<p><b>molex</b></p> <p>MINISAS HD TO MINISAS 4X CABLE ASSEMBLIES EXTERNAL</p> <p>PRODUCT CUSTOMER DRAWING</p>						
GENERAL TOLERANCES (UNLESS SPECIFIED)								
	MM INCH							
4 PLACES ±	±							
3 PLACES ±	±							
2 PLACES ±	0.13 ±	EC NO: 662770	2021/03/26	DOCUMENT NUMBER		DOC TYPE	DOC PART	REVISION
1 PLACE ±	0.25 ±	DRWN: SUGEEB	2021/06/02	SD-111068-3200		PSD	001	G
0 PLACES ±	±	CHK'D: GGA	2021/06/02	SEE TABLE		GENERAL MARKET		SHEET NUMBER
ANGULAR TOL ±	2.0 °	APPR: GGA	2021/06/02	111068		GENERAL MARKET		1 OF 4
DRAFT WHERE APPLICABLE MUST REMAIN WITHIN DIMENSIONS		THIRD ANGLE PROJECTION	DRAWING	SERIES	MATERIAL NUMBER		CUSTOMER	
			D-SIZE	111068	SEE TABLE		GENERAL MARKET	

MINISAS HD WIRING CHART			
-P1-		-P2-	
GND	D9	..... A1	GND
Tx2-	D8	→ A9	Rx2-
Tx2+	D7	→ A8	Rx2+
GND	D6	..... A7	GND
Tx0-	D5	→ A3	Rx0-
Tx0+	D4	→ A2	Rx0+
GND	D3		
Vman	D2	EEPROM	
Vact	D1		
SCL	C1		
SDA	C2		
GND	C3		A4
Tx1+	C4	→ A5	Rx1+
Tx1-	C5	→ A6	Rx1-
GND	C6	..... A10	GND
Tx3+	C7	→ A11	Rx3+
Tx3-	C8	→ A12	Rx3-
GND	C9	..... A13	GND
GND	B9	..... B1	GND
Rx2-	B8	← B9	Tx2-
Rx2+	B7	← B8	Tx2+
GND	B6	..... B7	GND
Rx0-	B5	← B3	Tx0-
Rx0+	B4	← B2	Tx0+
GND	B3	NC	
ModPrsl	B2	NC	
Vact	B1	NC	
Rev	A1	NC	
IntL	A2	NC	
GND	A3	..... B4	GND
Rx1+	A4	← B5	Tx1+
Rx1-	A5	← B6	Tx1-
GND	A6	..... B10	GND
Rx3+	A7	← B11	Tx3+
Rx3-	A8	← B12	Tx3-
GND	A9	..... B13	GND



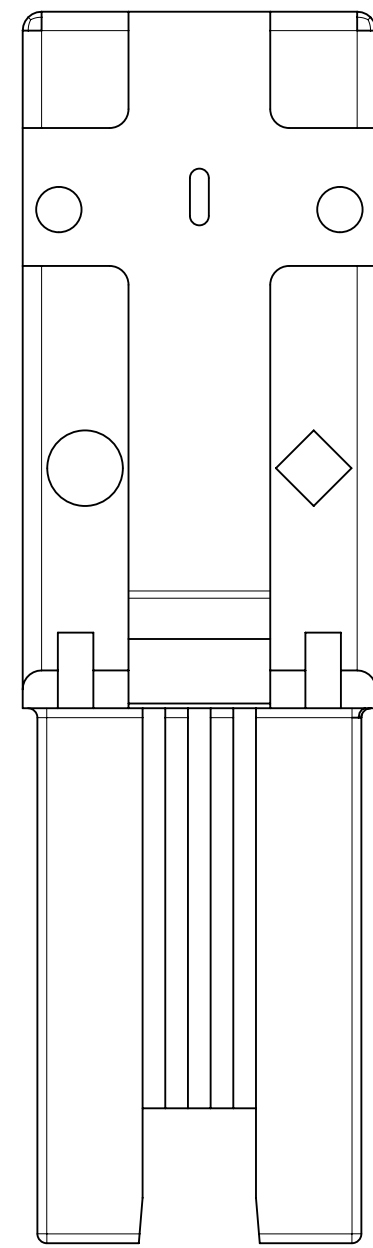
**ID LABEL TEXT**



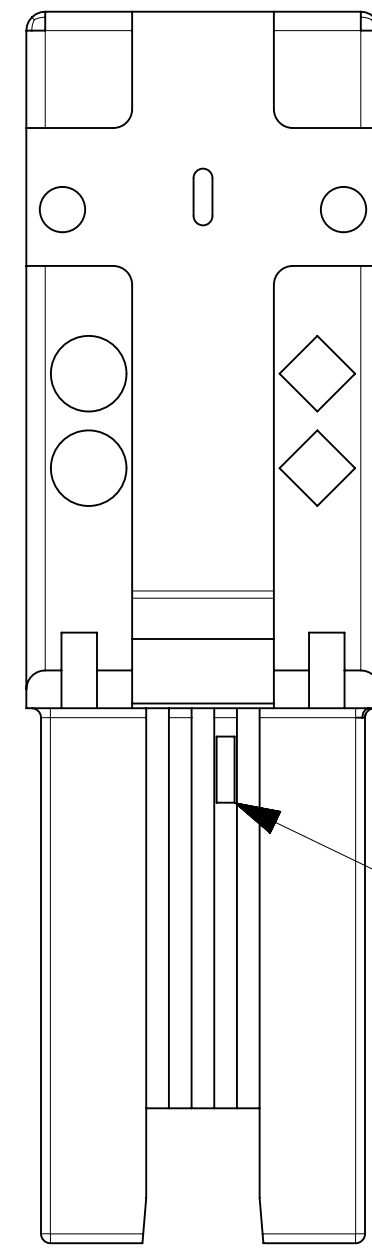
**EEPROM CONNECTIONS**

VACT = WRITE PROTECT  
 SCL = CLOCK SIGNAL  
 SDA = DATA SIGNAL  
 GND = GROUND

THIS DRAWING CONTAINS INFORMATION THAT IS PROPRIETARY TO MOLEX ELECTRONIC TECHNOLOGIES, LLC AND SHOULD NOT BE USED WITHOUT WRITTEN PERMISSION											
DIMENSION UNITS		SCALE		CURRENT REV DESC: OBSOLETE PART NUMBERS AS PER PCN#506884							
mm		5:1		<p><b>molex</b></p> <p>MINISAS HD TO MINISAS 4X CABLE ASSEMBLIES EXTERNAL</p> <p>PRODUCT CUSTOMER DRAWING</p> <p>DOCUMENT NUMBER: <b>SD-111068-3200</b>    DOC TYPE: PSD    DOC PART: 001    REVISION: G</p> <p>DRAFT WHERE APPLICABLE MUST REMAIN WITHIN DIMENSIONS    THIRD ANGLE PROJECTION    DRAWING: D-SIZE    SERIES: 111068    MATERIAL NUMBER: SEE TABLE    CUSTOMER: GENERAL MARKET    SHEET NUMBER: 2 OF 4</p>							
GENERAL TOLERANCES (UNLESS SPECIFIED)											
		MM								INCH	
4 PLACES	±		±							EC NO: 662770	
3 PLACES	±		±							DRWN: SUGEEB    2021/03/26	
2 PLACES	±	0.13	±	CHK'D: GGA    2021/06/02							
1 PLACE	±	0.25	±	APPR: GGA    2021/06/02							
0 PLACES	±		±	INITIAL REVISION:							
ANGULAR TOL		± 2.0°		DRWN: BREED    2010/12/10							
				APPR: RMKHAN    2011/07/24							

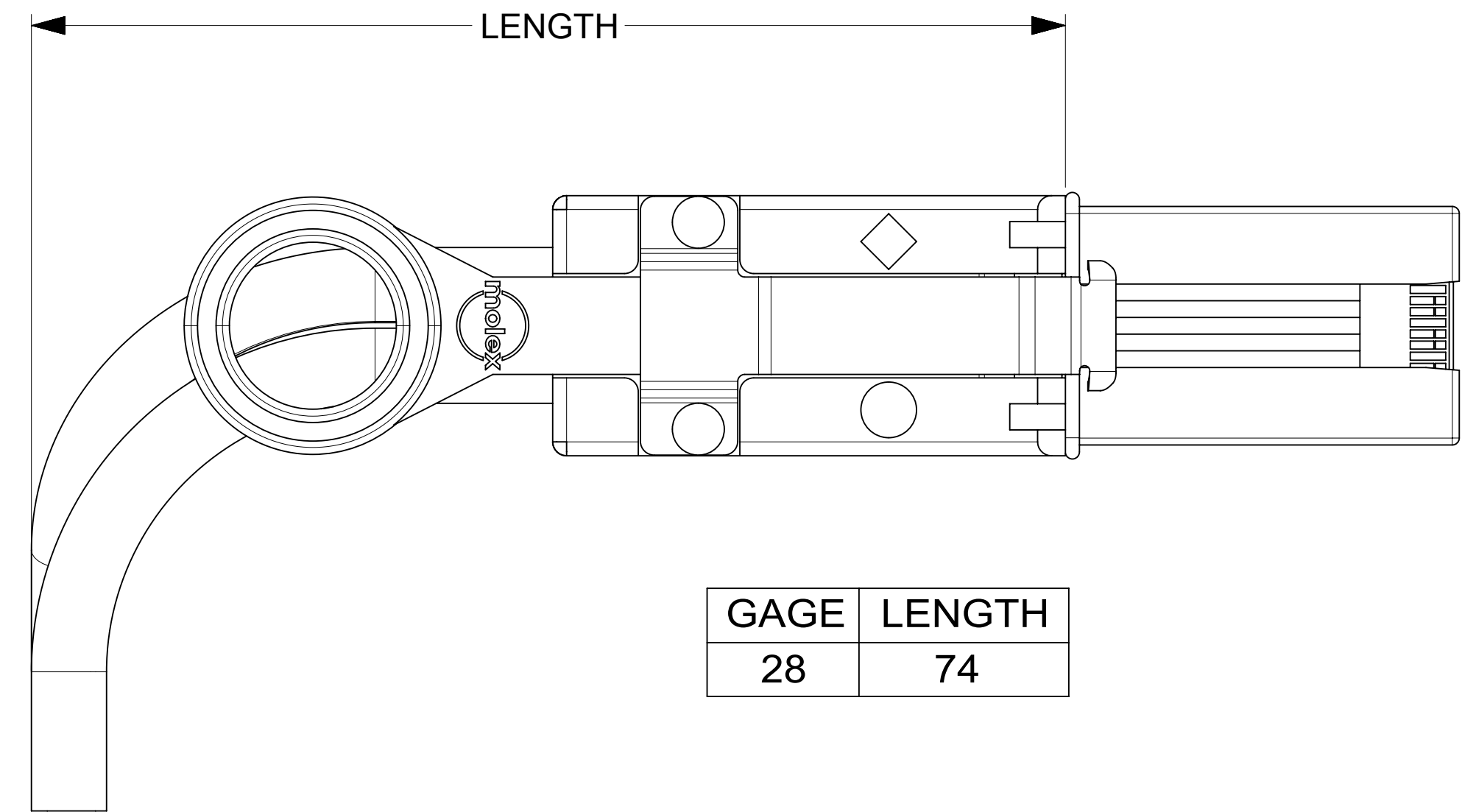


0.5M THRU 6.0M  
SAS 1.1 & 2.0

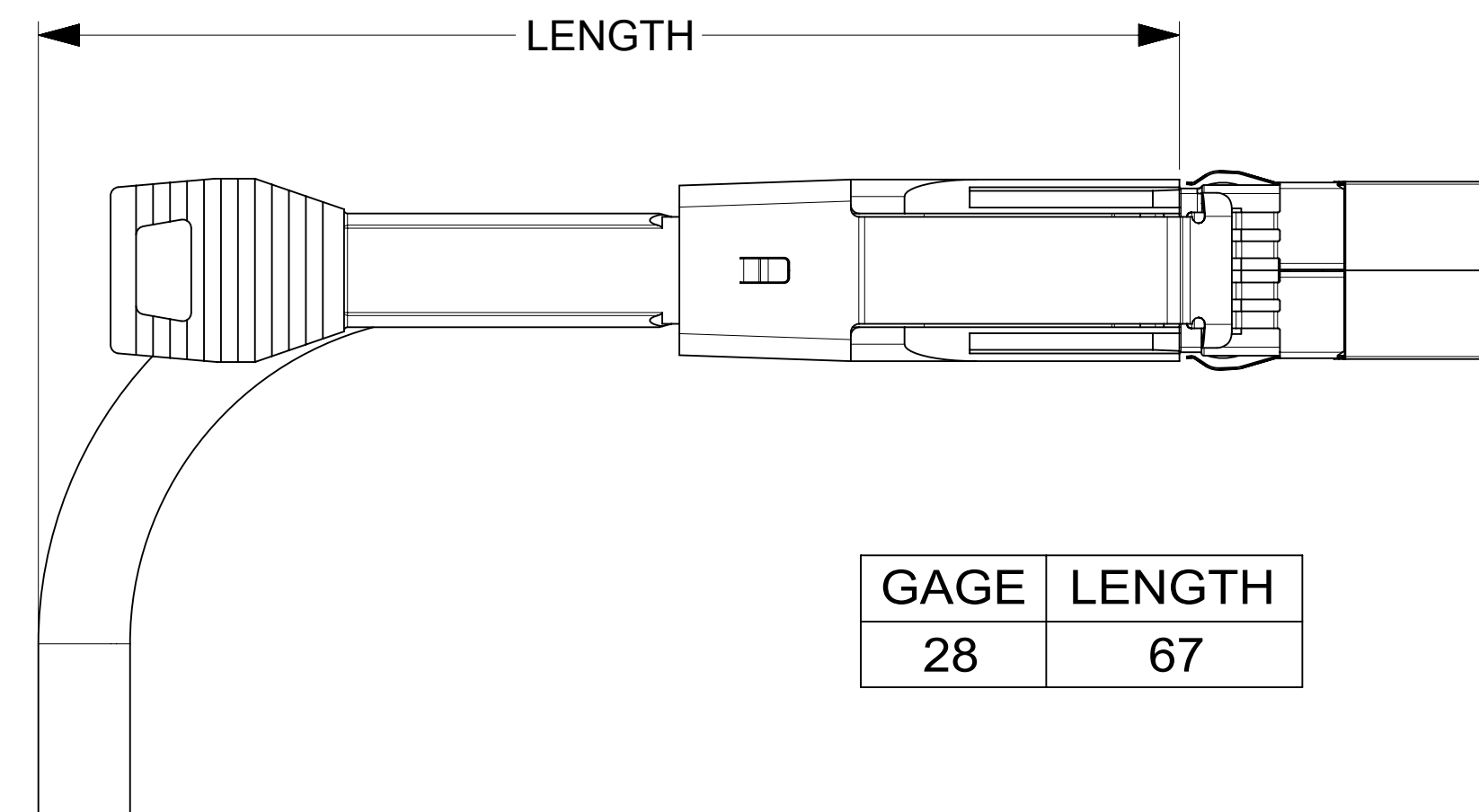


7.0M THRU 10.0M  
SAS 2.0  
RAISED KEY 3

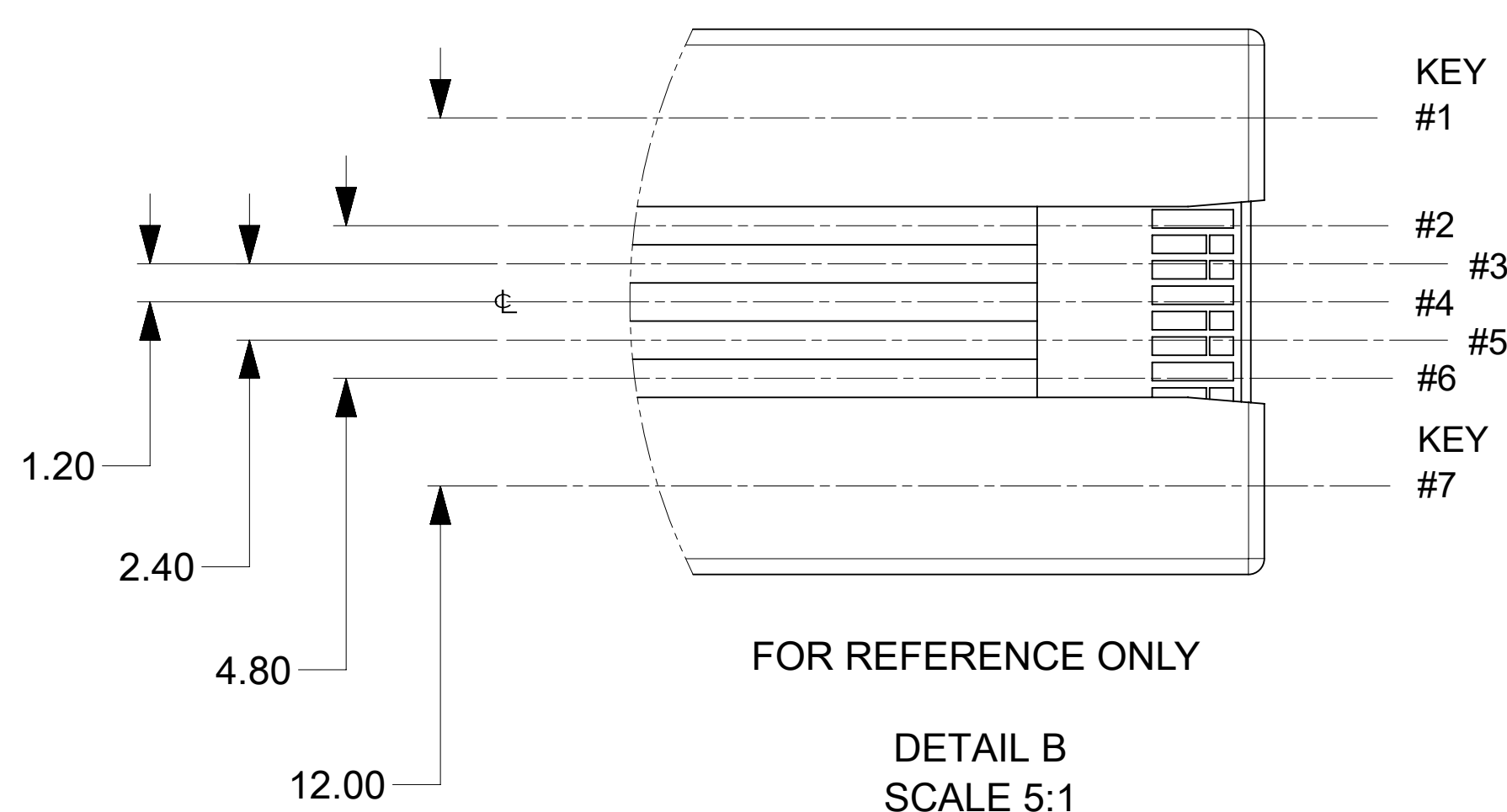
RAISED KEY 3



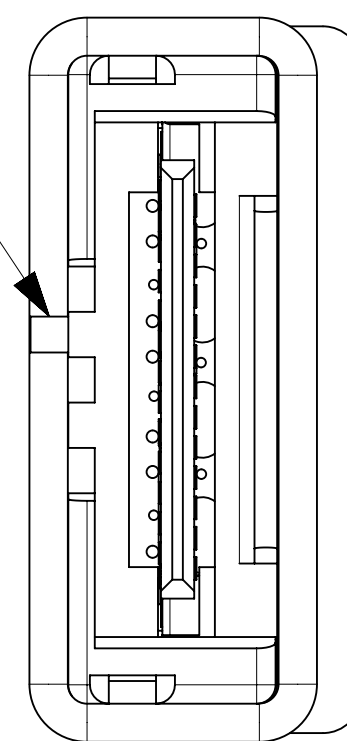
GAGE	LENGTH
28	74



GAGE	LENGTH
28	67



RAISED KEY 3 (R3)  
(24AWG ONLY)



THIS DRAWING CONTAINS INFORMATION THAT IS PROPRIETARY TO MOLEX ELECTRONIC TECHNOLOGIES, LLC AND SHOULD NOT BE USED WITHOUT WRITTEN PERMISSION AS PER PCN#506884

DIMENSION UNITS: mm  
SCALE: 2:1

GENERAL TOLERANCES (UNLESS SPECIFIED)

	MM	INCH
4 PLACES	±	±
3 PLACES	±	±
2 PLACES	± 0.13	±
1 PLACE	± 0.25	±
0 PLACES	±	±
ANGULAR TOL	± 2.0 °	

CURRENT REV DESC: OBSOLETE PART NUMBERS AS PER PCN#506884

EC NO: 662770  
DRWN: SUGEEB 2021/03/26  
CHK'D: GGA 2021/06/02  
APPR: GGA 2021/06/02

INITIAL REVISION:  
DRWN: BREED 2010/12/10  
APPR: RMKHAN 2011/07/24

**molex**

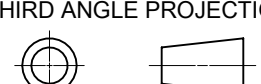
MINISAS HD TO MINISAS  
4X CABLE ASSEMBLIES EXTERNAL

PRODUCT CUSTOMER DRAWING

DOCUMENT NUMBER	DOC TYPE	DOC PART	REVISION
SD-111068-3200	PSD	001	G

DRAFT WHERE APPLICABLE MUST REMAIN WITHIN DIMENSIONS	THIRD ANGLE PROJECTION	DRAWING	SERIES	MATERIAL NUMBER	CUSTOMER	SHEET NUMBER
		D-SIZE	111068	SEE TABLE	GENERAL MARKET	3 OF 4

DATE	REV	DESCRIPTION
2011/10/18	C	1. CHANGED LABEL
2012/07/28	D	1. ADDED PART NUMBERS 3204, 3208, & 3209. 2. UPDATED SHEET FORMAT. 3. ADDED REVISION HISTORY TABLE.
2012/09/06	E	1. CHANGED TEXT FONT SIZE FOR CONSISTENCY.
2012/10/31	F	1. ADDED LABEL TEXT ORIENTATION ON SHEET 1. 2. ADJUSTED FRONT VIEW OF CABLE ASSEMBLY ON SHEET 1. 3. CORRECTED PCB PIN OUT FOR MINISAS END ON SHEET 2.
2021/03/26	G	1. OBSOLETE PART NUMBER (1110683200 /3201/ 3202/ 3204/ 3205/ 3206/ 3207/3208/ 3209/ 3210 )

THIS DRAWING CONTAINS INFORMATION THAT IS PROPRIETARY TO MOLEX ELECTRONIC TECHNOLOGIES, LLC AND SHOULD NOT BE USED WITHOUT WRITTEN PERMISSION															
DIMENSION UNITS		SCALE		CURRENT REV DESC: OBSOLETE PART NUMBERS AS PER PCN#506884				<b>molex</b>							
mm		1:1													
GENERAL TOLERANCES (UNLESS SPECIFIED)				EC NO: 662770 DRWN: SUGEEB 2021/03/26 CHK'D: GGA 2021/06/02 APPR: GGA 2021/06/02 INITIAL REVISION: DRWN: BREED 2010/12/10 APPR: RMKHAN 2011/07/24				DOCUMENT NUMBER		DOC TYPE	DOC PART	REVISION			
	MM		INCH					SD-111068-3200		PSD	001	G			
4 PLACES	±		±							PRODUCT CUSTOMER DRAWING					
3 PLACES	±		±												
2 PLACES	±	0.13	±												
1 PLACE	±	0.25	±												
0 PLACES	±		±												
ANGULAR TOL ± 2.0 °				THIRD ANGLE PROJECTION		DRAWING		SERIES		MATERIAL NUMBER		CUSTOMER		SHEET NUMBER	
DRAFT WHERE APPLICABLE MUST REMAIN WITHIN DIMENSIONS						D-SIZE		111068		SEE TABLE		GENERAL MARKET		4 OF 4	