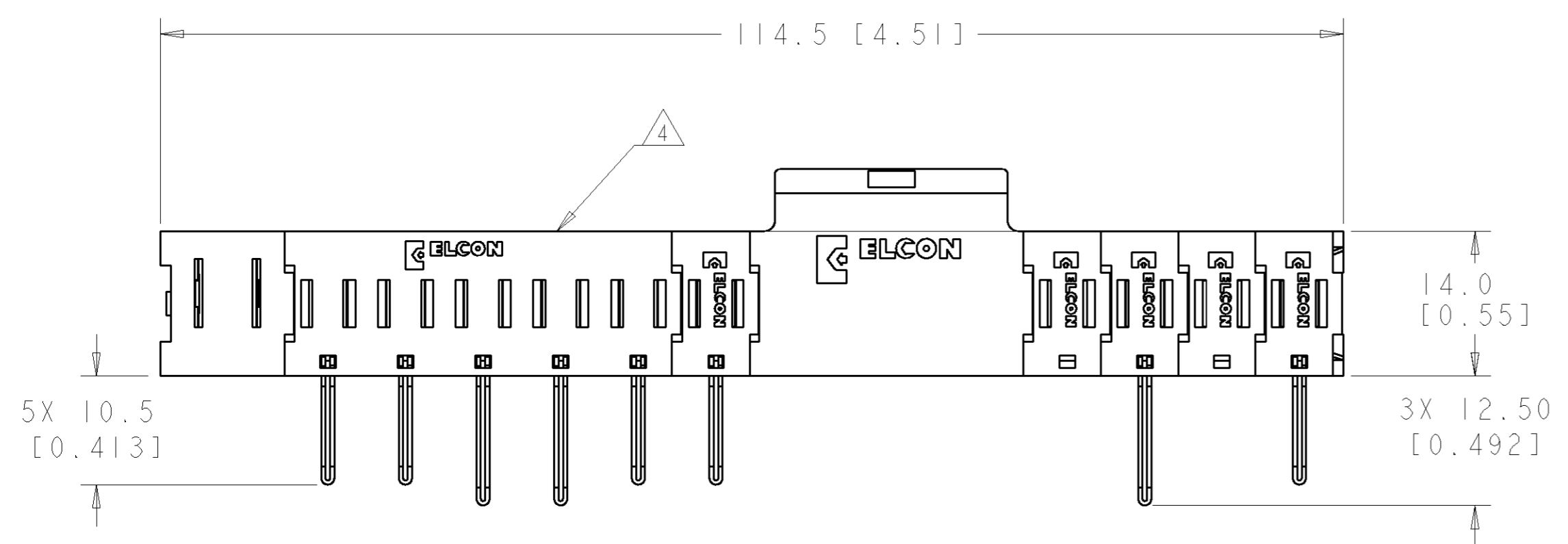


THIS DRAWING IS UNPUBLISHED. RELEASED FOR PUBLICATION 20
 © COPYRIGHT 20 BY TYCO ELECTRONICS CORPORATION. ALL RIGHTS RESERVED.

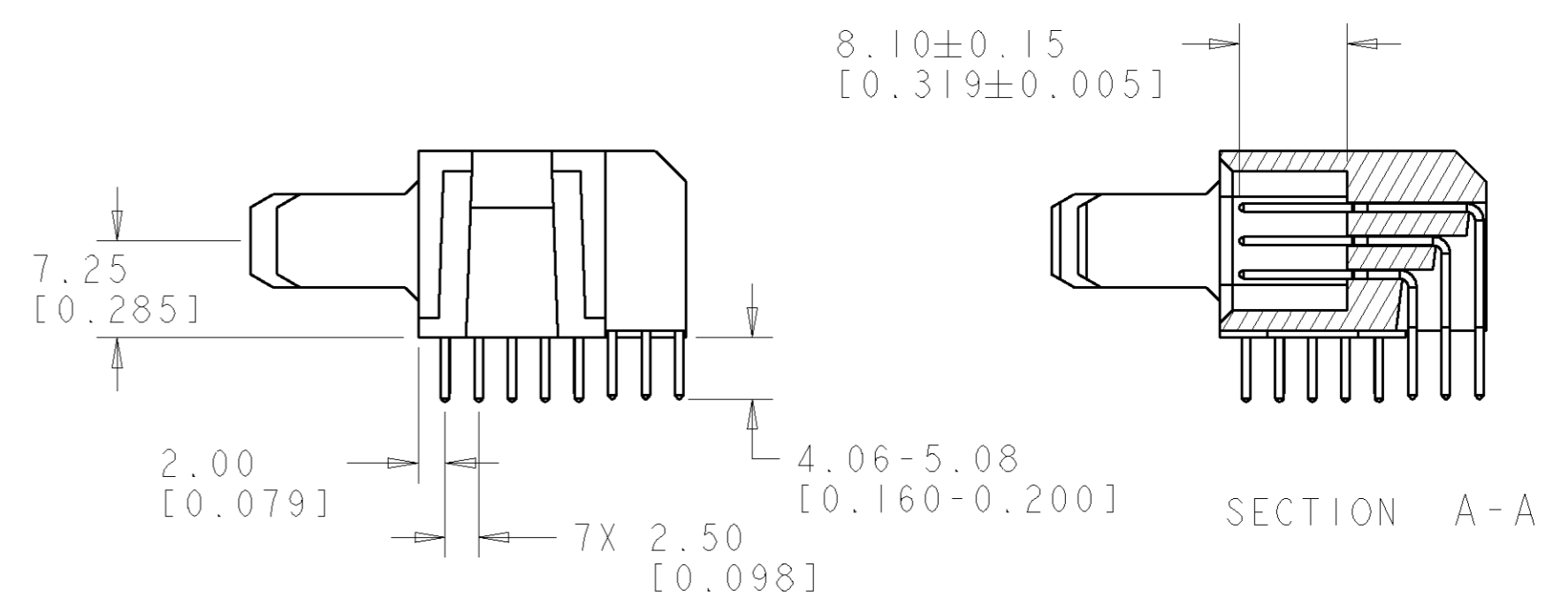
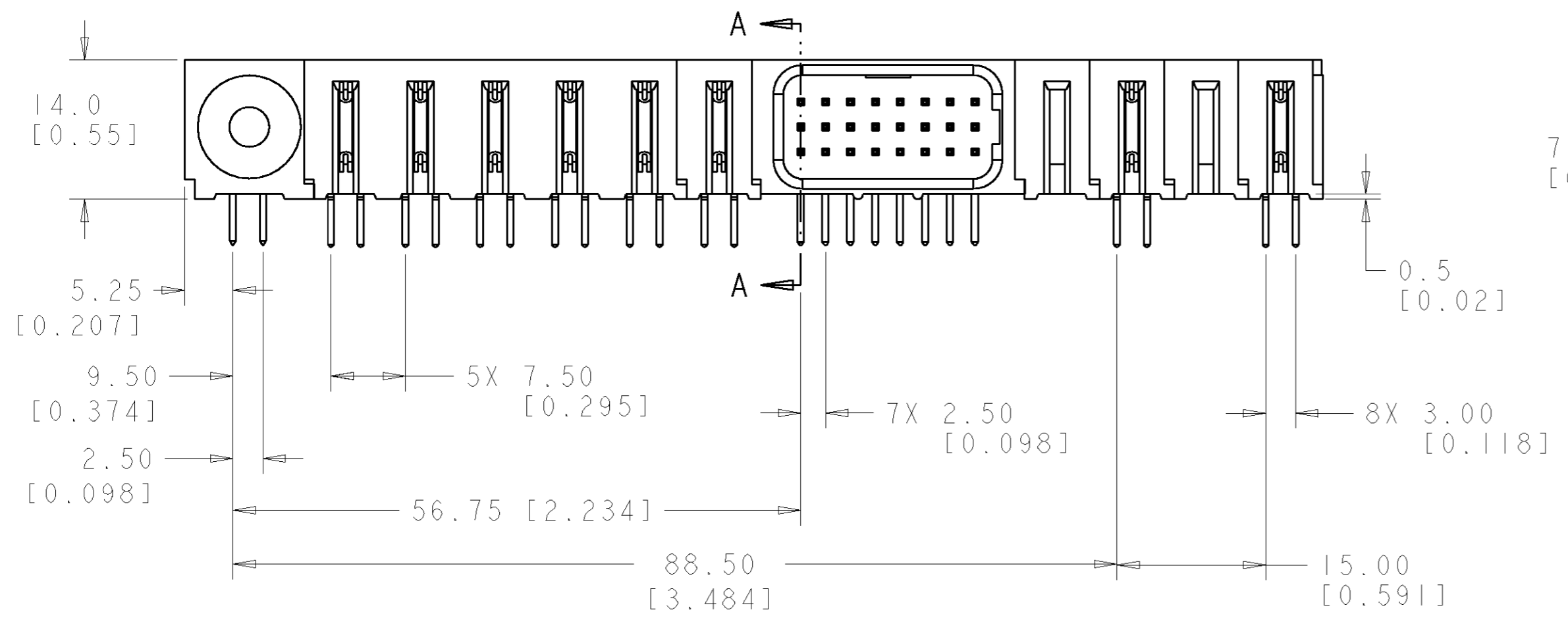
LOC		DIST		REVISIONS			
P	LTR	DESCRIPTION	DATE	DWN	APVD		
GP	00	A	NEW RELEASE	02MAR07	RG	PD	

- PART NUMBER CHANGES AND OR DESIGN CHANGES AFFECTING ITEM INTERCHANGEABILITY REQUIRE PRIOR TYCO APPROVAL AND AUTHORIZATION BY REVISION TO THIS DRAWING.
- MATERIAL:
 - INSULATORS - THERMOPLASTIC, GLASS REINFORCED, COLOR: BLACK
 - UL94V-0 FLAMMABILITY RATED.
 - POWER CONTACTS - PHOSPHOR BRONZE ALLOY, COPPER ALLOY
 - SIGNAL CONTACTS - BRASS ALLOY
- FINISH:
 - CONTACTS - GOLD PLATE 0.76µm MIN. THK. OVER NICKEL
 - 1.27µm MIN. THK.
 - SOLDER TAILS, TIN 3.05µm MIN. THK. OVER 1.27µm MIN. THK. NICKEL.



4 ITEMS PROVIDED TO THIS SPECIFICATION TO BE PERMANENTLY IDENTIFIED PER THE FOLLOWING IDENTIFIER LABEL

YEAR WEEK
 TYCO PART NO. DATE CODE (e.g. 0106)
 XXXXXXXX-X XXXX

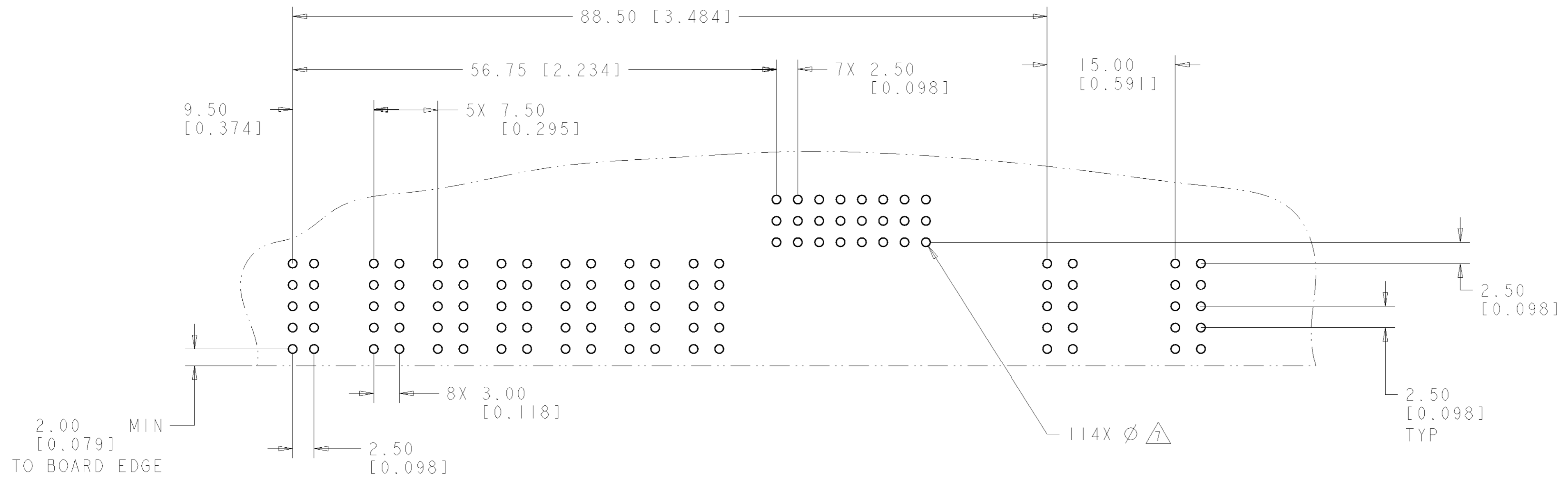


ELCON FLATPAQ

AS SHOWN		6646900-1	
DESCRIPTION		PART NUMBER	
DWN R.GRZYBOWSKI 02MAR07 CHK P.DAMATO 02MAR07 APVD S.FLICKINGER 02MAR07 PRODUCT SPEC - APPLICATION SPEC - WEIGHT - CUSTOMER DRAWING		Tyco Electronics Harrisburg, PA 17105-3608 NAME CONNECTOR, PIN, RIGHT ANGLE SOLDER TAILS FLATPAQ SIZE A2 CAGE CODE 00779 DRAWING NO. 6646900 RESTRICTED TO - SCALE 3:1 SHEET 1 OF 3 REV A	

THIS DRAWING IS UNPUBLISHED. RELEASED FOR PUBLICATION 20
 © COPYRIGHT 20 BY TYCO ELECTRONICS CORPORATION. ALL RIGHTS RESERVED.

LOC	DIST	REVISIONS					
GP	00	P	LTR	DESCRIPTION	DATE	DWN	APVD
		-		SEE SHEET 1	-	-	-



PRINTED CIRCUIT LAYOUT
 COMPONENT SIDE

CONNECTOR	CATALOG MODULE #	QTY	SIZE NO.	CONTACT QTY	MATING PIN	MAX. CURRENT (PER CONTACT)	CONTACT SPACING	VOLTAGE RATING
PIN	FP105	5	8	10	1.25 X 7.00 [.049 X .276]	35 amps	7.50 [.2953]	250
	FP106	3	8	6	1.25 X 7.00 [.049 X .276]	35 amps	7.50 [.2953]	250
	FP302	1	22	24	.64 SQ. [.025]	3 amps	2.50 [.0984]	125
	FP516	RIGHT ANGLE GUIDE SOCKET						

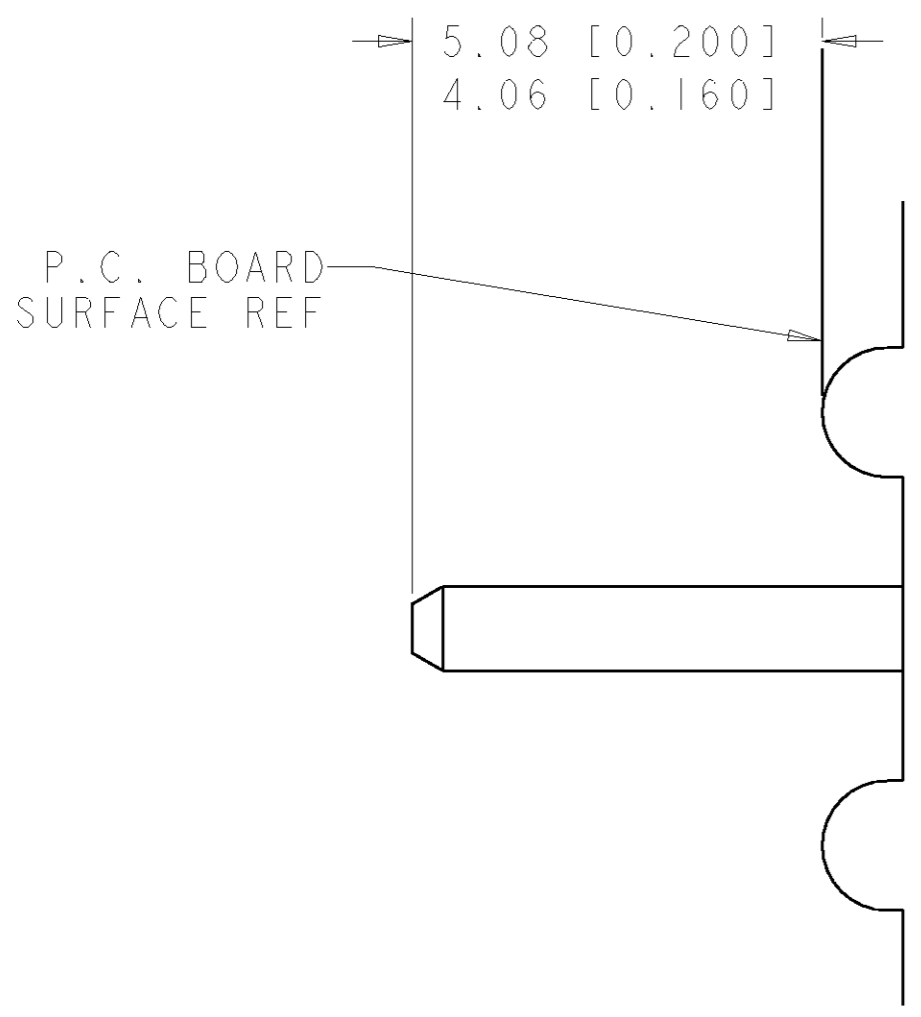
ELCON FLATPAQ

THIS DRAWING IS A CONTROLLED DOCUMENT FOR TYCO ELECTRONICS CORPORATION. IT IS SUBJECT TO CHANGE AND THE CONTROLLING ENGINEERING ORGANIZATION SHOULD BE CONTACTED FOR THE LATEST REVISION.

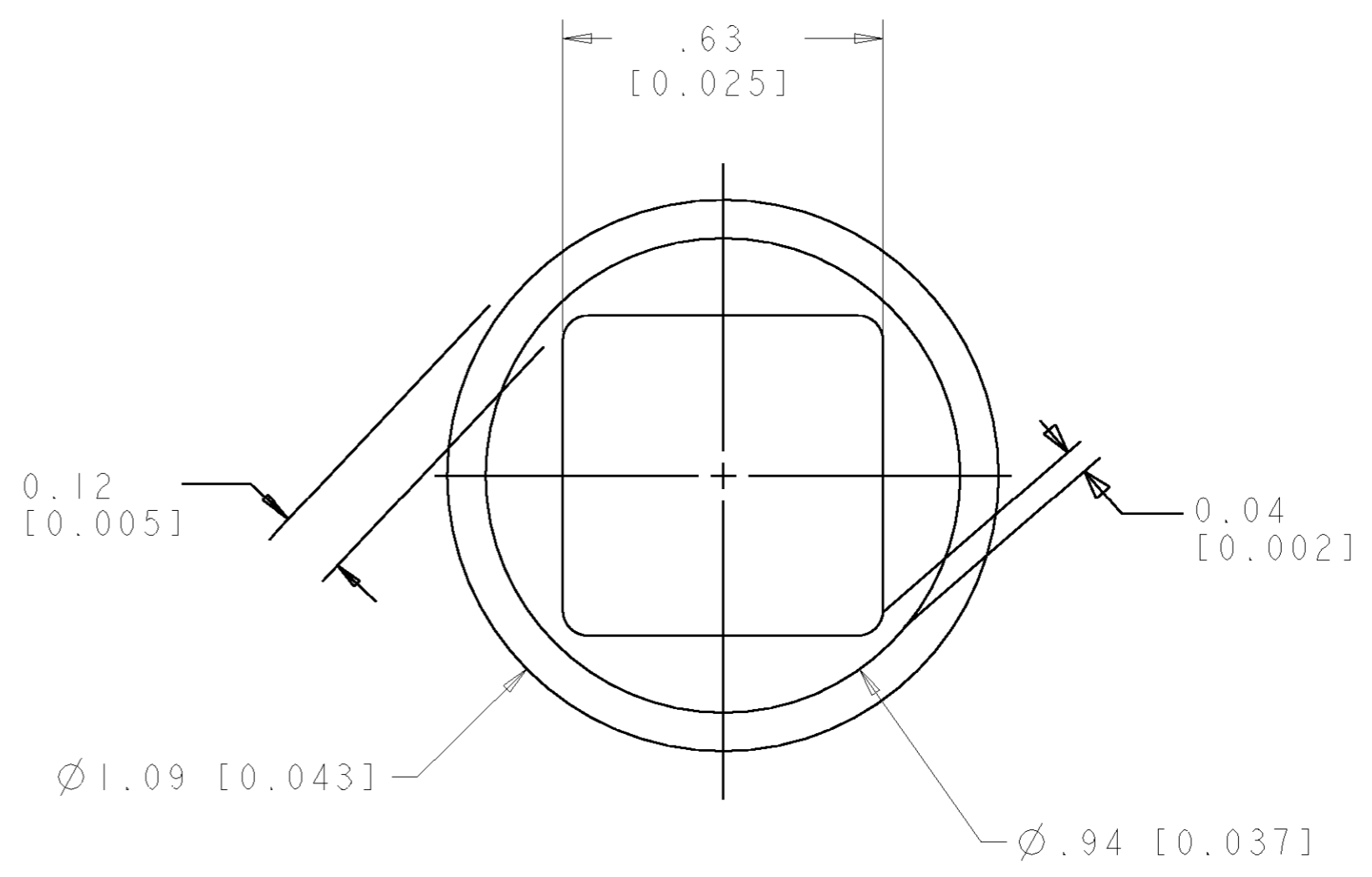
DWN	R. GRZYBOWSKI	02MAR07	 Tyco Electronics Harrisburg, PA 17105-3608					
CHK	P. DAMATO	02MAR07						
APVD	S. FLICKINGER	02MAR07						
NAME	CONNECTOR, PIN, RIGHT ANGLE SOLDER TAILS FLATPAQ							
DIMENSIONS:	mm [INCHES]	TOLERANCES UNLESS OTHERWISE SPECIFIED:	SIZE	A2	CAGE CODE	6646900	DRAWING NO.	RESTRICTED TO
		0 PLC ±.5 [.020]	SCALE	3:1	SHEET	2	OF	3
		1 PLC ±.25 [.010]	CUSTOMER DRAWING					REV
		2 PLC ±.125 [.005]						A
		3 PLC ±.075 [.003]						
		4 PLC ±.05 [.002]						
		ANGLES ±.5						
		FINISH						

THIS DRAWING IS UNPUBLISHED. RELEASED FOR PUBLICATION 20
 © COPYRIGHT 20 BY TYCO ELECTRONICS CORPORATION. ALL RIGHTS RESERVED.

LOC	DIST	REVISIONS			
P	LTR	DESCRIPTION	DATE	DWN	APVD
GP	00	-	SEE SHEET 1	-	-



6. SOLDER TAIL DETAIL
SCALE 10 : 1



7 SOLDER TERMINATION AREA
SCALE 40:1

RECOMMENDED PRINTED CIRCUIT HOLE
SOLDER HOLE
FINISHED HOLE: Ø1.02 [.040] ±.008 [.0003]
DRILLED HOLE: Ø1.15 [.0453] ±.013 [.0005]
COPPER PLATE: .025 [.0010] MIN
TIN PLATE: .008 [.0003] MIN. (PER SURFACE)

ELCON FLATPAQ

<small>THIS DRAWING IS A CONTROLLED DOCUMENT FOR TYCO ELECTRONICS CORPORATION IT IS SUBJECT TO CHANGE AND THE CONTROLLING ENGINEERING ORGANIZATION SHOULD BE CONTACTED FOR THE LATEST REVISION.</small>		DWN R. GRZYBOWSKI 02MAR07 CHK P. DAMATO 02MAR07 APVD S. FLICKINGER 02MAR07	tyco Tyco Electronics Electronics Harrisburg, PA 17105-3608
DIMENSIONS: mm [INCHES]	TOLERANCES UNLESS OTHERWISE SPECIFIED: 0 PLC ± 1 PLC ±.5 [.020] 2 PLC ±.25 [.010] 3 PLC ± 4 PLC ± ANGLES ±.5 FINISH	NAME PRODUCT SPEC APPLICATION SPEC WEIGHT	CONNECTOR, PIN, RIGHT ANGLE SOLDER TAILS FLATPAQ SIZE CAGE CODE DRAWING NO RESTRICTED TO A200779 C-6646900 -
MATERIAL		CUSTOMER DRAWING	SCALE 3:1 SHEET 3 OF 3 REV A