

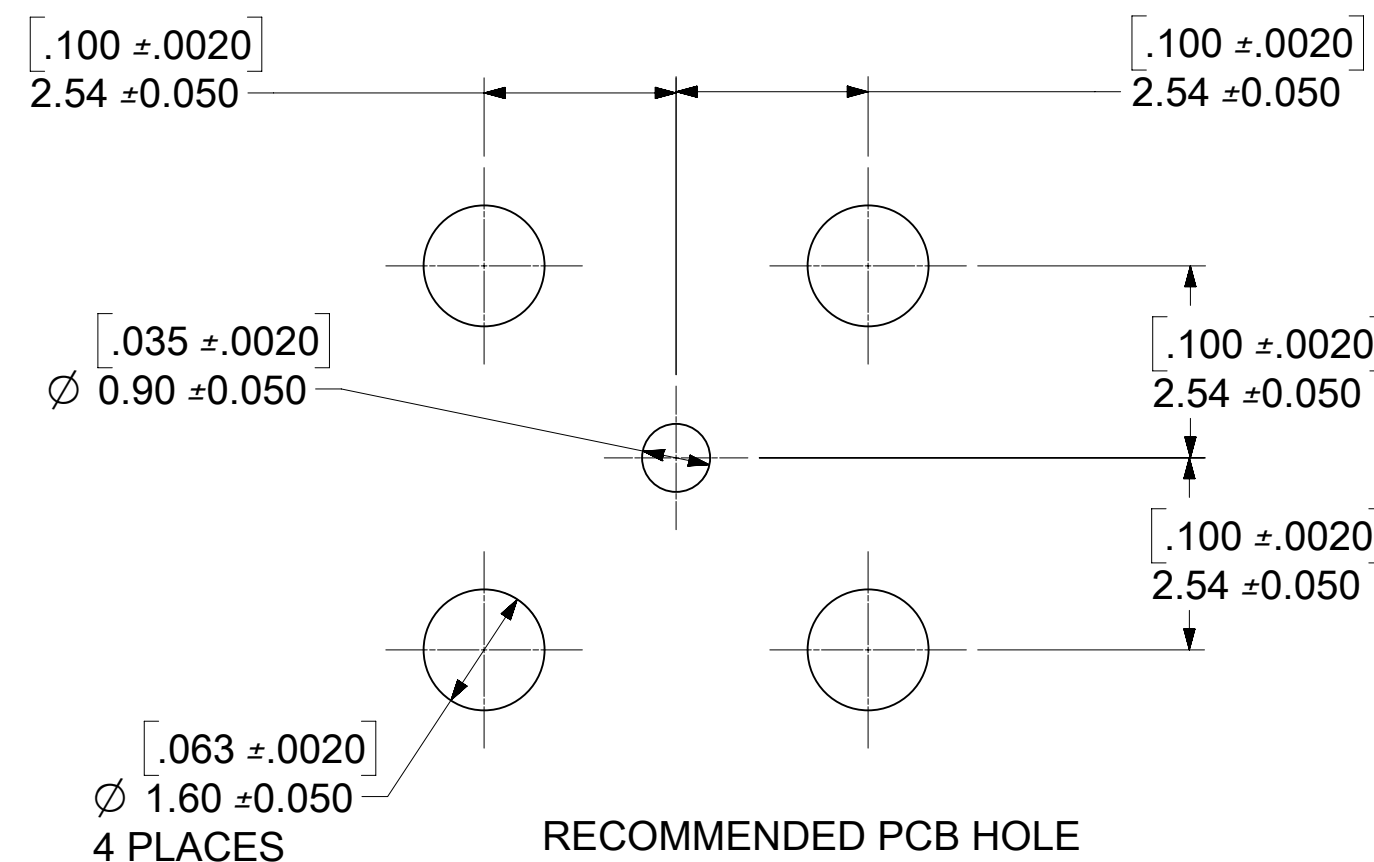
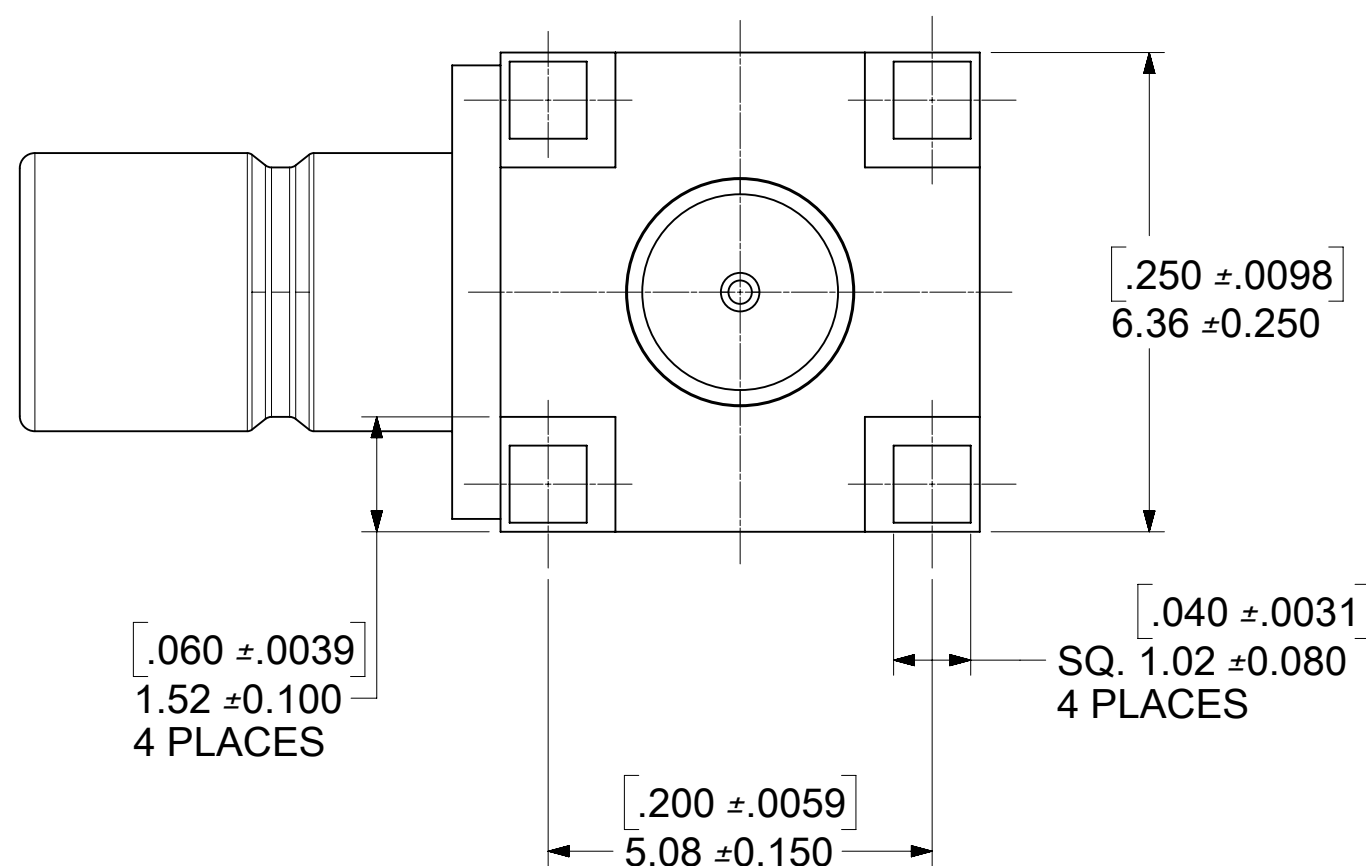
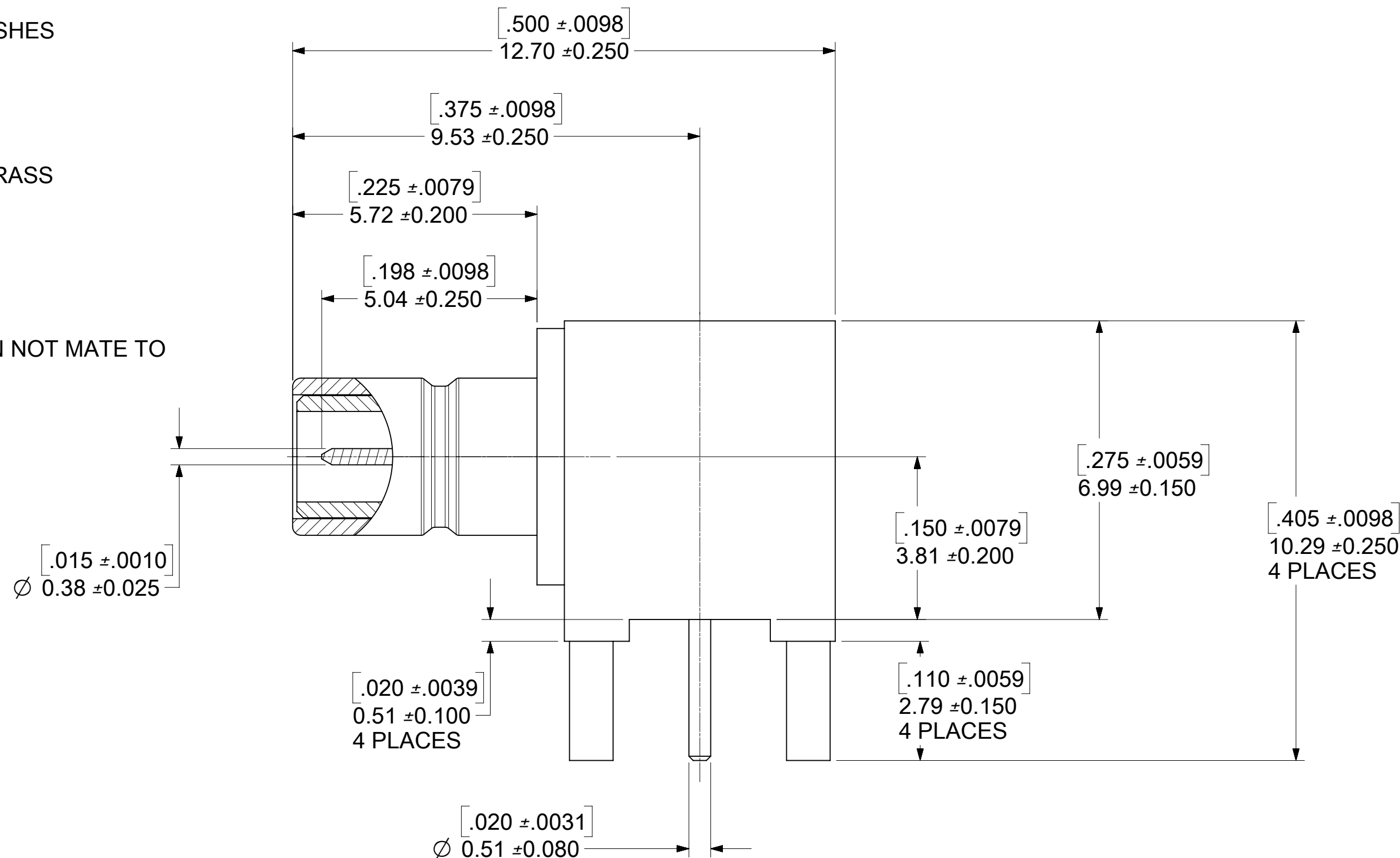
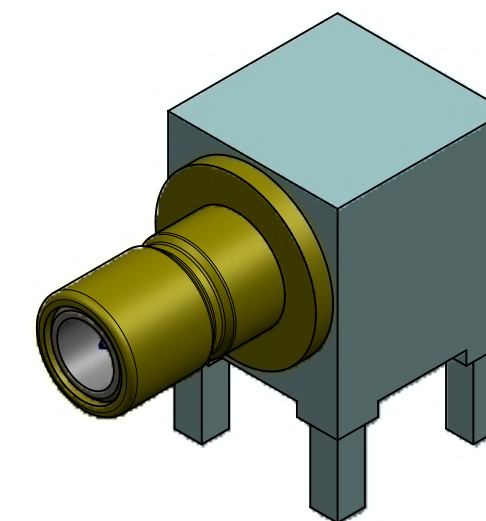
MATERIALS AND FINISHES

BODY BRASS
PLATED GOLD

CENTER CONTACT BRASS
PLATED GOLD

INSULATOR TEFLON

NOTES:
1. SPECIAL SMB CAN NOT MATE TO
STANDARD SMB



73404-2330	73100-0259, ONE PER BAG
73100-0259	TRAY
PART NO.	PACKAGING

PS-73598-0104	ELECTRO/MECH. PERFORM.
SPECIFICATION	DESCRIPTION

2018/03/30	B3	CHANGE TITLE AND ADDED NOTES PER 11900
2017/11/07	B2	ADDED TOLERANCE PER RF17-E129
2007/05/01	B1	REDREW IN SD ADDED 73404-2330
DATE	REV.	DESCRIPTION

DOCUMENT STATUS	P1	RELEASE DATE	2018/05/03 08:38:03
-----------------	----	--------------	---------------------

THIS DRAWING CONTAINS INFORMATION THAT IS PROPRIETARY TO MOLEX ELECTRONIC TECHNOLOGIES, LLC AND SHOULD NOT BE USED WITHOUT WRITTEN PERMISSION

DIMENSION UNITS	SCALE	CURRENT REV	DESC:	molex		
HYBRID	1:1					
GENERAL TOLERANCES (UNLESS SPECIFIED)				SMB JACK, R/A, PCB SPECIAL RECEPTACLE MATE TO .017 SMB-J/RA/PCB		
ANGULAR TOL	± 2.0°	EC NO: 174450		PRODUCT CUSTOMER DRAWING		
4 PLACES	±	DRWN: ELIN 2018/03/30		DOCUMENT NUMBER		
3 PLACES	±	CHK'D: YCHENG 2018/05/03		SD-73100-0259		
2 PLACES	±	APPR: YCHENG 2018/05/03		DOC TYPE		
1 PLACE	±	INITIAL REVISION:		PSD		
0 PLACES	±	DRWN: TFLAHERTY 2007/05/01		DOC PART		
DRAFT WHERE APPLICABLE MUST REMAIN WITHIN DIMENSIONS		APPR: GHUBBARD 1993/07/20		001		
THIRD ANGLE PROJECTION		DRAWING		REVISION		
C-SIZE		SERIES		B3		
73100		MATERIAL NUMBER		SHEET NUMBER		
731000259		CUSTOMER		1 OF 1		
GENERAL MARKET						