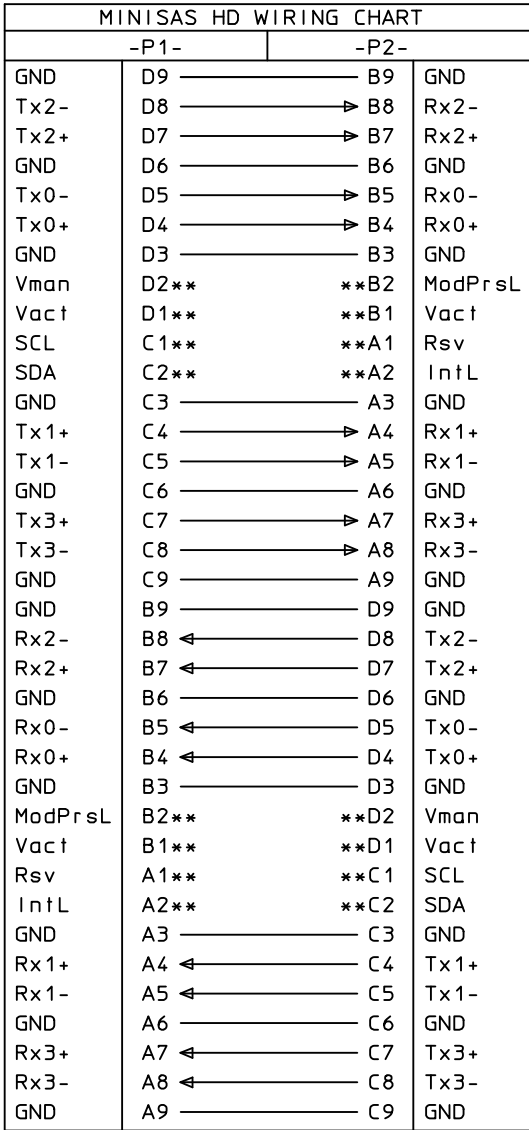


NOTES:

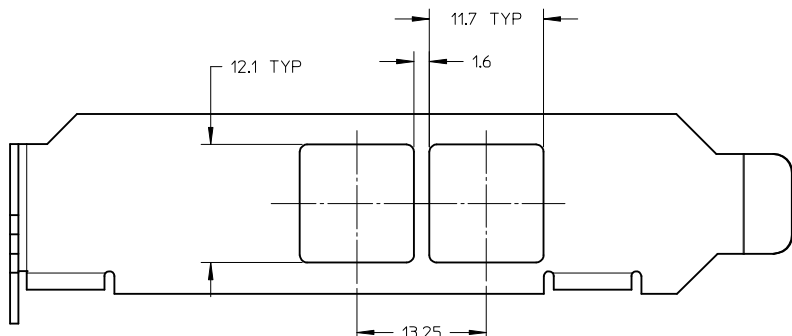
1. MATERIALS=
 - BACKSHELLS - ZINC DIECAST WITH NICKEL PLATING.
 - LATCH - STAINLESS STEEL.
 - PULL - MOLDED PLASTIC.
2. CABLE TYPE PLENUM (OFNP) WITH 8 MULTIMODE FIBERS, MINIMUM BEND RADIUS 25 MM.
2. ELECTRICAL PERFORMANCE PER SFF 8644.
3. PLUG MATES TO 1X1, 1X2 AND 1X4 RECEPTACLE - EMI HOUSING ASSEMBLY SERIES 76866.
4. THIS PRODUCT MEETS THE RESTRICTION OF HAZARDOUS SUBSTANCES IN ELECTRICAL AND ELECTRONIC EQUIPMENT (RoHS) DIRECTIVE (2002/95/EC).

ENTER DESCRIPTION EC NO: MF2015-0324 DRW: MAGHAYERE 2014/12/04 CHKD: APPR: IGUMIN 2014/12/09	QUALITY SYMBOLS ∇=0 ∇=0 ∇=0	GENERAL TOLERANCES (UNLESS SPECIFIED)		DIMENSION STYLE MM ONLY		SCALE 2:1	DESIGN UNITS METRIC	THIRD ANGLE PROJECTION			
		4 PLACES ± --- ± ---	3 PLACES ± --- ± ---	2 PLACES ± 0.13 ± ---	1 PLACE ± 0.13 ± ---	0 PLACE ± ±	DRAWN BY BANDREI	DATE 2011/06/09	IPASS+ HD ACTIVE OPTICAL CABLE		
		ANGULAR ±1/2°					CHECKED BY WCHEN	DATE 2013/07/11			
		DRAFT WHERE APPLICABLE MUST REMAIN WITHIN DIMENSIONS					MATERIAL NO. 1064152001	SHEET NO. 1 OF 2			

PART NUMBER	LENGTH (METERS)	TOLERANCE (METERS)
1064152001	1	+0.2/-0.0
1064152002	2	+0.2/-0.0
1064152003	3	+0.2/-0.0
1064152004	4	+0.2/-0.0
1064152005	5	+0.2/-0.0
1064152006	6	+0.3/-0.0
1064152007	7	+0.3/-0.0
1064152008	8	+0.3/-0.0
1064152010	10	+0.4/-0.0
1064152015	15	+0.5/-0.0
1064152020	20	+0.6/-0.0
1064152025	25	+0.6/-0.0
1064152030	30	+0.6/-0.0
1064152040	40	+0.8/-0.0
1064152050	50	+1.0/-0.0
1064152075	75	+1.4/-0.0
1064152100	100	+2.0/-0.0



** RESERVED FOR POWER AND MANAGEMENT INTERFACE



SHIELDED INTEGRATED HD CONNECTOR MINIMUM PITCH

ENTER DESCRIPTION EC NO: MF2015-0324 DR: MANMAGHAYERE 2014/12/04 CHKD: APPR: IGUMIN 2014/12/09 REV: B	QUALITY SYMBOLS ▽=0 ▽=0	GENERAL TOLERANCES (UNLESS SPECIFIED) <table border="1"> <tr><th></th><th>mm</th><th>INCH</th></tr> <tr><td>4 PLACES</td><td>±---</td><td>±---</td></tr> <tr><td>3 PLACES</td><td>±---</td><td>±---</td></tr> <tr><td>2 PLACES</td><td>±0.13</td><td>±---</td></tr> <tr><td>1 PLACE</td><td>±0.13</td><td>±---</td></tr> </table> ANGULAR ±1/2°		mm	INCH	4 PLACES	±---	±---	3 PLACES	±---	±---	2 PLACES	±0.13	±---	1 PLACE	±0.13	±---	DIMENSION STYLE MM ONLY DRAWN BY: BANDREI DATE: 2011/06/09 CHECKED BY: _____ DATE: _____	SCALE: --- DESIGN UNITS: METRIC THIRD ANGLE PROJECTION
		mm	INCH																
	4 PLACES	±---	±---																
	3 PLACES	±---	±---																
2 PLACES	±0.13	±---																	
1 PLACE	±0.13	±---																	
DRAFT WHERE APPLICABLE MUST REMAIN WITHIN DIMENSIONS		APPROVED BY: WCHEN DATE: 2013/07/11	MATERIAL NO.: 1064152001 SIZE: B	TITLE: IPASS+ HD ACTIVE OPTICAL CABLE MOLEX INCORPORATED DOCUMENT NO.: SD-106415-2001 SHEET NO.: 2 OF 2															
THIS DRAWING CONTAINS INFORMATION THAT IS PROPRIETARY TO MOLEX INCORPORATED AND SHOULD NOT BE USED WITHOUT WRITTEN PERMISSION																			
** RESERVED FOR POWER AND MANAGEMENT INTERFACE																			