

MATERIALS AND FINISHES

PART NO. 89761-1760/89761-1761
89761-1762/89761-1763
89761-1765/89761-1766

PART NO. 89761-1764
SSMCX PLUG(73415-4684)
BODY, BERYLLIUM COPPER
PLATED TRI-METAL
CENTER CONTACT, BERYLLIUM COPPER
PLATED GOLD OVER TRI-METAL
OUTER CONTACT, BERYLLIUM COPPER
PLATED GOLD OVER TRI-METAL

SSMCX PLUG(73415-4680)
BODY, BRASS
PLATED GOLD

CENTER CONTACT, BRASS
PLATED GOLD

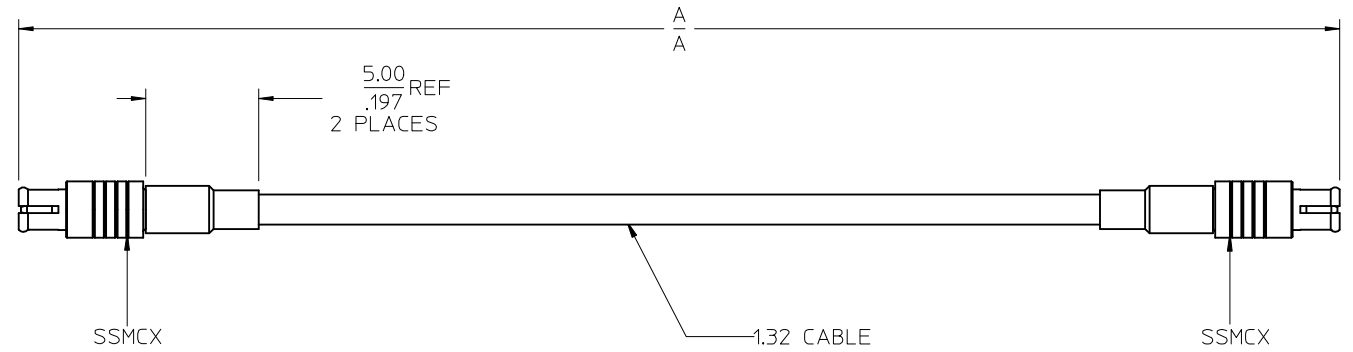
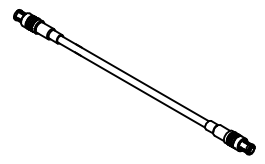
OUTER CONTACT, BeCu
PLATED GOLD

INSULATOR, TEFLON

HEAT SHRINK TUBE, VERSAFIT V2
COLOR BLACK

CABLE 1.32

PACKAGING BY POLYBAG



MINIMUM LENGTH

89761-1766	19.685±.197	500.00±5.00	GENERAL TYPE
89761-1765	15.748±.197	400.00±5.00	GENERAL TYPE
89761-1764	5.906±.197	150.00±5.00	NON MAGNETIC
89761-1763	3.500±.197	88.90±5.00	GENERAL TYPE
89761-1762	3.937±.197	100.00±5.00	GENERAL TYPE
89761-1761	4.921±.197	125.00±5.00	GENERAL TYPE
89761-1760	5.906±.197	150.00±5.00	GENERAL TYPE

PS-73598-0220	SSMCX SPECIFICATION	PART NO.	IN	MM	DESCRIPTION
SPECIFICATION	DESCRIPTION	DIM	A		

CHG: 89761-1765 ADD 89761-1766 AND PER PDR-0909389 EC NO: 2009/10/01 DRW: RYEH CHKD: APPR: HUANG 2009/10/01 2009/10/01 A5	QUALITY SYMBOLS ▽=0 ▽=0	GENERAL TOLERANCES (UNLESS SPECIFIED) mm INCH 4 PLACES ± --- ± --- 3 PLACES ± --- ± --- 2 PLACES ± --- ± --- 1 PLACE ± --- ± --- ANGULAR ± 2 °	DIMENSION STYLE MM/IN	SCALE DESIGN UNITS METRIC	THIRD ANGLE PROJECTION	DRAWN BY JOHN	DATE 2006/04/07	TITLE SSMCX PLUG TO SSMCX PLUG STRAIGHT WITH 1.32 CABLE CA-SSMCX-P/SSMCX-P
						CHECKED BY KERRIE	DATE 2006/04/07	
						APPROVED BY MISEN	DATE 2006/04/07	
DRAFT WHERE APPLICABLE MUST REMAIN WITHIN DIMENSIONS			MATERIAL NO. SEE TABLE	DOCUMENT NO. SD-89761-176	SHEET NO. 1 OF 1			