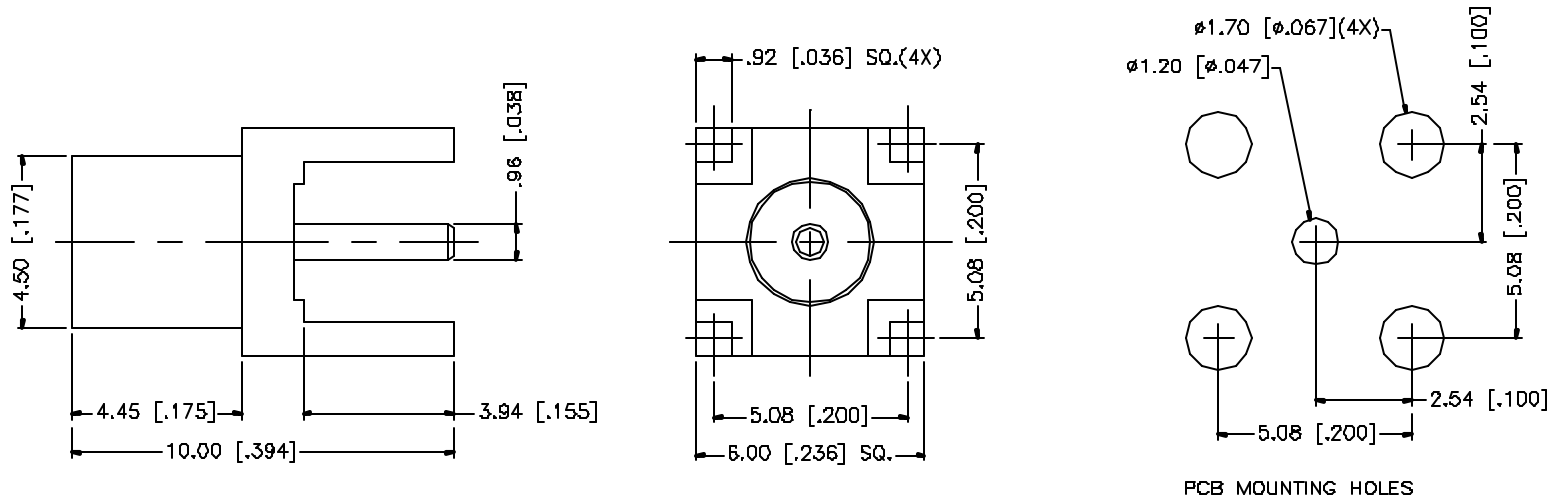


REV.	DATE	DESCRIPTION
A	12/09/04	MODIFY OVERALL PART LENGTH



PCB MOUNTING HOLES

8				
7				
6				
5				
4				
3	CONTACT PIN	BER. COPPER	GOLD	1
2	INSULATOR	TEFLON	NATURAL	1
1	BODY	BRASS	GOLD	1
DESCRIPTION	MATERIAL	FINISH	QTY	

APPROVALS	DATE
DRAWN G.R.S.	12/09/04
CHECKED	
ISSUED	
SHEET 1 OF 1	
CAD FILE C:/225/252105-75.DWG	

Amphenol Connex			
PART DESCRIPTION MCX P.C. BOARD RECEPTACLE JACK - 75ohm (3.94 [.155"] LEGS)			
PART NO. 252105-75			
DWG. NO.	252105-75.DWG	REV.	A
SIZE	A	SCALE	NA

UNLESS OTHERWISE SPECIFIED DIMENSIONS ARE IN MILLIMETERS. DIMENSIONS IN [] ARE IN INCHES AND FOR CUSTOMER REFERENCE ONLY.

UNLESS OTHERWISE SPECIFIED TOLERANCES FOR MILLIMETERS ARE:
 0.5 - 8mm ± 0.20mm
 8 - 30mm ± 0.40mm
 30 - 120mm ± 0.50mm

UNLESS OTHERWISE SPECIFIED TOLERANCES FOR INCHES ARE:
 .020 - .315 = ± 0.007"
 .315 - 1.180 = ± 0.015"
 1.180 - 4.724 = ± 0.020"

DO NOT SCALE DRAWING