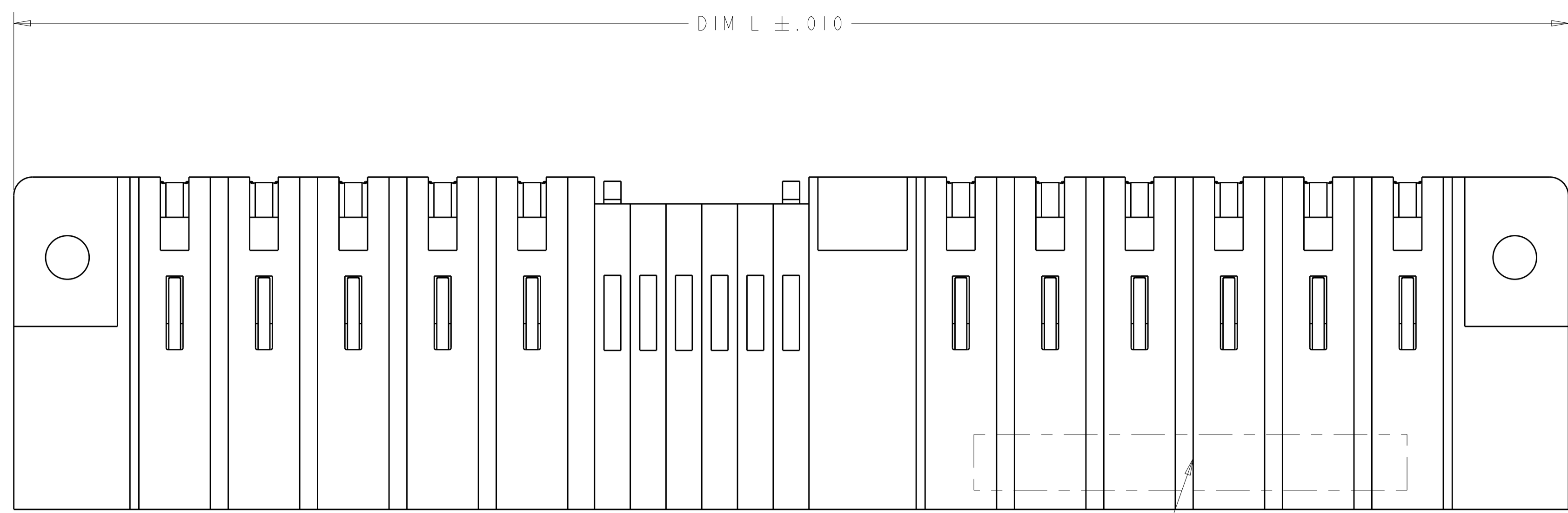
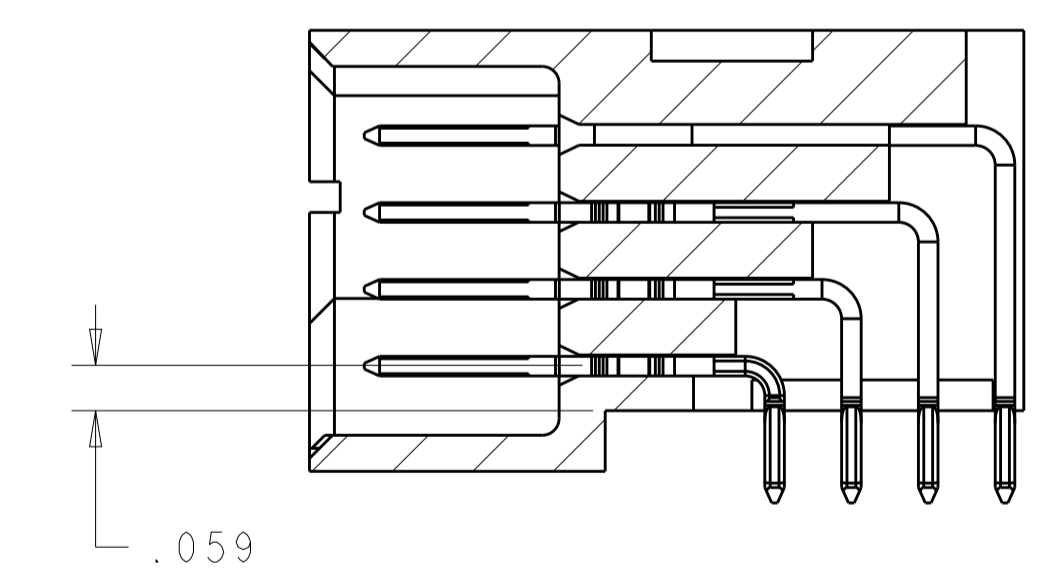
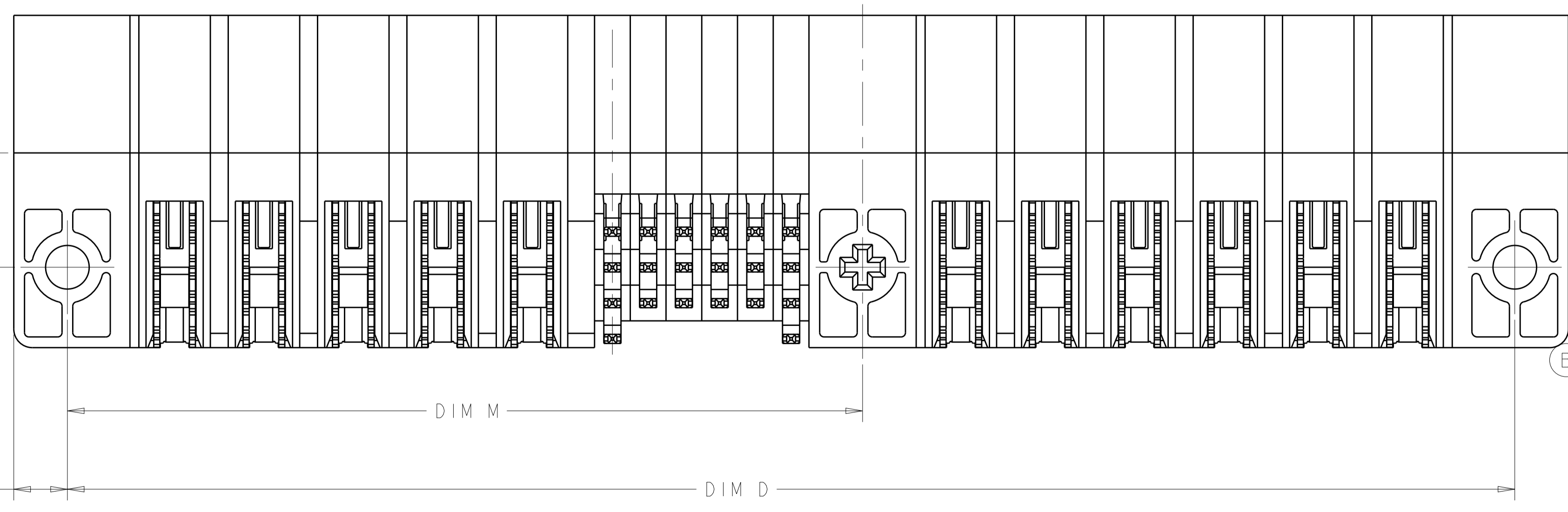
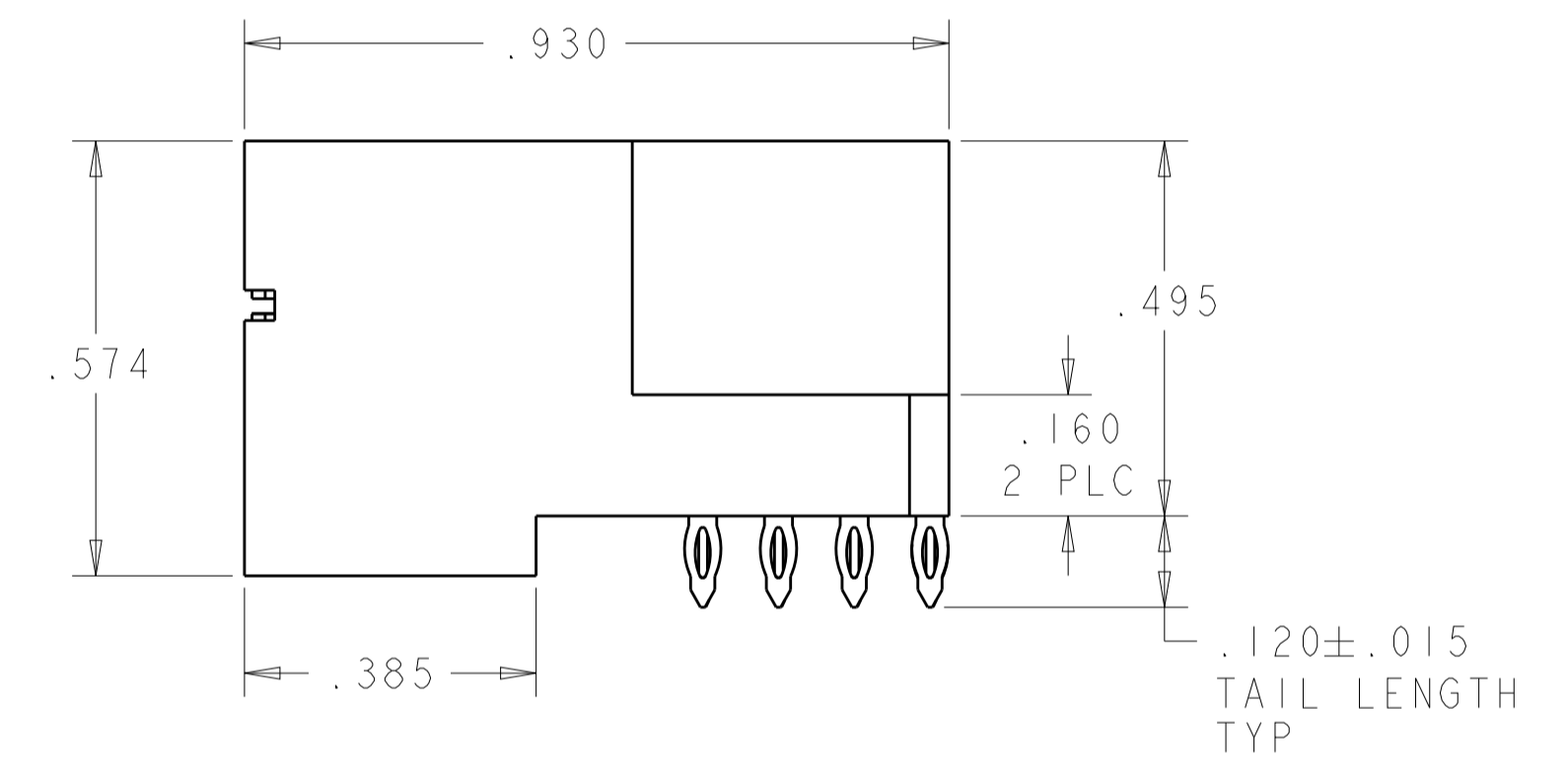
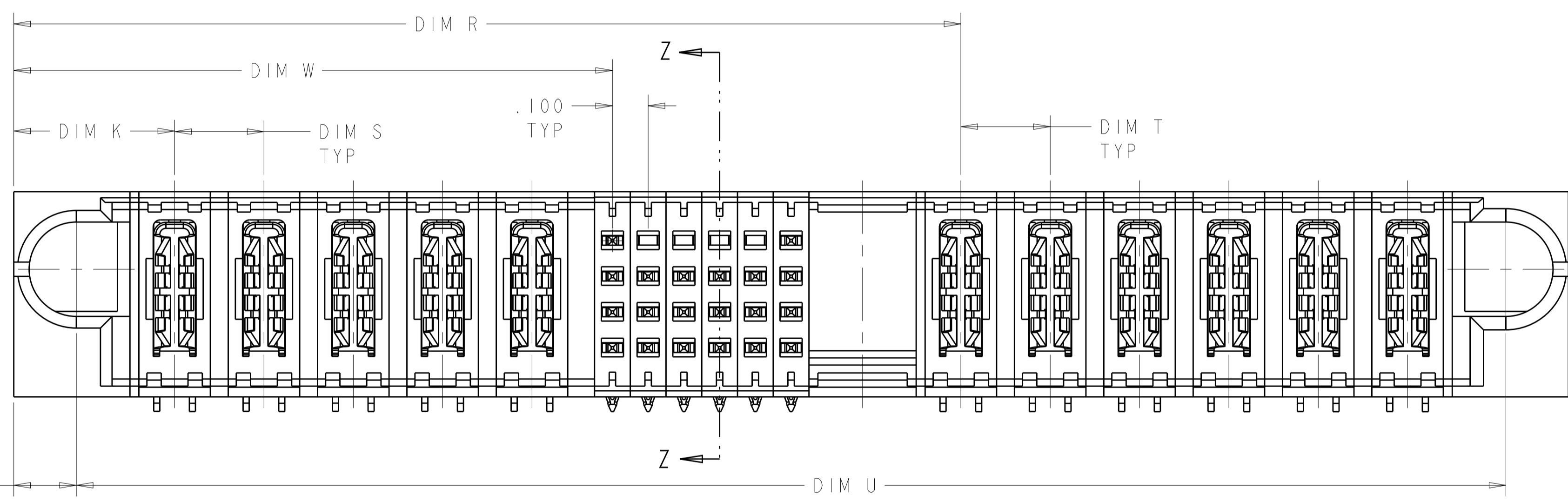


LOC	DIST	REVISIONS					
		P	LTN	DESCRIPTION	DATE	DWN	APVD
ES	00	B1		PER REV ECR-13-004638	20MAR2013	ML	SZ



- 1 PART NUMBER, AND DATE CODE MARKED IN AREA SHOWN. MARKING ON BOTH SIDES PERMITTED FOR PARTS UNDER 2.00 LONG.
- 2 MATERIAL:  
HOUSING - GLASS FILLED HIGH TEMP THERMO PLASTIC, UL94 V-0  
SIGNAL CONTACT - COPPER ALLOY  
POWER CONTACT - HIGH CONDUCTIVITY COPPER ALLOY
- 3 CONTACT PLATING: NOBLE METAL PLATING ON CONTACT FUNCTIONAL AREA OF POWER AND SIGNAL CONTACTS
- 4 MECHANICAL CONNECTOR KEEP OUT ZONE.
- 5 DATUM AND BASIC DIMENSIONS ESTABLISHED BY CUSTOMER.
- 6 PCB - ALL HOLE DIAMETERS ARE FINISHED HOLE SIZES.
- 7 PCB - .0453±.0010 DRILLED HOLES PLATED WITH .0003 MIN Sn OVER .001 TO .003 Cu PLATING TO ACHIEVE A .040 HOLE.



1.700	.250	.250	1.350	.875	1.750	-	2.050	.450	2P + 16S + 2P	6450630-3
4.450	.350	.250	2.100	1.425	4.500	-	4.800	.475	3ACP + 24S + 10P	6450630-2
4.000	.250	.250	2.650	1.675	4.050	2.225	4.350	.450	5P + 24S + 1M + 6P	6450630-1
U	S	T	R	W	D	M	L	K	DESCRIPTION	PART NUMBER

DIMENSIONS: INCHES 		TOLERANCES UNLESS OTHERWISE SPECIFIED: 0 PLC ±.1 2 PLC ±.01 3 PLC ±.005 4 PLC ±.0020 ANGLES ±.5°		DWN D. ZHU 26APR2007 CHK S. ZHAO 4SEP2006 APVD S. YAO NAME PRODUCT SPEC 108-1973 APPLICATION SPEC 114-13038 WEIGHT CUSTOMER DRAWING		Tyco Electronics Corporation Shanghai, P.R.China, 200233 RIGHT ANGLE HEADER MULTI-BEAM XL W/GUIDES MOUNTING HOLES, PRESS FIT SIZE CAGE CODE DRAWING NO RESTRICTED TO A100779C=6450630 SCALE 4:1 SHEET 1 OF 2 REV B1	
---------------------------	--	---	--	--	--	--	--

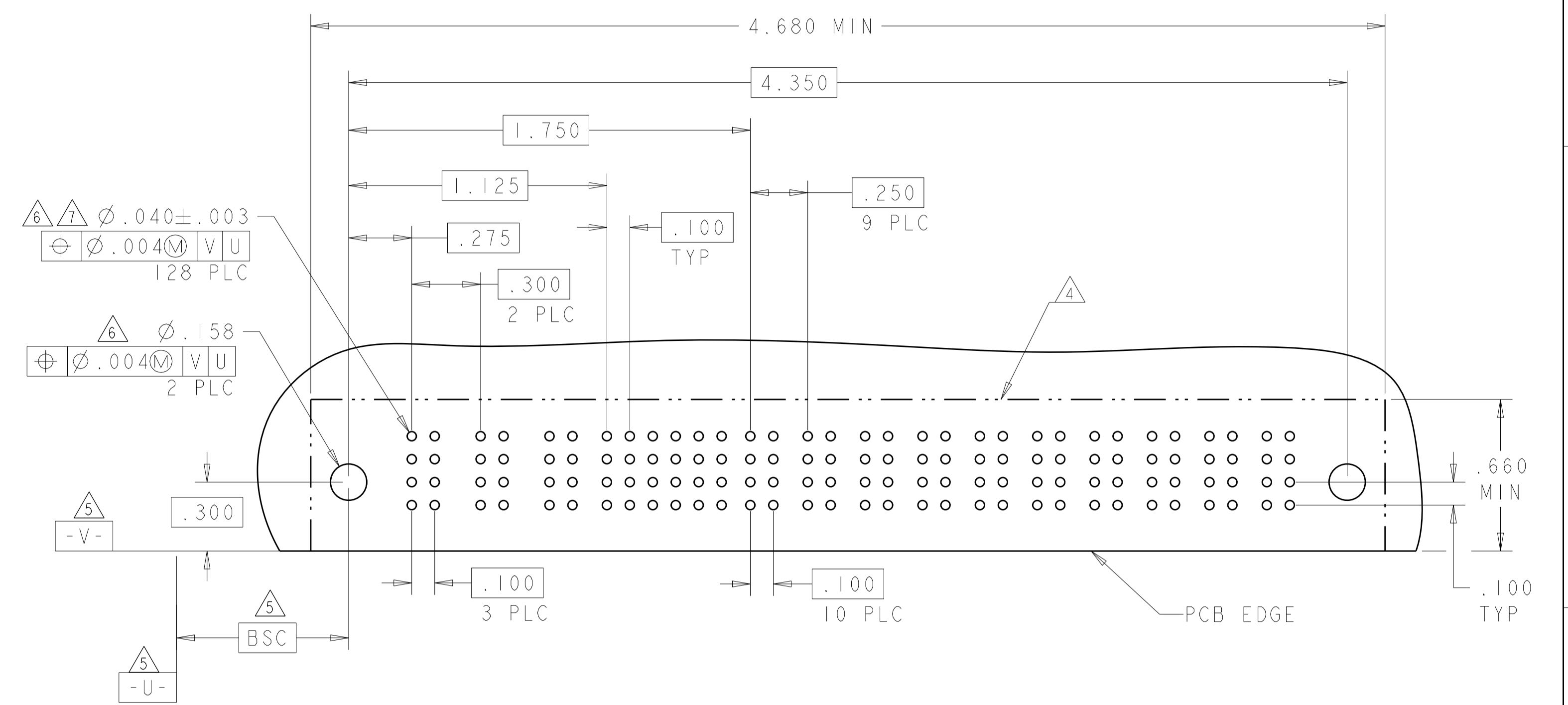
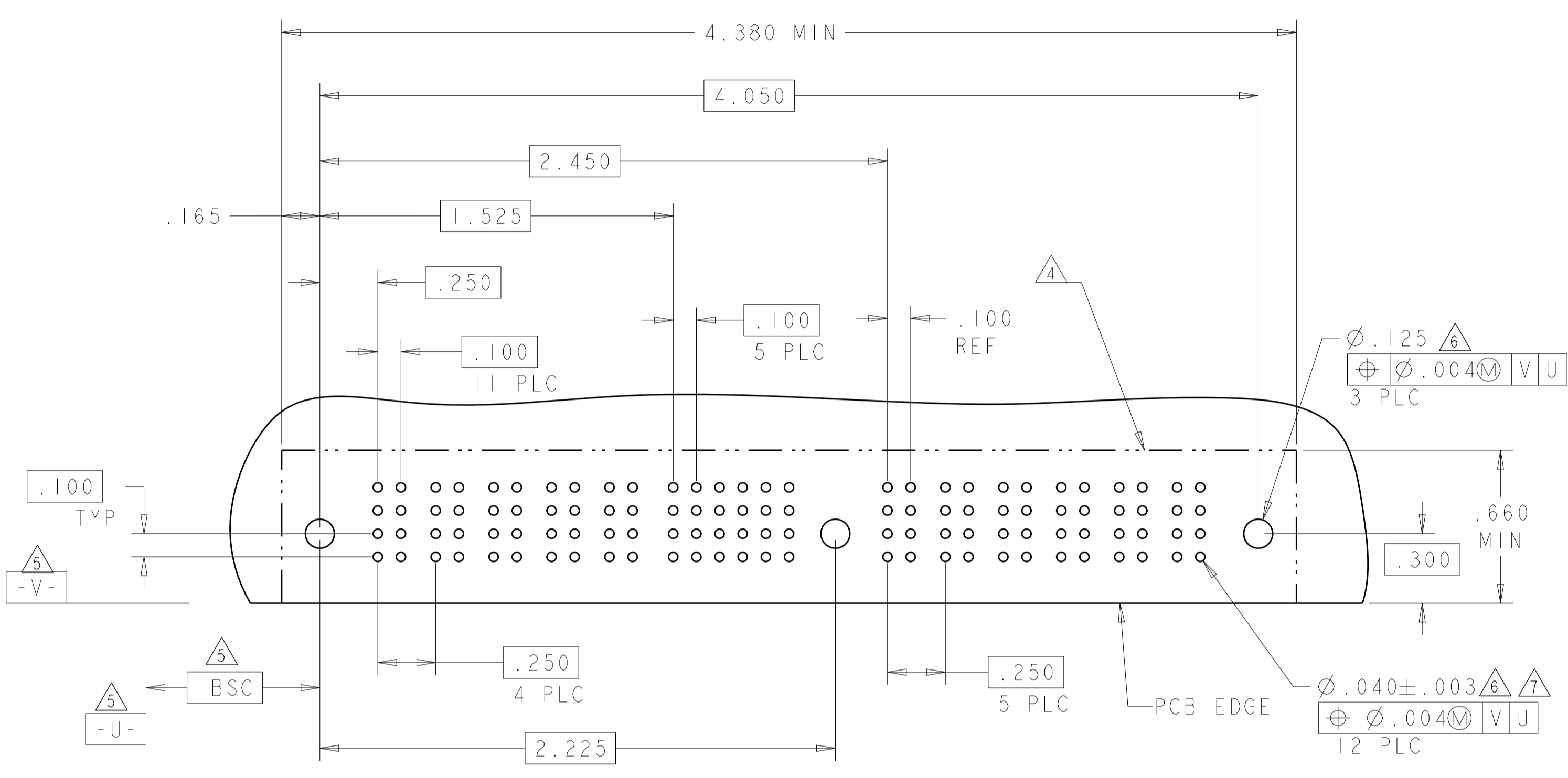
LOC	DIST	REV	DATE	APP'D
ES	00			

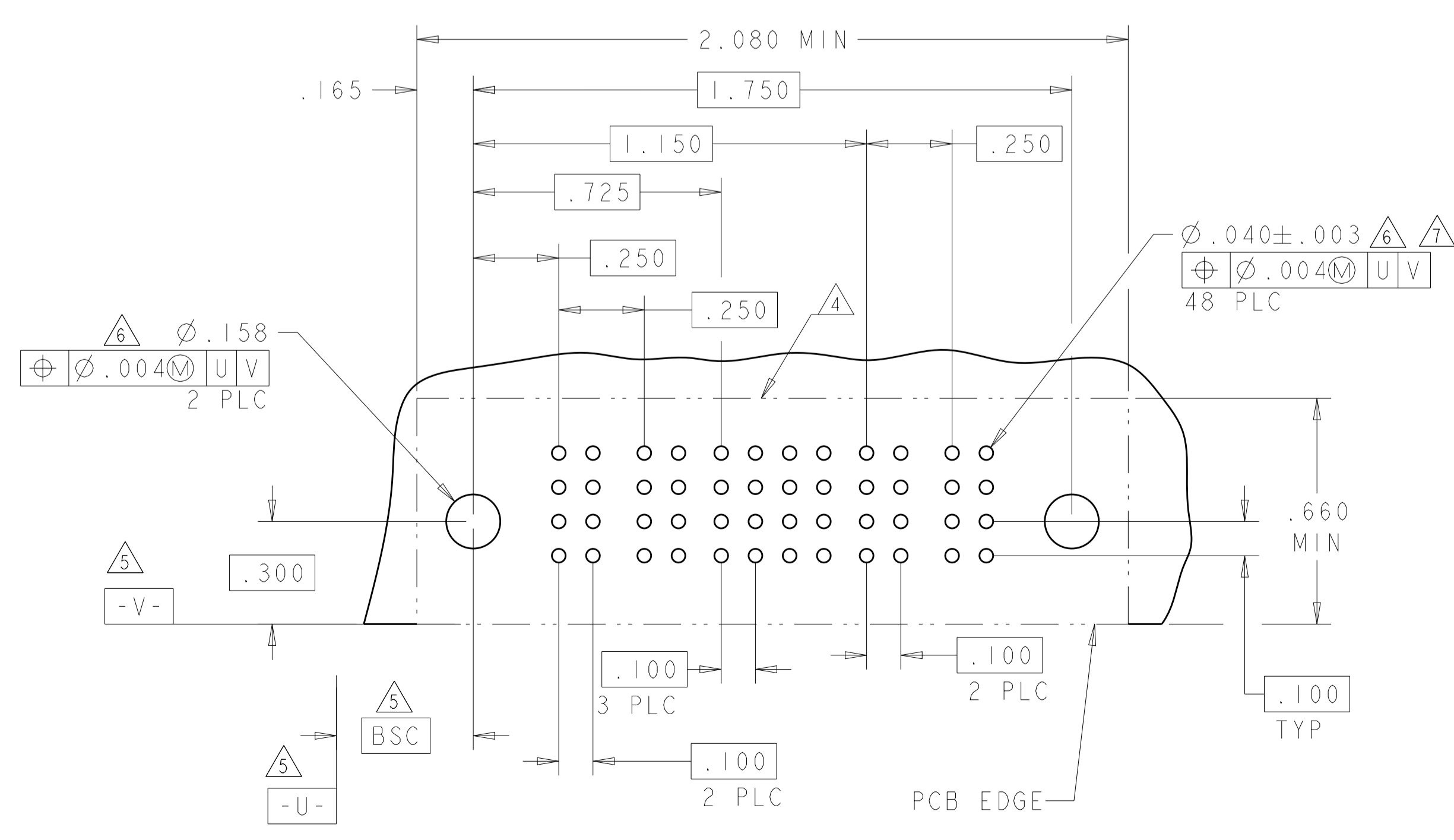
REVISIONS		DATE	OWN	APP'D
1	SEE SHEET 1			

PART NUMBER	ROWS	POWER					SIGNAL						CM	POWER						
		P1	P2	P3	P4	P5	1	2	3	4	5	6		P6	P7	P8	P9	P10	P11	
6450630-1	D C B A	PT	PT	PT	PT	PT	Z5	Z5	Z5	Z5	Z5	Z5	PT	PT	PT	PT	PT	PT		
		Y5	Y5	Y5	Y5	Y5	R5	R5	R5	R5	R5	R5	PT	PT	PT	PT	PT	PT		
		O5	O5	O5	O5	O5	O5	O5	O5	O5	O5	O1	PT	PT	PT	PT	PT	PT		
5P + 24S + 1M + 6P																				

PART NUMBER	ROWS	POWER			SIGNAL						POWER									
		P1	P2	P3	1	2	3	4	5	6	P4	P5	P6	P7	P8	P9	P10	P11	P12	P13
6450630-2	D C B A	PT	PT	PT	Z5	Z5	Z5	Z5	Z5	Z5	PT	PT	PT	PT	PT	PT	PT	PT	PT	PT
		Y5	Y5	Y5	R5	R5	R5	R5	R5	R5	PT	PT	PT	PT	PT	PT	PT	PT	PT	PT
		O1	O5	O5	O1	O5	O5	O5	O5	O5	PT	PT	PT	PT	PT	PT	PT	PT	PT	PT
3ACP + 24S + 10P																				



PART NUMBER	ROWS	POWER		SIGNAL				POWER	
		P1	P2	1	2	3	4	P3	P4
6450630-3	D C B A	PT	PT	Z1	Z1	Z1	Z5	PT	PT
		Y1	Y1	R1	R1	R1	Y5	PT	PT
		O1	O1	O1	O1	O5		PT	PT
2P + 16S + 2P									



Z1	MLBF	D
Y1	MLBF	C
R1	MLBF	B
O1	MLBF	A
Z5	STD	D
Y5	STD	C
R5	STD	B
O5	STD	A
CODE	MATING SEQUENCE	ROW
PT	STD	
POWER		
SIGNAL		

DIMENSIONS:		TOLERANCES UNLESS OTHERWISE SPECIFIED:		DWN: D. ZHU 26APR2007		Tyco Electronics Corporation	
INCHES		0 PLC ±.1		CHK: S. ZHAO 4SEP2006		Shanghai, P.R. China, 200233	
MATERIAL:		FINISH:		APVD: S. YAO		NAME: RIGHT ANGLE HEADER MULTI-BEAM XL W/GUIDES MOUNTING HOLES, PRESS FIT	
WEIGHT:		CUSTOMER DRAWING		SIZE: 114-13038		RESTRICTED TO: A100779	
SCALE: 4:1		SHEET 2 OF 2		REV: B1		CAGE CODE: 6450630	