

DO NOT SCALE DRAWING
DIMENSION IN METRIC

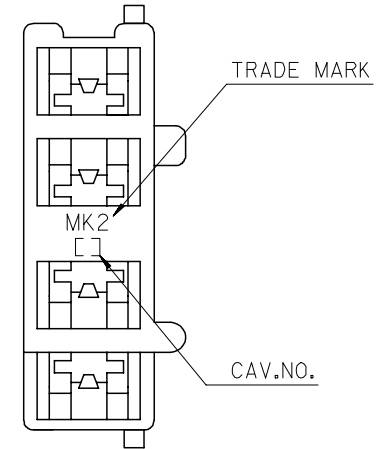
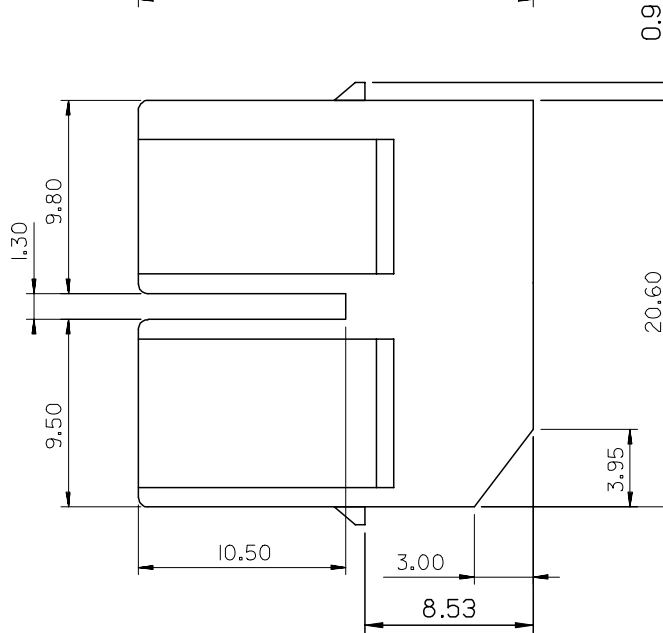
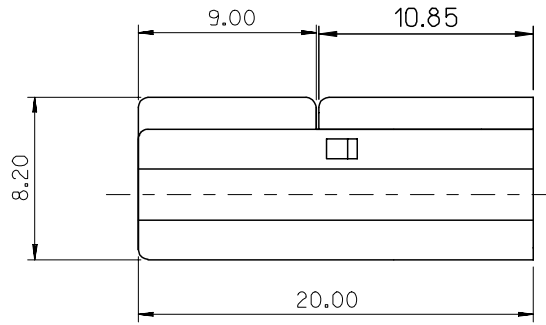
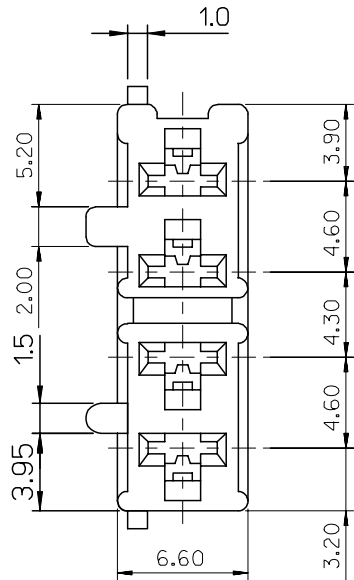
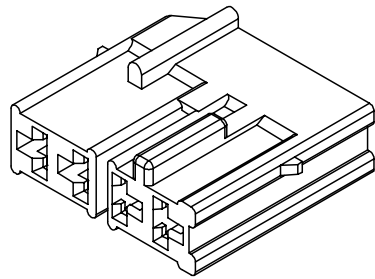
DWG. NO.
SD-3554-001

SIMILAR ITEM

PROJECT NO.

C

B



NOTES

1. MATERIALS

ENG.NO.	MATERIAL	COLOR
35544-0400	POLYESTER (PBT) UL94V-0	NATURAL (WHITE)
35544-9400	PBT/PC,UL94V-0	

2. APPLICABLE TERMINAL : .110 SLIP-ON REC'
35711-07*0/08*0

REVISED EC NO. KOR 2005-0203 DRWN: JB.JIN 05/08/05 CHK: W.Y.YANG APPR: C.W.LEE	DESCRIPTION	QUALITY SYMBOLS	GENERAL TOLERANCES: (UNLESS SPECIFIED)	SCALE 4:1	DESIGN UNITS <input checked="" type="checkbox"/> mm <input type="checkbox"/> INCH	THIRD ANGLE PROJECTION	DIMENSIONS: <input type="checkbox"/> mm <input type="checkbox"/> INCH <input type="checkbox"/> mm <input type="checkbox"/> INCH	SHT	REV
		MAJOR = 0 CRITICAL = 0	mm INCH	DRAWN BY & DATE W.Y.YANG 97/10/30	TITLE: .110 HOUSING-4P (FOR DOOR SWITCH)				
REV	DESCRIPTION	4 PLACES	±0.	±.	CHECKED BY & DATE B.K.CHOI 97/10/30	MOLEX INCORPORATED	MATERIAL NO. SEE TABLE	DRAWING NO. SD-35544-001	SHEET NO. 1/1
		3 PLACES	±0.	±.	APPROVED BY & DATE C.W.LEE 97/10/30				
		2 PLACES	±0.30	±.	CAD FILENAME S35544AA.DGN				
		1 PLACE	±0.30	±.	THIS DRAWING CONTAINS INFORMATION THAT IS PROPRIETARY TO MOLEX INCORPORATED AND SHOULD NOT BE USED WITHOUT WRITTEN PERMISSION.				SIZE B
		ANGULAR: ± 3.0°		DRAFT WHERE APPLICABLE MUST REMAIN WITHIN DIMENSIONS					

MX-A3