

4

3

2

1

THIS DRAWING IS UNPUBLISHED.

RELEASED FOR PUBLICATION

- . - .

© COPYRIGHT - BY TYCO ELECTRONICS CORPORATION.

ALL RIGHTS RESERVED.

LOC

DIST

REVISIONS

AJ

19

P

LTR

DESCRIPTION

DATE

DWN

APVD

AC2

REVISED PER ECO-10-008433

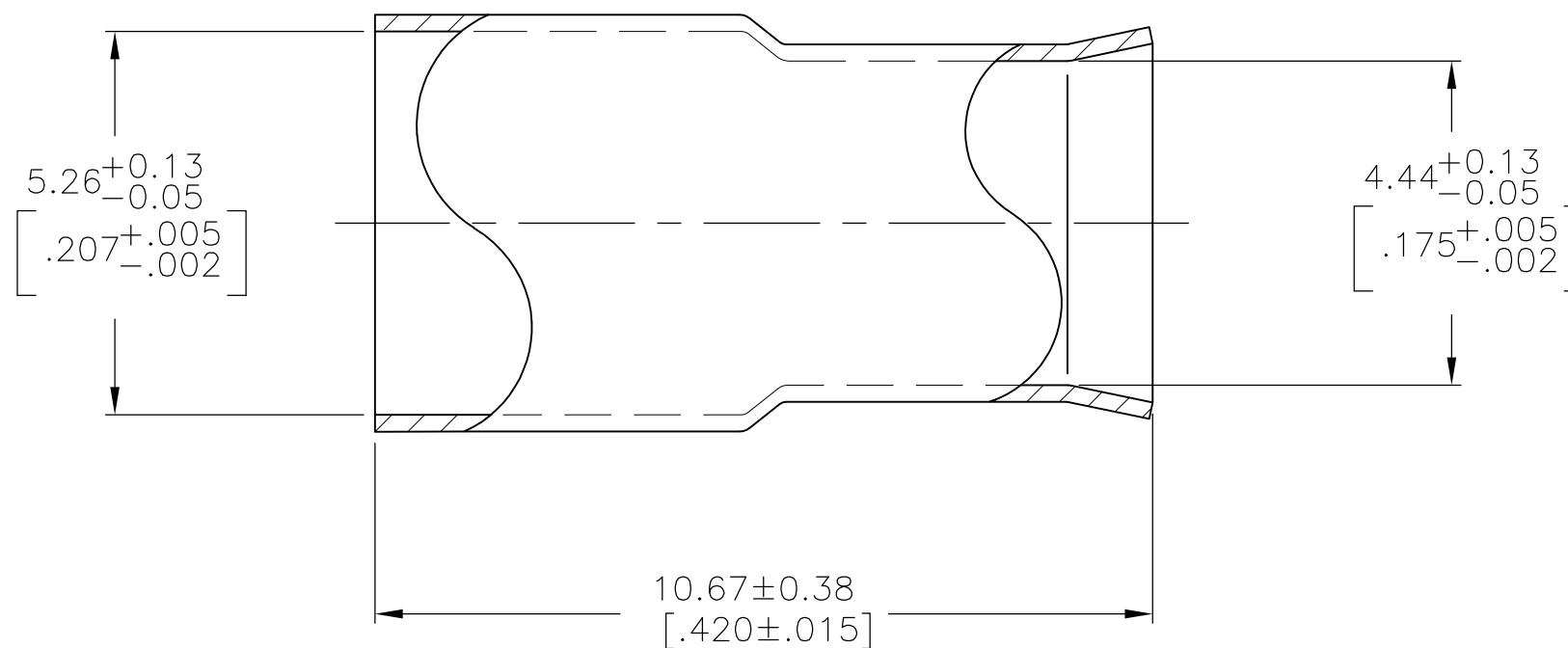
20MAY10

HMR

KW

△1 SILVER PLATE PER QQ-S-365

△2 TIN-LEAD PLATE PER ASTM-B-571



△1	9-328664-0
△2	2-328664-1
△1	328664
FINISH	PART NUMBER

THIS DRAWING IS A CONTROLLED DOCUMENT.		DWN B. WERNER 01-22-93	Tyco Electronics Corporation Harrisburg, PA 17105-3608	
DIMENSIONS: mm [INCHES]		CHK J. McLEOD 01-22-93	NAME	
TOLERANCES UNLESS OTHERWISE SPECIFIED:		APVD J. McLEOD 01-22-93	FERRULE, STEP-DOWN	
0 PLC ± -		PRODUCT SPEC	SIZE	
1 PLC ± -		APPLICATION SPEC	CAGE CODE	DRAWING NO
2 PLC ± -		WEIGHT	RESTRICTED TO	
3 PLC ± -			A3	00779
4 PLC ± -			C-	328664
ANGLES ± -			SCALE	10:1
MATERIAL	FINISH	CUSTOMER DRAWING		SHEET
COPPER ALLOY	SEE NOTES			1 OF 1
				REV
				AC2