

6

5

4

3

2

1

E

E

D

D

C

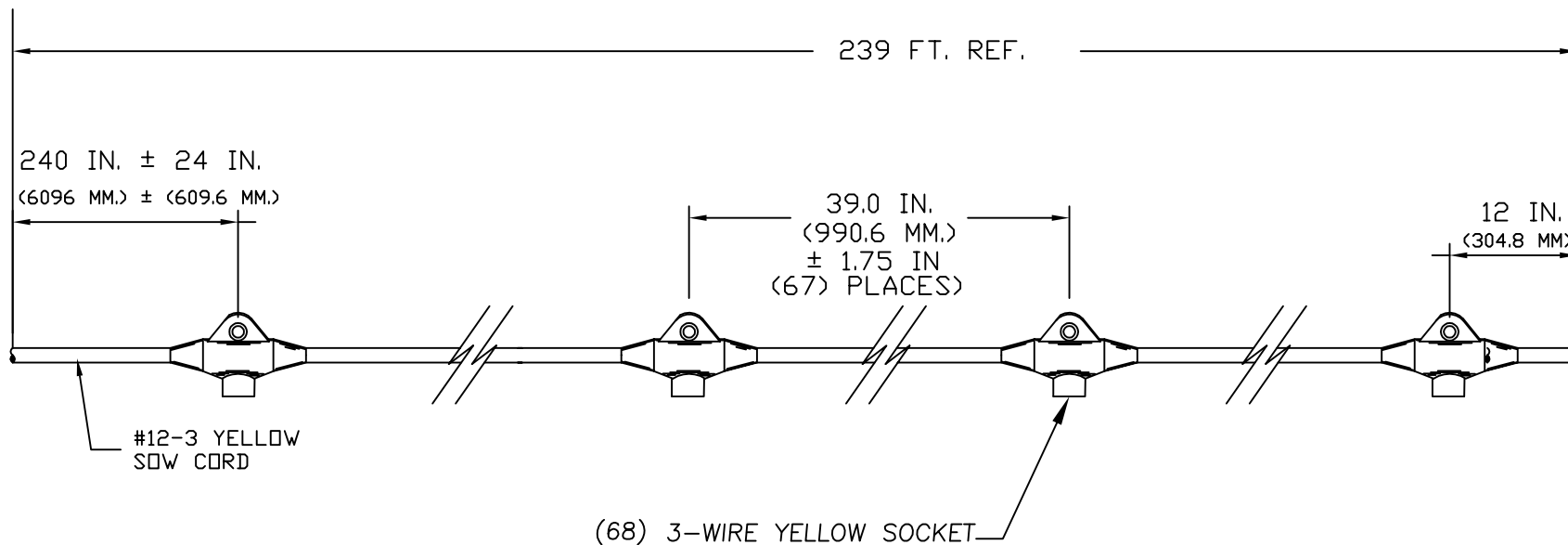
C

B

B

A

A



<b>CUSTOMER DRAWING</b> EC NO: WNA2008-0149 DRWN: TVICKERS 2008/03/24 CHKD: HK 2008/20/03 APPR: SZAFAR 2008/03/31	<b>QUALITY SYMBOLS</b> ▽=0 ∇=0	<b>GENERAL TOLERANCES (UNLESS SPECIFIED)</b>		<b>DIMENSION STYLE</b> IN/MM		SCALE ---	DESIGN UNITS INCH	THIRD ANGLE PROJECTION		
		4 PLACES 3 PLACES 2 PLACES 1 PLACE	mm ±--- ±--- ±0.25 ±0.76	INCH ±--- ±.010 ±.030 ±---	DRAWN BY TV	DATE 2008/20/03	TITLE <b>STRINGLIGHT 239 FEET          (68)323 @ 39 IN.CENTERS          20 FT. LEAD &amp; 1 FT. TAIL</b>			
		ANGULAR ±1/2°		CHECKED BY HK	DATE 2008/20/03	<b>MOLEX INCORPORATED</b>				
		<b>DRAFT WHERE APPLICABLE          MUST REMAIN          WITHIN DIMENSIONS</b>		APPROVED BY SZ	DATE 2008/20/03	MATERIAL NO. 1301060141	DOCUMENT NO. SD-130106-001	SHEET NO. 1 OF 1		
A	REV			SIZE A	THIS DRAWING CONTAINS INFORMATION THAT IS PROPRIETARY TO MOLEX INCORPORATED AND SHOULD NOT BE USED WITHOUT WRITTEN PERMISSION					

6

5

4

3

2

1