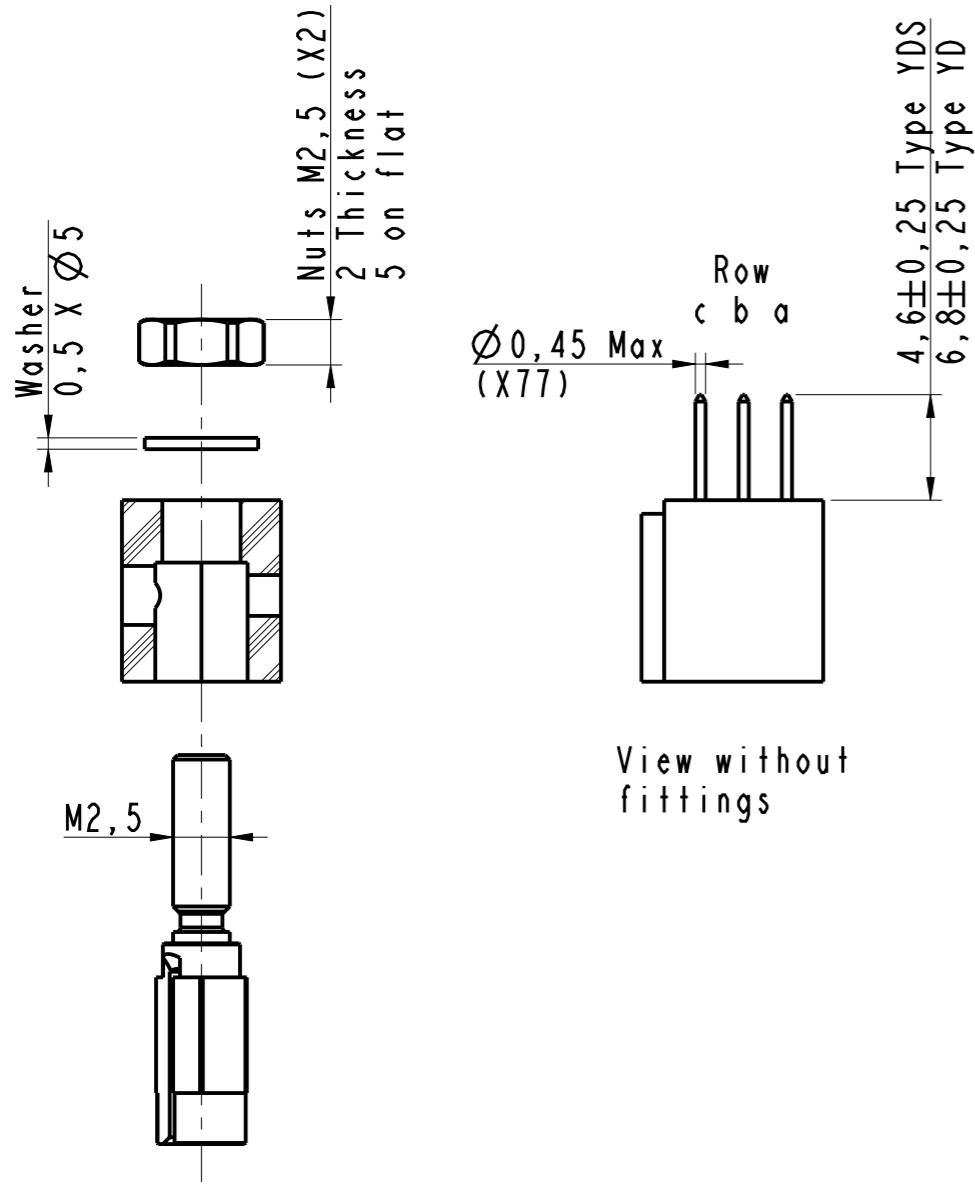
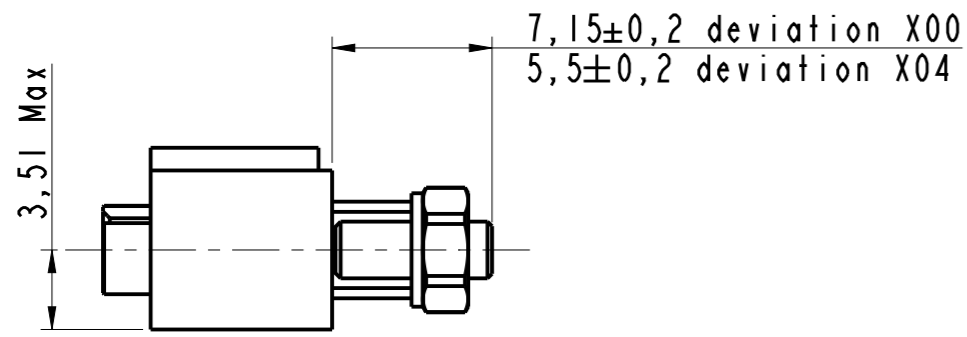
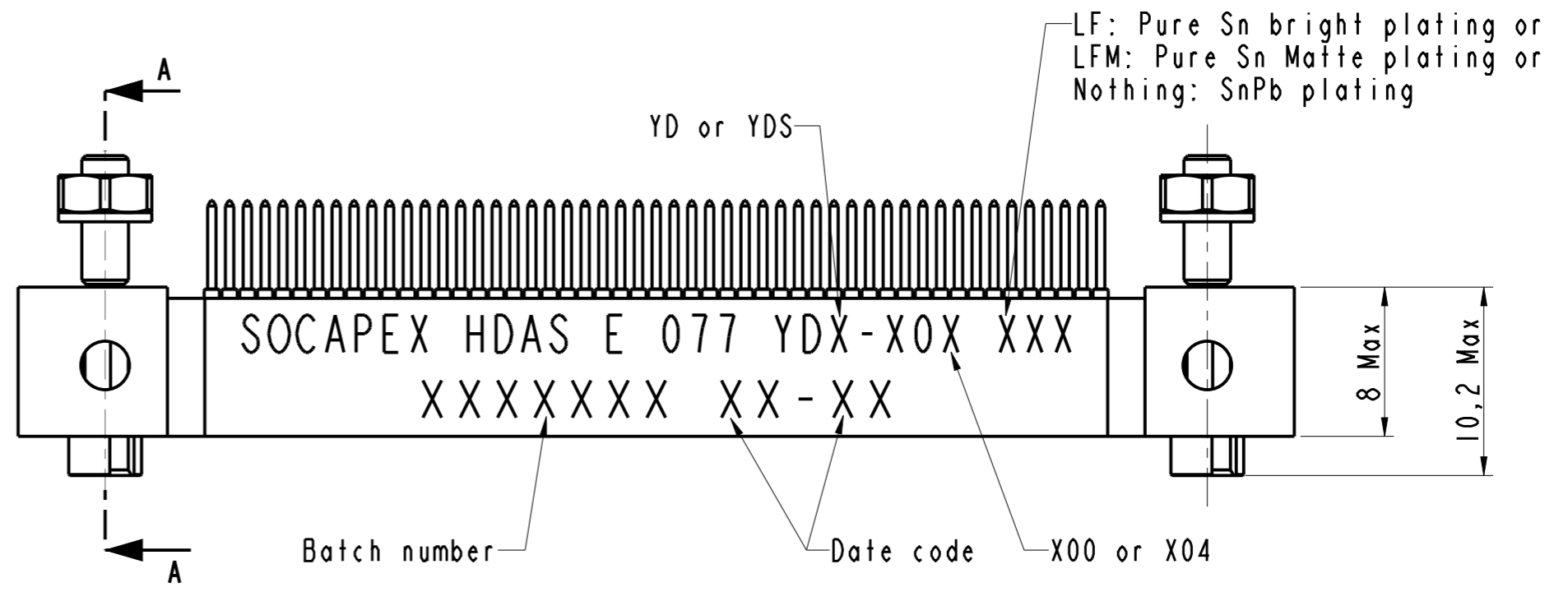
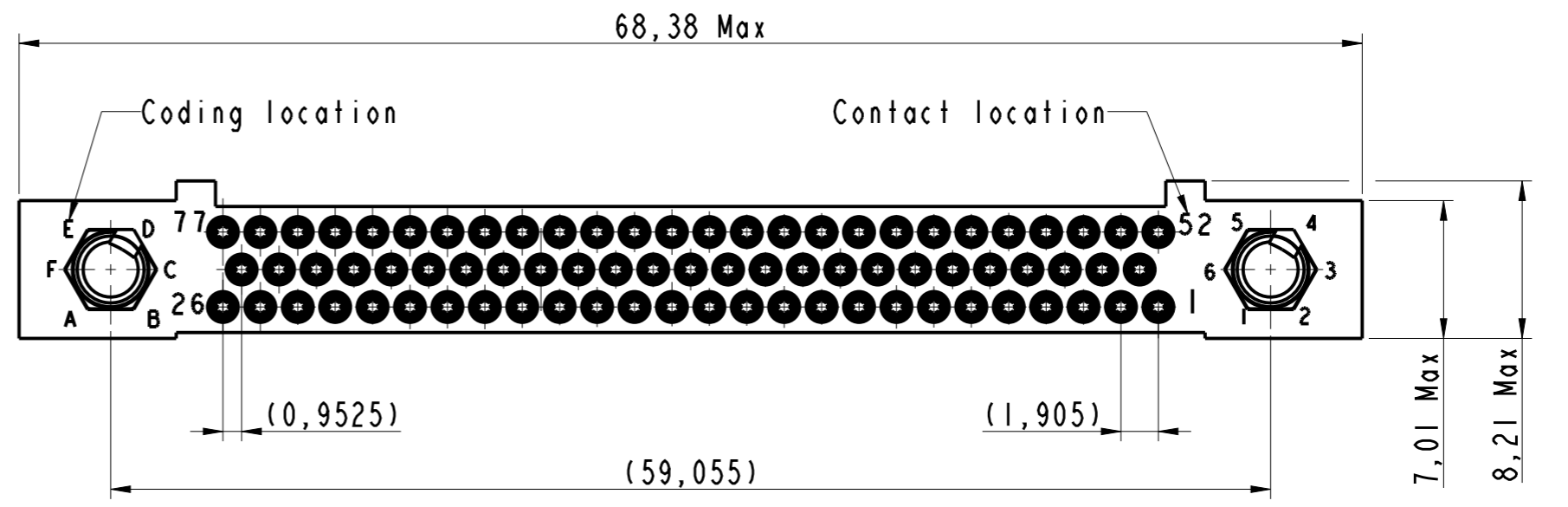


IN THE CONSTANT PURPOSE OF IMPROVING ITS PRODUCTS, Amphenol Socapex RESERVES THE RIGHT TO MODIFY ANY DIMENSION OR CHARACTERISTICS.  
FM.NPD.0036.THYEZ.PUNE rev C



Section A-A

- Notes:
1. Part: HDAS E 077 YDX-X0X XXX
  2. External dimensions of the receptacle insulator with 77 signal contacts type YDX
  3. Connector delivered with fittings not assembled, coupling torque 0,25Nm.
  4. Standard 00X : Nickel plated over brass fittings  
Deviation 10X: Passivated stainless steel fittings.



SOCAPEX HDAS E 077 YDX-X0X XXX  
 XXXXXXXX XX-XX

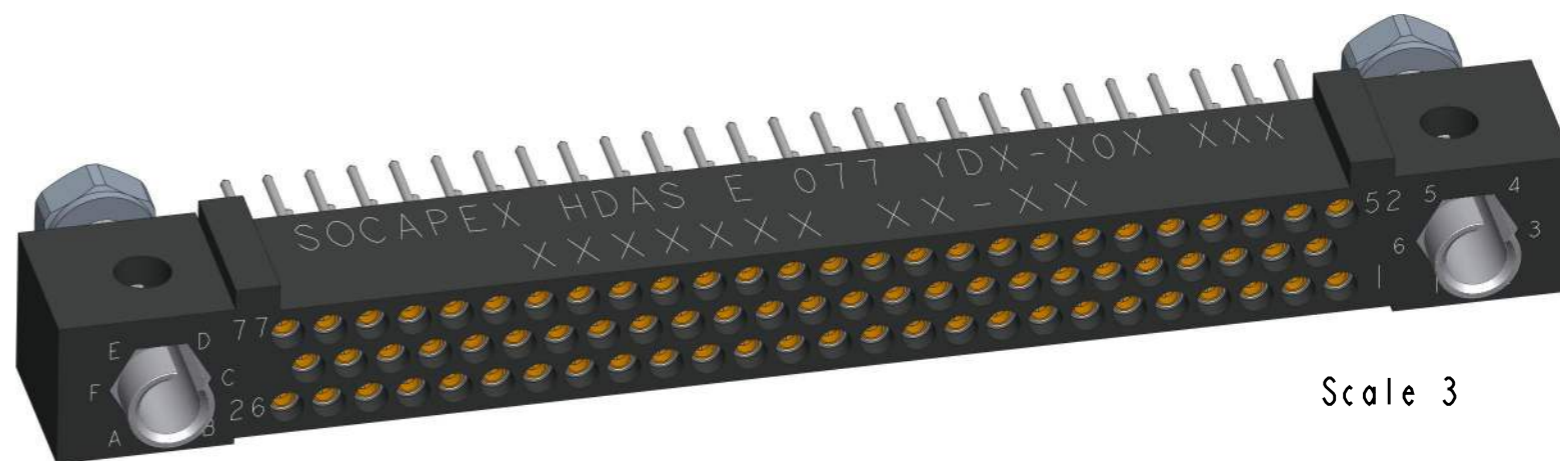
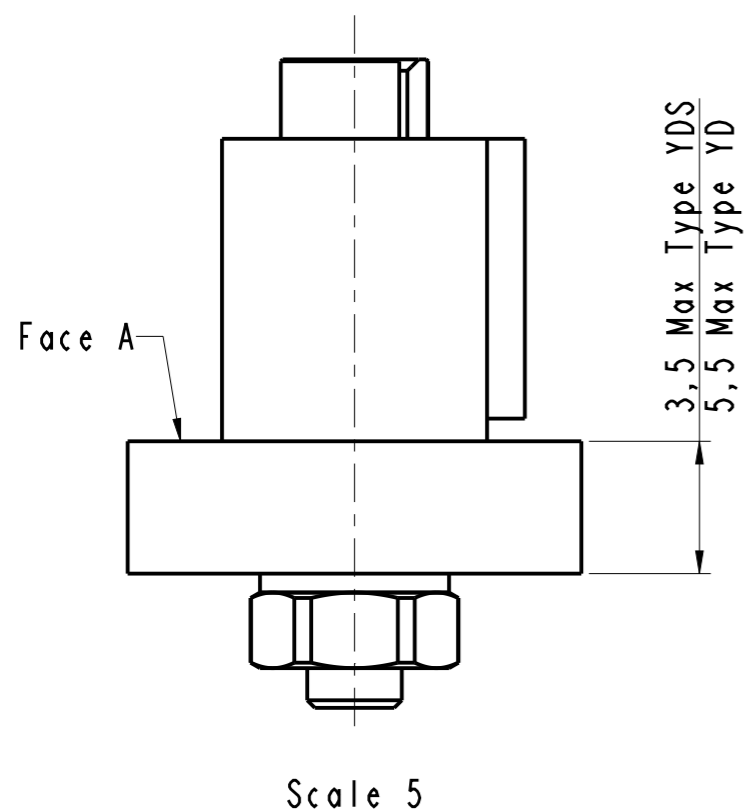
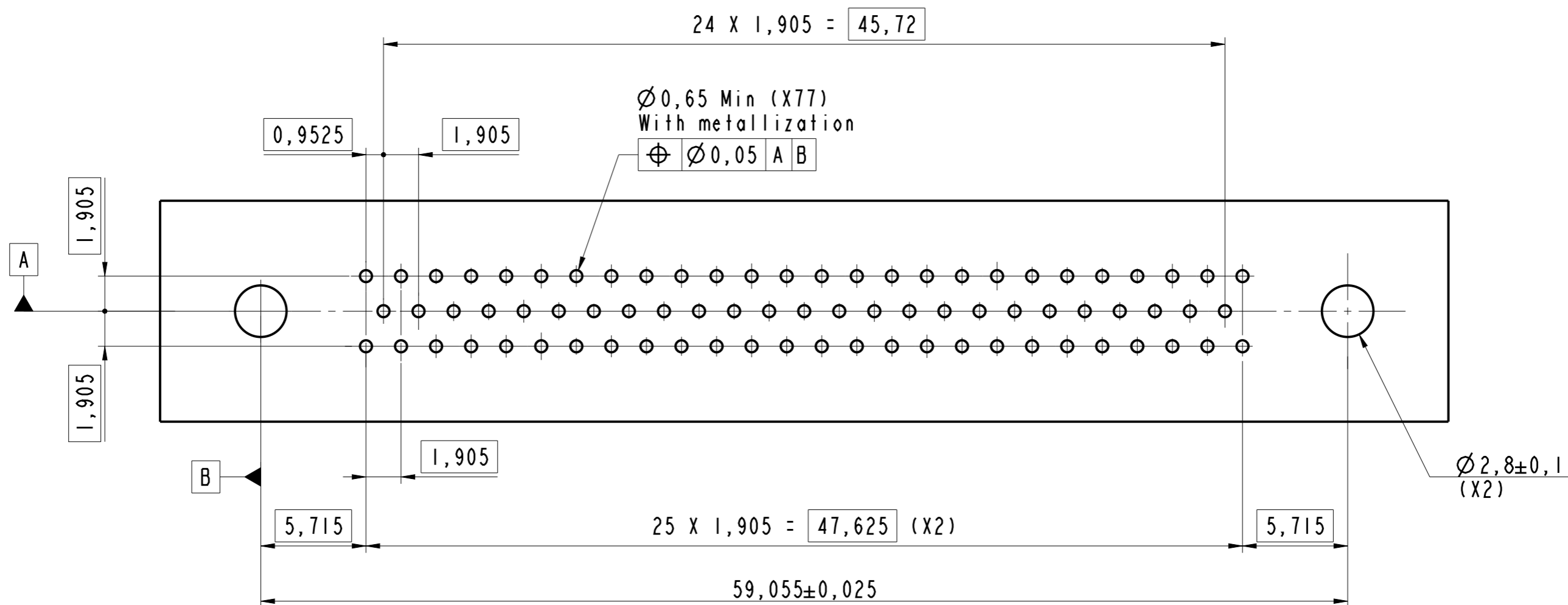
YD or YDS  
 LF: Pure Sn bright plating or  
 LFM: Pure Sn Matte plating or  
 Nothing: SnPb plating

Batch number      Date code      X00 or X04

# HDAS E 077 YDX-X0X XXX

DRAWN BY: N. Sutar		UPDATED BY: S Satpute		LAST APPROVED BY: T Carrier	
ALL DIMENSIONS ARE IN MM	AMPHENOL SOCAPEX			ORIGINAL DRAWING DATE: 13/12/2011	CONFIGURATION DATA ARE AVAILABLE IN PDM
				SCALE: 3	REV: F
B.P. 29 74311 THYEZ CEDEX		169-PLC-892-00			

# PCB Layout Face A



## HDAS E 077 YDX-X0X XXX

DRAWN BY : N. Sutar		UPDATED BY : S Satpute		LAST APPROVED BY : T Carrier	
ALL DIMENSIONS ARE IN MM		AMPHENOL SOCAPEX		ORIGINAL DRAWING DATE : 13/12/2011	CONFIGURATION DATA ARE AVAILABLE IN PDM
SCALE : 5				REV : F	PAGE : 2/2
		B.P. 29 74311 THYEZ CEDEX		169-PLC-892-00	

IN THE CONSTANT PURPOSE OF IMPROVING ITS PRODUCTS, Amphenol Socapex reserves the right to modify any dimension or characteristics. FM.NPD.0036.THYEZ.PUNE rev C