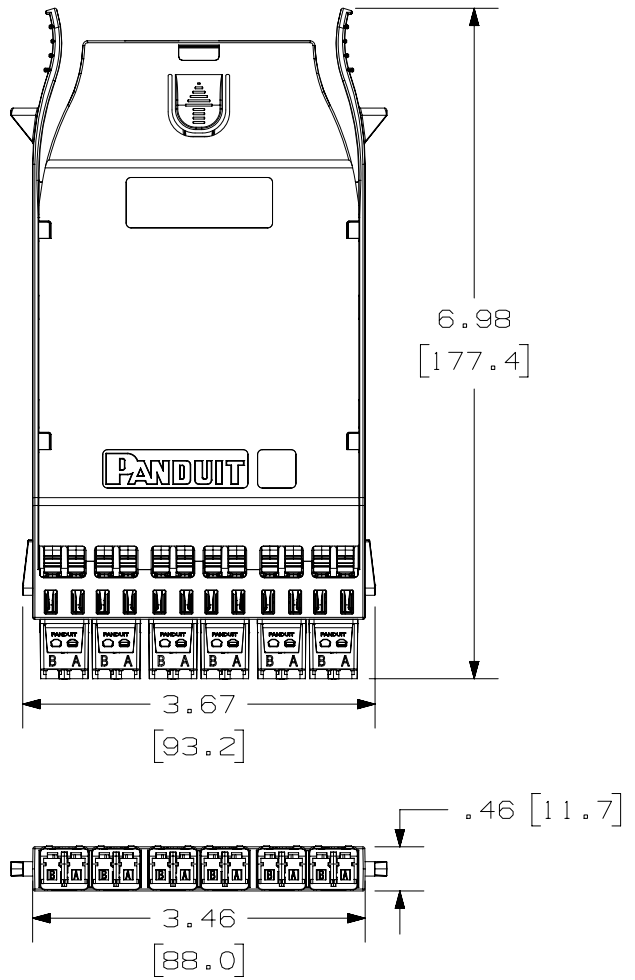
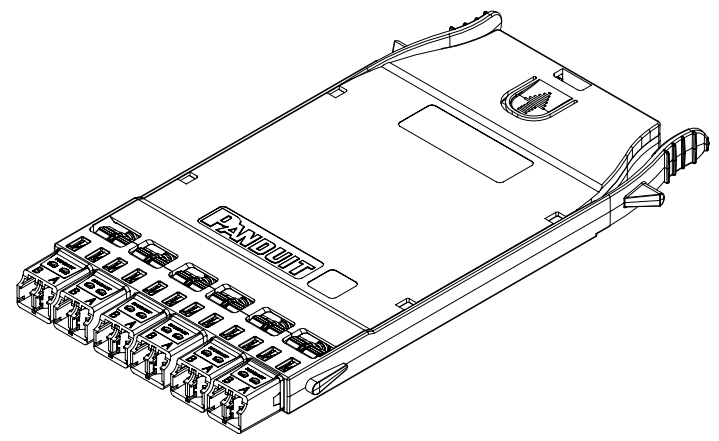


THIS COPY IS PROVIDED ON A RESTRICTED BASIS AND IS NOT TO BE USED IN ANY WAY DETRIMENTAL TO THE INTERESTS OF PANDUIT CORP.



- NOTES:
1. PART NUMBERS: SEE SHEET 2 FOR ALL PART NUMBERS.
 2. CASSETTE WIRING COMPLIES WITH ANSI/TIA-568-C.0 SEE ANSI/TIA-568-C.0 FOR POLARITY DETAILS AND AN EXAMPLE OF A BASIC LINK.
 3. CASSETTE WEIGHT: 3oz (85g)
 4. MAX CABLE DIAMETER IS .291 [7.4].




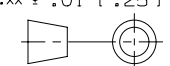
REV	DATE	BY	CHK	APR	DESCRIPTION	ECN
02	9/13/17	JSP	WJM	EJH	A. ADDED MAX DIAMETER NOTE #4.	12F187PE-DC
01	12-03-15	SAT	YMG	RAR/ EJH	RELEASED TO PRODUCTION	12F187PE-DC

TITLE HD FLEX 12 FIBER LC SPLICE CASSETTE CUSTOMER DRAWING					
ITEM REVISION NAME 12F187PE/00				PANDUIT	
DATASET FILE NAME 12F187PE_DC/00C					
UNLESS OTHERWISE SPECIFIED, DIMENSIONAL TOLERANCES ARE: IN (mm)					
.x ± .1 [2.54]		.xxx ± .005 [.127]		MATERIAL:	
.xx ± .01 [.25]		ANGLES ± 5°		DRAWING NUMBER: 12F187PE-DC	
DRAWN BY SAT			DATE 01-16-15		CHK PJI
SCALE NONE			THIRD ANGLE PROJECTION		
SHT 1 OF 2				SIZE A	

THIS COPY IS PROVIDED ON A RESTRICTED BASIS AND IS NOT TO BE USED IN ANY WAY DETRIMENTAL TO THE INTERESTS OF PANDUIT CORP.

PRODUCT FAMILY	CASSETTE PART NUMBER	CASSETTE DESCRIPTION
12 FIBER LC FAP CASSETTE - NOT LOADED (LC PIGTAILS NOT INCLUDED)	FHSXN-12-10N	FAP (FIBER ADAPTER PANEL) CASSETTE W/ AQUA ZIRCONIA ADAPTERS
	FHS9N-12-10N	FAP (FIBER ADAPTER PANEL) CASSETTE W/ BLUE ZIRCONIA ADAPTERS
	FHS9N-12-LAN	FAP (FIBER ADAPTER PANEL) CASSETTE W/ GREEN ZIRCONIA ADAPTERS
12 FIBER LC SPLICE CASSETTE - PRELOADED WITH DISCRETE PIGTAILS	FHSX0-12-10P	12F OM3 LC DISCRETE PIGTAILS; OPTIMIZED IL
	FHSZ0-12-10P	12F OM4 LC DISCRETE PIGTAILS; OPTIMIZED IL
	FHSZA-12-10P	12F OM4 LC DISCRETE PIGTAILS; ULTRA IL
	FHS9N-12-10P	12F OS2 LC DISCRETE PIGTAILS; STANDARD IL
	FHS9N-12-LAP	12F OS2 LC/APC DISCRETE PIGTAILS; STANDARD IL
12 FIBER LC SPLICE CASSETTE - PRELOADED WITH RIBBON PIGTAIL	FHSX0-12-10R	12F OM3 LC RIBBONIZED PIGTAIL; OPTIMIZED IL
	FHSZ0-12-10R	12F OM4 LC RIBBONIZED PIGTAILS; OPTIMIZED IL
	FHSZA-12-10R	12F OM4 LC RIBBONIZED PIGTAIL; ULTRA IL
	FHS9N-12-10R	12F OS2 LC RIBBONIZED PIGTAIL; STANDARD IL

REV	DATE	BY	CHK	APR	DESCRIPTION	ECN
02	9/13/17	JSP	WJM	EJH	SEE SHEET 1 FOR REVISIONS.	12F187PE-DC

TITLE		HD FLEX 12 FIBER LC SPLICE CASSETTE	
		CUSTOMER DRAWING	
ITEM REVISION NAME		12F187PE/00	
DATASET FILE NAME		12F187PE_DC/00C	
UNLESS OTHERWISE SPECIFIED, DIMENSIONAL TOLERANCES ARE: IN (mm)			
.x ± .1 (2.54) .xxx ± .005 (.127)		MATERIAL:	
.xx ± .01 (.25) ANGLES ± 5 °		DRAWING NUMBER:	
		12F187PE-DC	
DRAWN BY	DATE	CHK	SCALE
SAT	01-16-15	PJI	NONE
SHT 2 OF 2		SIZE	
		A	

D101000DA/14