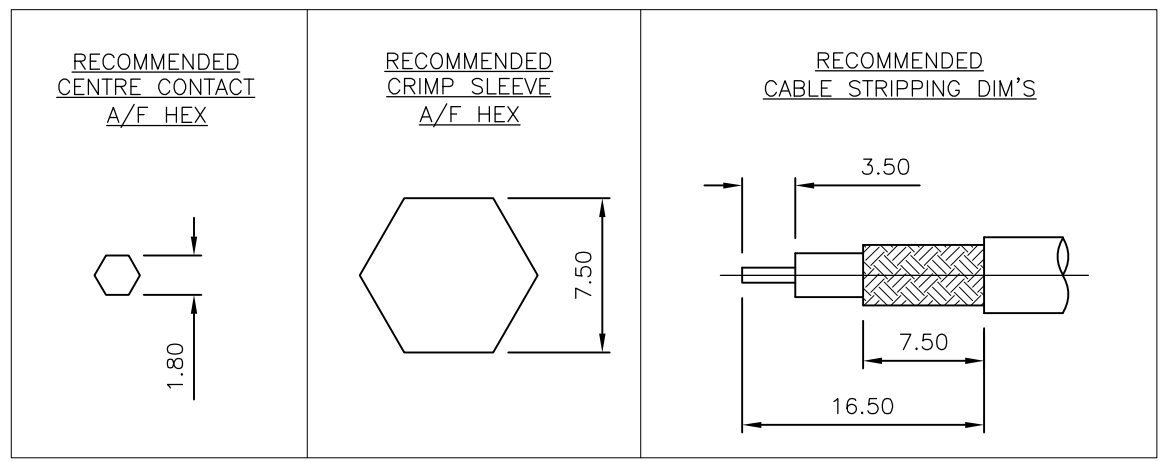
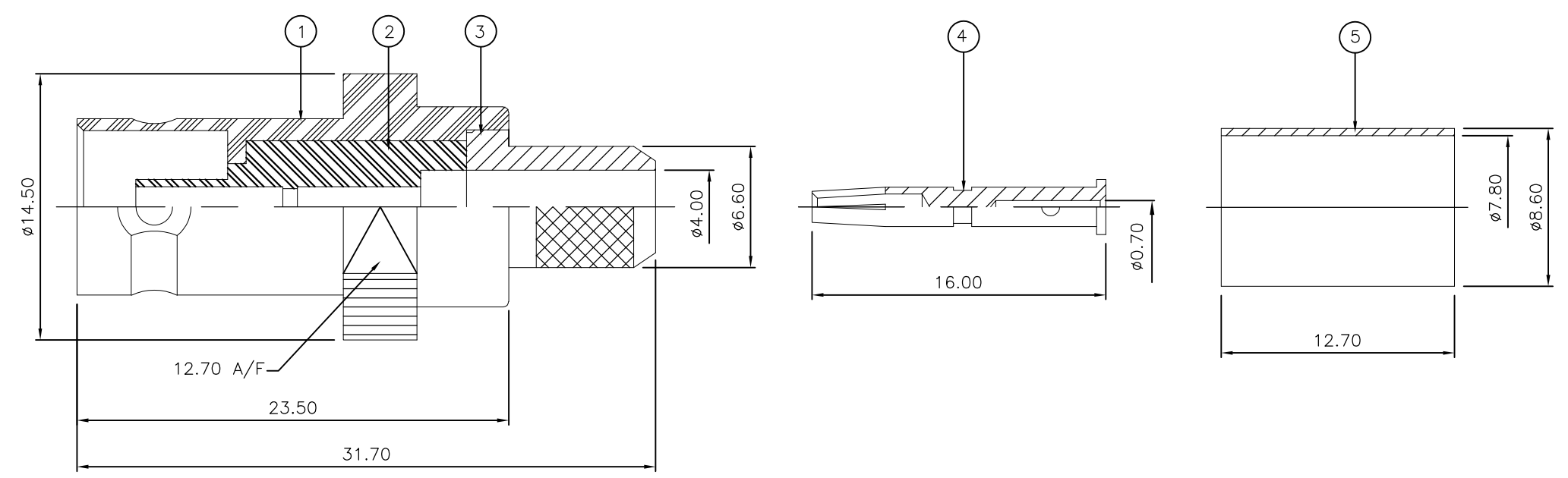


THIS DRAWING IS UNPUBLISHED. RELEASED FOR PUBLICATION JUN ,2006.  
 © COPYRIGHT 2006 BY TYCO ELECTRONICS CORPORATION. ALL RIGHTS RESERVED.

LOC	DIST	REVISIONS					
E	B	P	LTR	DESCRIPTION	DATE	DWN	APVD
		C		ECO-09-018312	30AUG2009	AM	BOB

NOTES:

- 1 PACK IN ACCORDANCE WITH AMP SPEC 107-3275
- 2 100 TRAY PACK IN ACCORDANCE WITH AMP SPEC 107-3275
- 3 Au PLATING
- 4 Ni PLATING
- 5 HAND TOOL : 9-1478240-0
- 6 DIE SET : 9-1478247-0
- 7 ELECTRICAL CHARACTERISTICS  
 FREQUENCY RANGE: DC - 2 GHz  
 NOMINAL IMPEDANCE: 75 Ohm  
 INSULATION RESISTANCE: 5000 MOhm  
 WORKING VOLTAGE: 500 Volts RMS at Sea Level  
 DIELECTRIC WITHSTAND VOLTAGE: 1500 Volts RMS Max  
 CONTACT RESISTANCE:  
 CENTRE CONTACT: 1.50 mOhm Max  
 OUTER CONTACT: 0.20 mOhm Max  
 VSWR @ 2GHz: 1.20:1 Max  
 INSERTION LOSS dB @ x 2 GHz: 0.20 Max
- 8 MECHANICAL CHARACTERISTICS  
 COUPLING RETENTION FORCE: N/A  
 CABLE RETENTION FORCE: 170N Min  
 DURABILITY: 500 Cycles Min
- 9 ENVIRONMENTAL CHARACTERISTICS  
 OPERATING TEMPERATURE: -65 to +165 DegC
- 10 FOR TECHNICAL DATA REFER TO YOUR LOCAL TYCO ELECTRONICS SALES OFFICE
- 11 ALL DIMENSIONS ARE NOMINAL FOR REFERENCE ONLY UNLESS OTHERWISE STATED
- 12 PART VERSION:1-1478070-0 REV.B



OBSOLETE

QTY	QTY PER ASSY	MATERIAL	DESCRIPTION	ITEM
1		BRASS	FERRULE	5
1		BRASS	CONTACT	4
1		BRASS	CHASSIS	3
1		PTFE	INSULATION	2
1		BRASS	BODY	1
6--0	1--0			

QUANTITY PER ASSY      PARTS LIST

THIS DRAWING IS A CONTROLLED DOCUMENT.		DWN J.SANDWELL 15JUN06		Tyco Electronics Corporation Bideford EX39 4HE	
DIMENSIONS: mm		CHK S.PARLOW 15JUN06			
TOLERANCES UNLESS OTHERWISE SPECIFIED:		APVD F.WHEELER-KING 15JUN06		NAME	
0 PLC ± -		PRODUCT SPEC		BNC STRAIGHT JACK CRIMP 75 OHM BT2003	
1 PLC ± -		APPLICATION SPEC		SIZE	
2 PLC ± -		411-3247		CAGE CODE	
3 PLC ± -		WEIGHT -		DRAWING NO	
4 PLC ± -		CUSTOMER DRAWING		A3 00779 C-1478070	
ANGLES ± -		SCALE NTS		SHEET 1 OF 1	
FINISH -		RESTRICTED TO -		REV C	