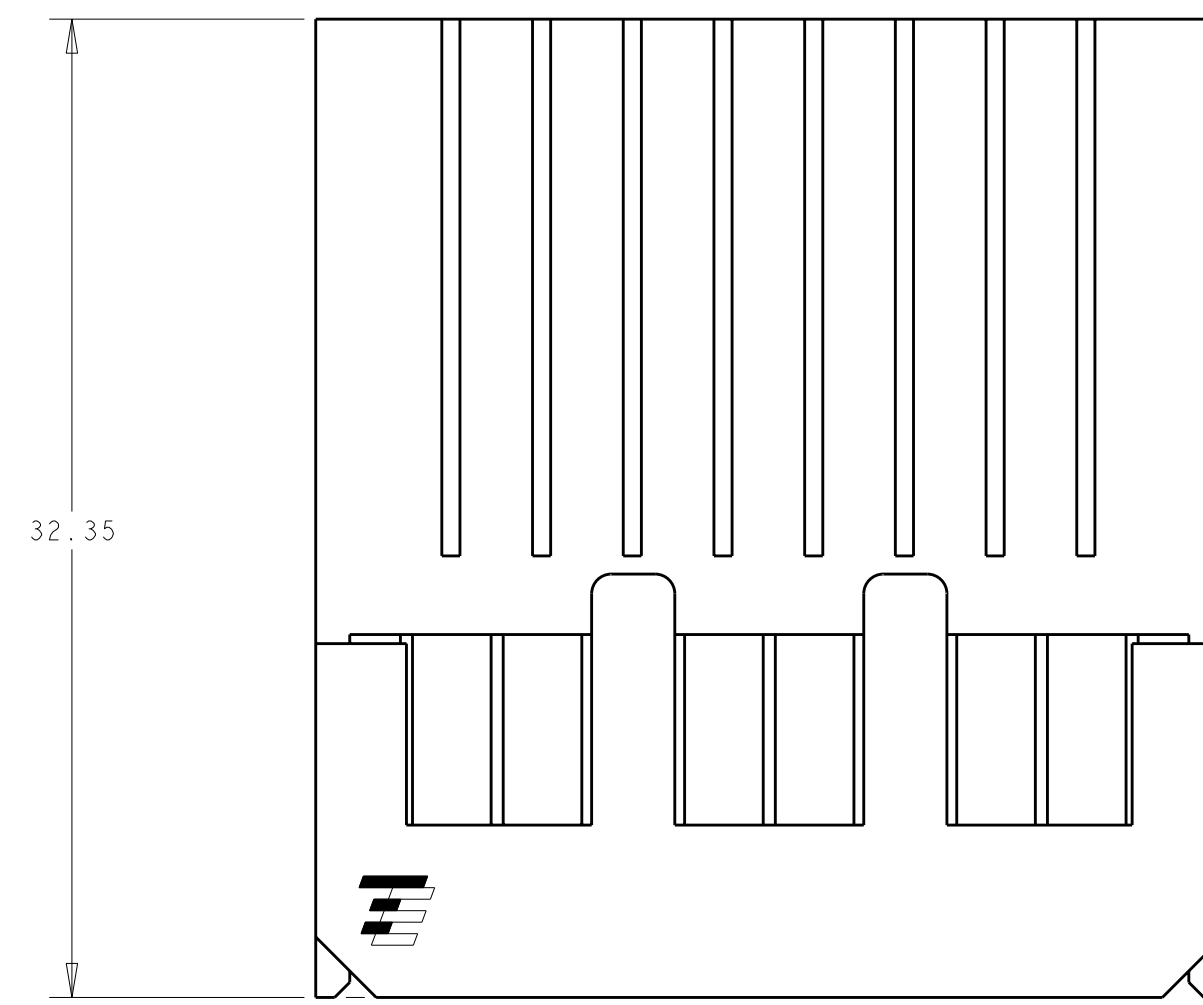
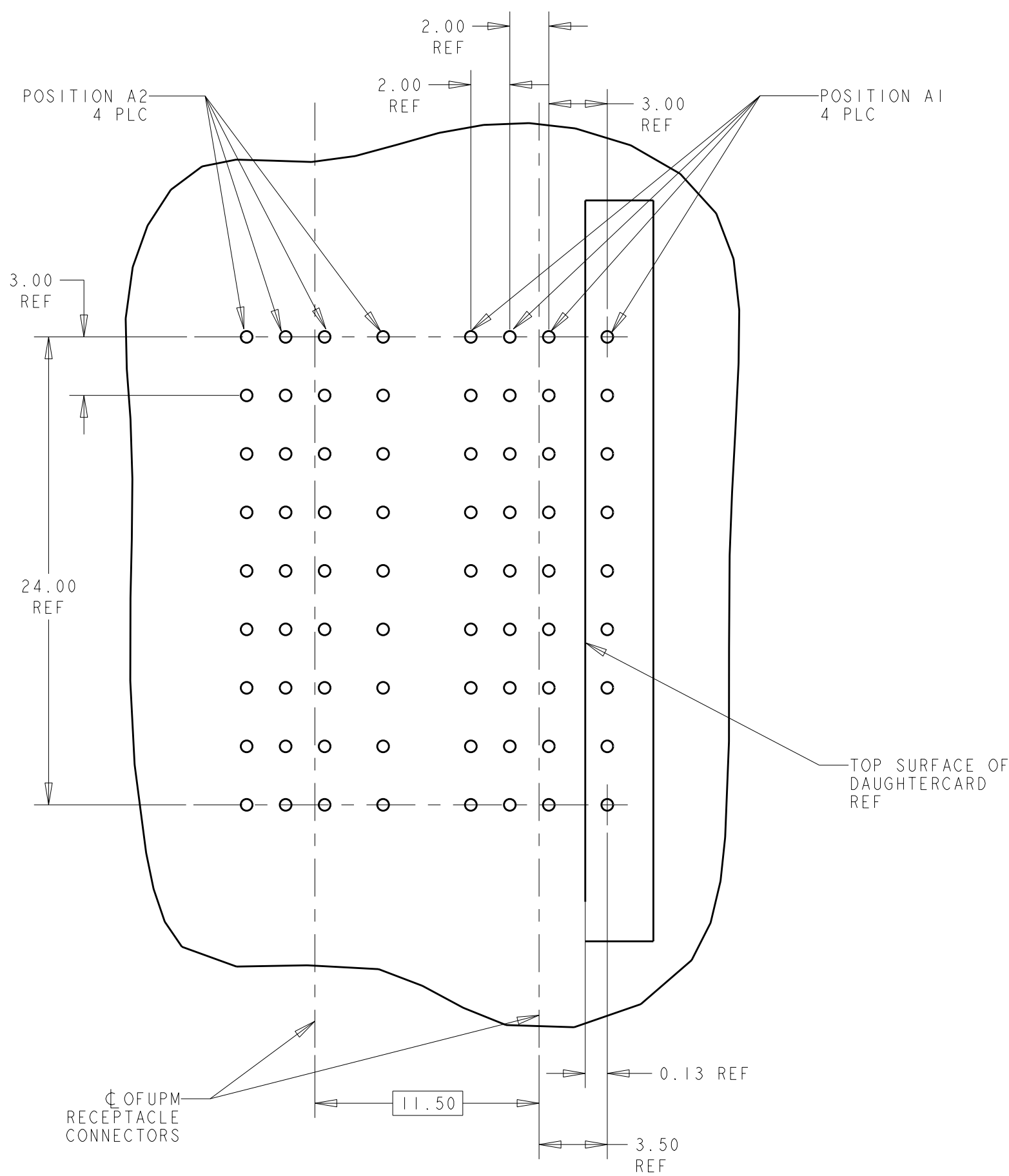


LOC	DIST	REVISIONS			
ES	00	REV	DATE	BY	APPD
		1	PROPOSAL DRAWING	24JUN2009	OL SY
		2	REVISED BASE NUMBER	03JULY2009	OL SY
		A	REV PER ECR-09-015886	15JULY2009	OL SY

MATING RECEPTACLE PCB LAYOUT 3



1 MATERIAL: HOUSING: POLYESTER. COLOR: BLACK, UL 94 V-0  
 CONTACT: COPPER ALLOY.

2 FINISH: CONTACT MATING AREA: 0.00076 mm MIN GOLD PLATE OVER 0.00127 mm MIN NICKEL, OR 0.0005 mm MIN GOLD OVER 0.00064 mm PALLADIUM-NICKEL OVER 0.00127 mm MIN NICKEL.  
 COMPLIANT TAIL AREA: 0.0005 mm MIN MATTE TIN PLATE OVER 0.00127 mm NICKEL UNDERPLATE.

3 TAILS OF MATING UPM STYLE RECEPTACLE ARE OFFSET BY .75 mm FROM TAILS OF THIS CONNECTOR. SEE CUSTOMER DRAWING 120992 FOR RECEPTACLE EXAMPLE. SEE APPLICATION SPEC 114-1103 FOR MORE DETAILED DESCRIPTION OF THE TAIL OFFSETS.

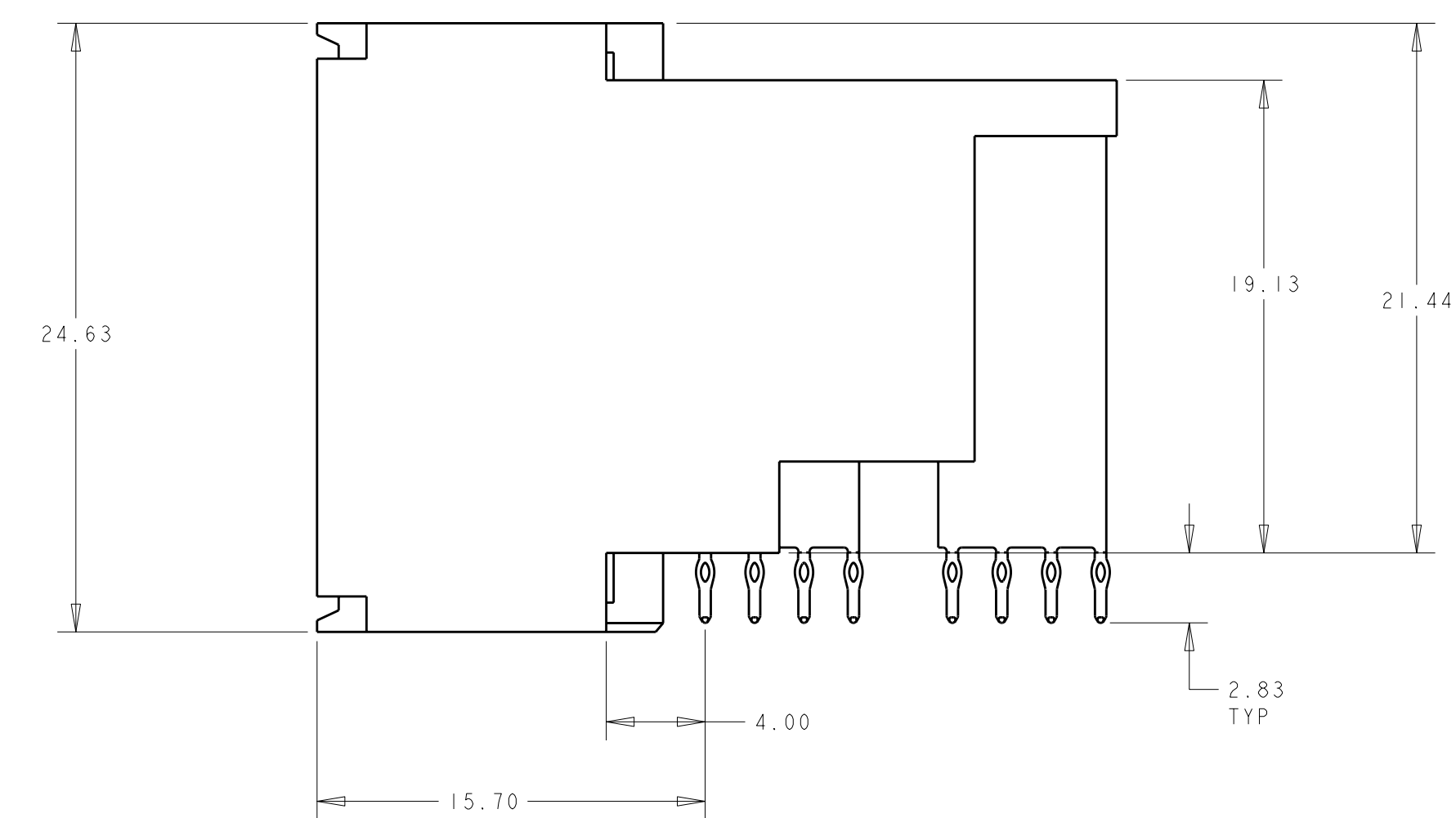
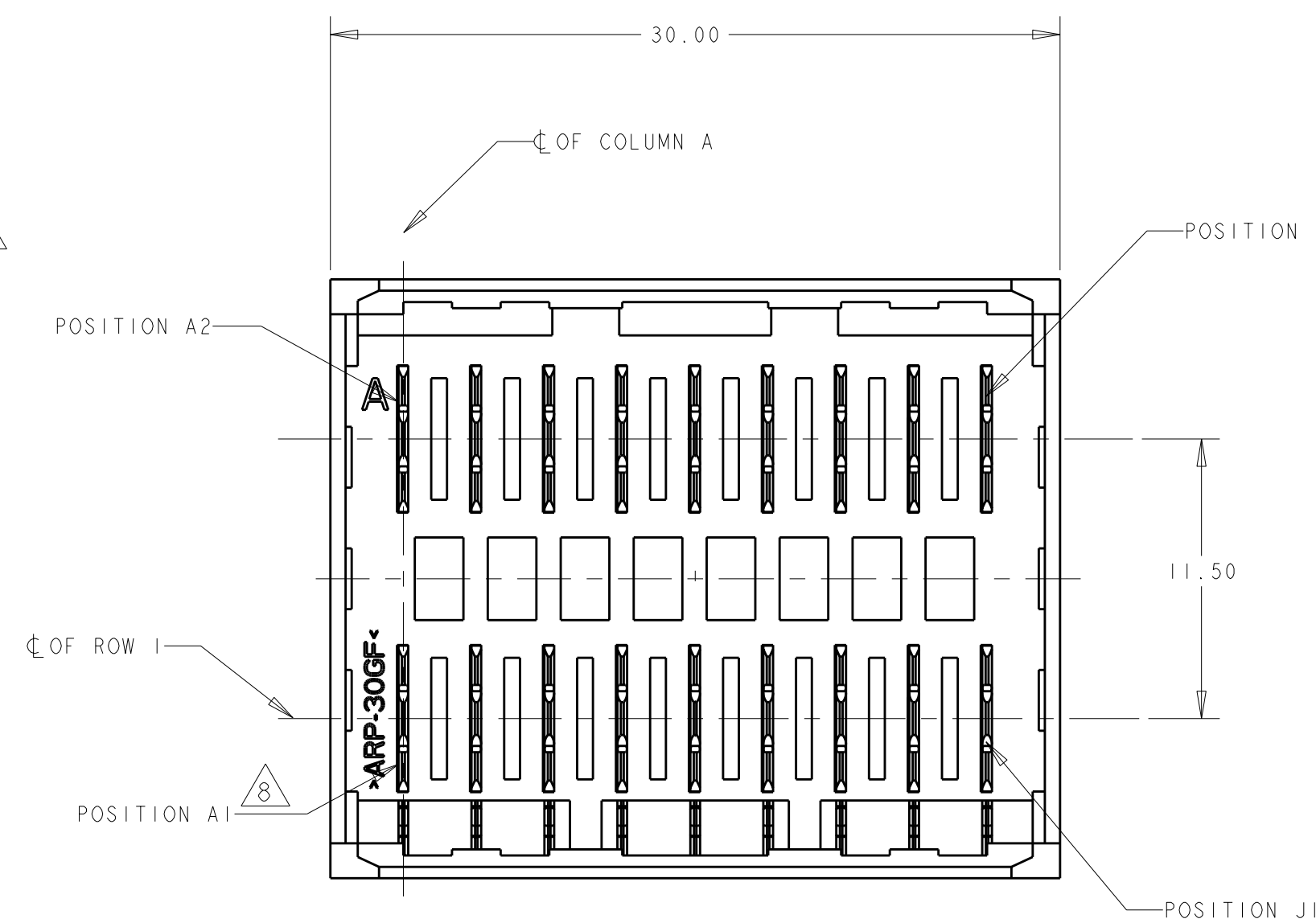
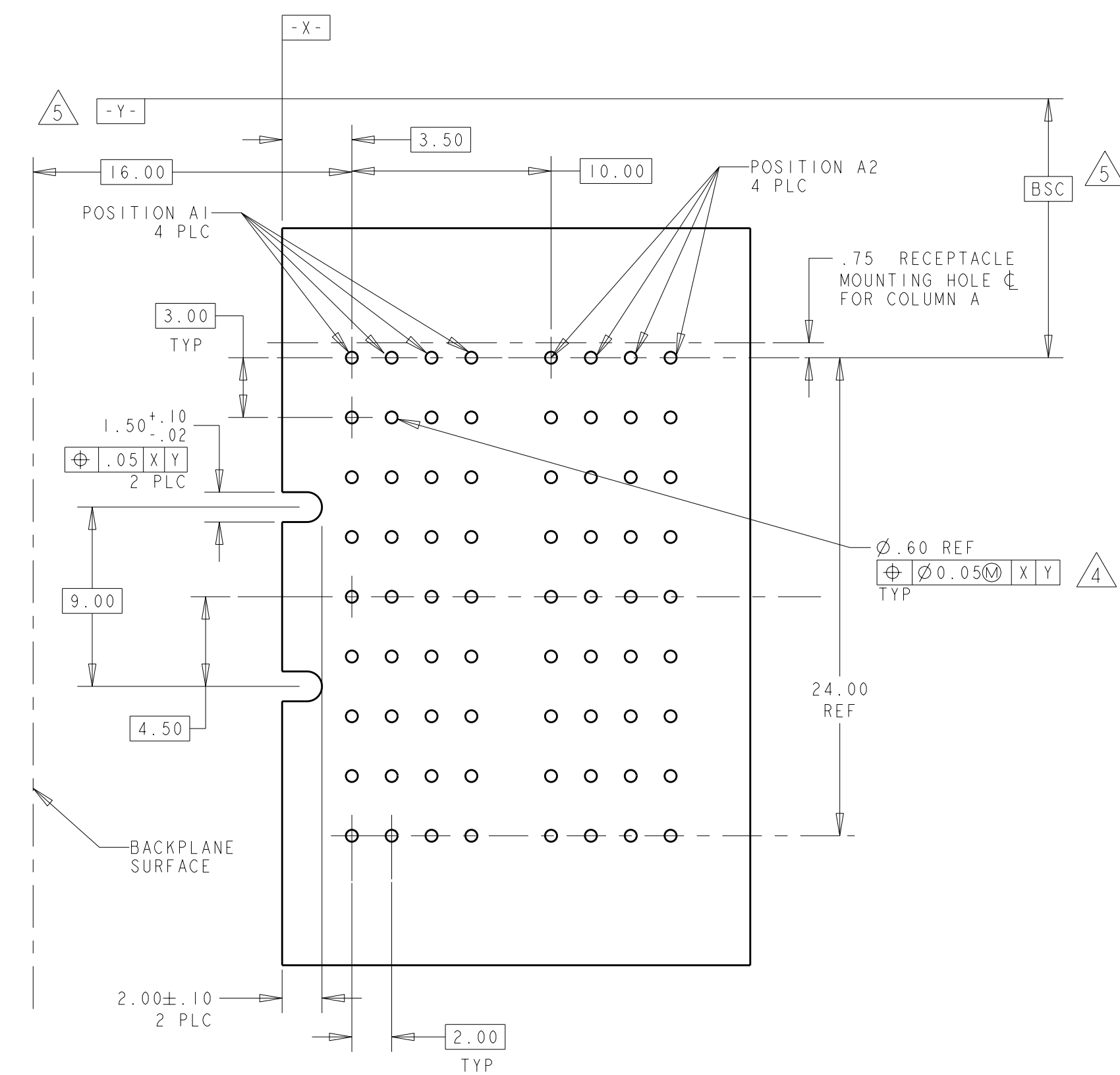
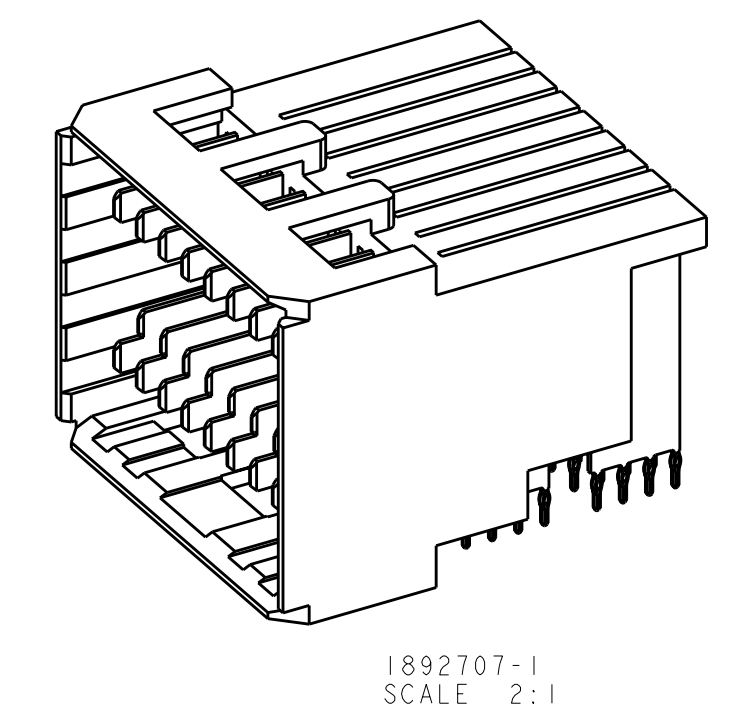
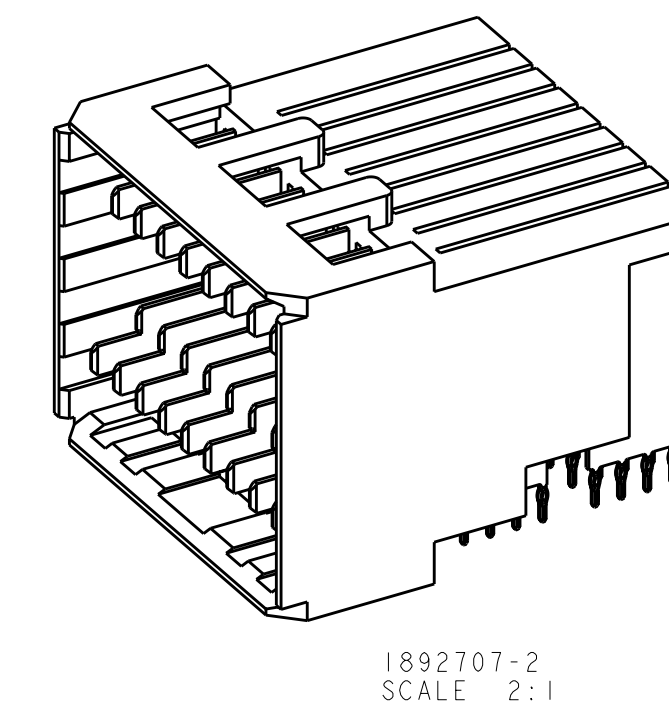
4 PC BOARD HOLE SPECIFICATIONS:  
 DRILLED HOLE SIZE: 0.700±0.02 mm  
 FINISHED HOLE SIZE: 0.60±0.05 mm  
 PLATING THICKNESS:  
 0.025 - 0.050 mm COPPER  
 0.004 - 0.010 mm HASL TIN  
 0.0005 mm MIN IMMERSION TIN  
 0.0002 - 0.0005 mm OSP  
 0.0001mm MIN IMMERSION SILVER  
 0.0001-0.0005 mm IMMERSION GOLD OVER 0.004-0.005 mm NICKEL

5 DATUM AND BASIC DIMENSIONS ESTABLISHED BY CUSTOMER.

6 MINIMUM REQUIRED PC BOARD THICKNESS IS 1.44mm.

7. CONTACT AREA LUBRICATED WITH BELLCORE APPROVED LUBRICANT. TECHNICAL REFERENCE GR-12178- CORE, ISSUE 1 NOVEMBER 1995.

8 POSITION A1 IS AT MATERIAL ID.



RECOMMENDED PCB LAYOUT 6

A1, B1, C1, D1, E1, F1, G1, H1, J1	A2, B2, C2, D2, E2, F2, G2, H2, J2	1892717-2
-	ALL	1892717-1
LONG PIN LOCATION	SHORT PIN LOCATION	PART NO

DIMENSIONS:		TOLERANCES UNLESS OTHERWISE SPECIFIED:		MATERIAL:		FINISH:	
mm	9 PLC	±.25	±1°	1	2		
	1 PLC	±.25					
	5 PLC	±.25					
	4 PLC	±.25					
	ANGLES						

DWN	ORLANDO LI	24JUN2009	NAME	ASSEMBLY, RIGHT ANGLE HEADER
CHK	SUNY ZHAO	24JUN2009	PRODUCT SPEC	MINIPAK HDE
APPD	STEVEN YAO	24JUN2009	APPLICATION SPEC	2X9 POSITION
SIZE	CAGE CODE	DRAWING NO	RESTRICTED TO	
A	100779	C=1892717		
CUSTOMER DRAWING		SCALE	5:1	SHEET 1 OF 1