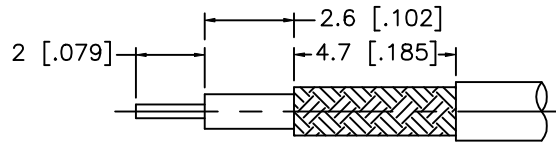
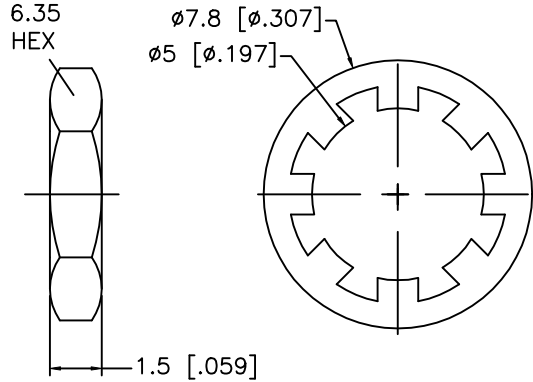


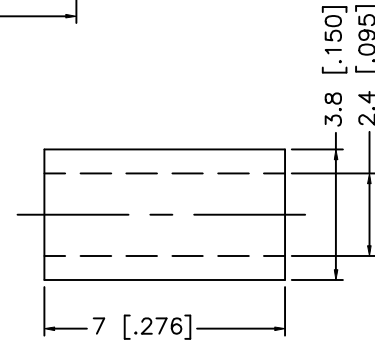
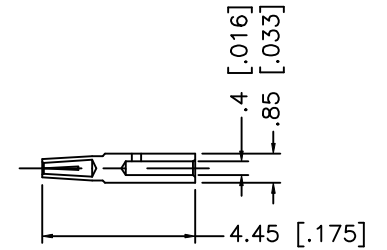
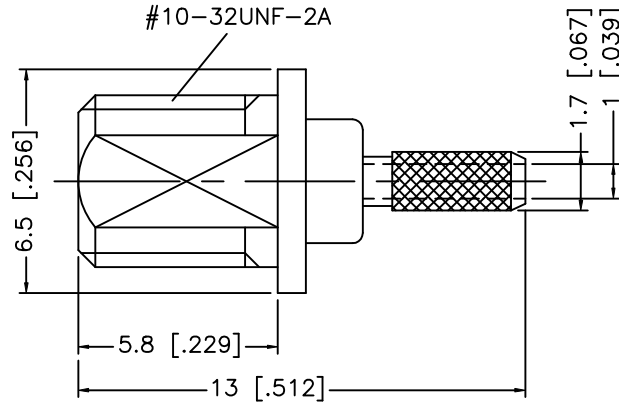
| REV. | DATE | DESCRIPTION |
|------|----------|-----------------------|
| A | 01/12/02 | MODIFY FERRULE LENGTH |



RECOMMENDED CABLE STRIPPING DIM'S.



RECOMMENDED MOUNTING HOLE



| DESCRIPTION | MATERIAL | FINISH | UNLESS OTHERWISE SPECIFIED DIMENSIONS ARE IN MILLIMETERS | APPROVALS | DATE | <h1 style="text-align: center;">Amphenol-Connex</h1> <h2 style="text-align: center;">CONNECTOR CORPORATION</h2> | | | | | | | | |
|-------------|-------------|-------------|--|--|--------|---|---|--|--|----------|--|--|--|--|
| 1 | BODY | BRASS | GOLD | DRAWN | G.R.S. | | | | | 01/12/02 | TITLE MMCX BULKHEAD CRIMP JACK (FOR RG-178B/u, 196A/u CABLE) | | | |
| 2 | INSULATOR | TEFLON | NATURAL | CHECKED | | | SIZE FSCM NO. DWG. NO. REV. A 99001 262120.DWG A | | | | | | | |
| 3 | BARREL | BRASS | GOLD | ISSUED | | | | | | | | | | |
| 4 | CONTACT PIN | BER. COPPER | GOLD | UNLESS OTHERWISE SPECIFIED DIMENSIONS ARE IN INCHES FOR CUSTOMER REFERENCE ONLY UNLESS OTHERWISE SPECIFIED TOLERANCES FOR INCHES ARE: .XXX = ± 0.005" .XX = ± 0.010" .X = ± 0.020" | | | | | | | | | | |
| 5 | FERRULE | COPPER | GOLD | | | | | | | | | | | |
| 6 | | | | | | | | | | | | | | |
| 7 | | | | | | | | | | | | | | |
| 8 | | | | DO NOT SCALE DRAWING | | | | | | | | | | |