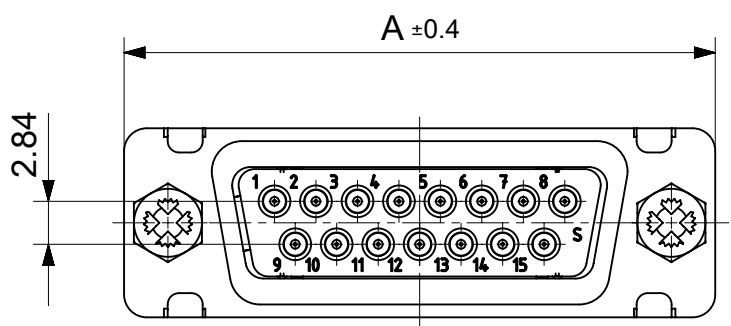
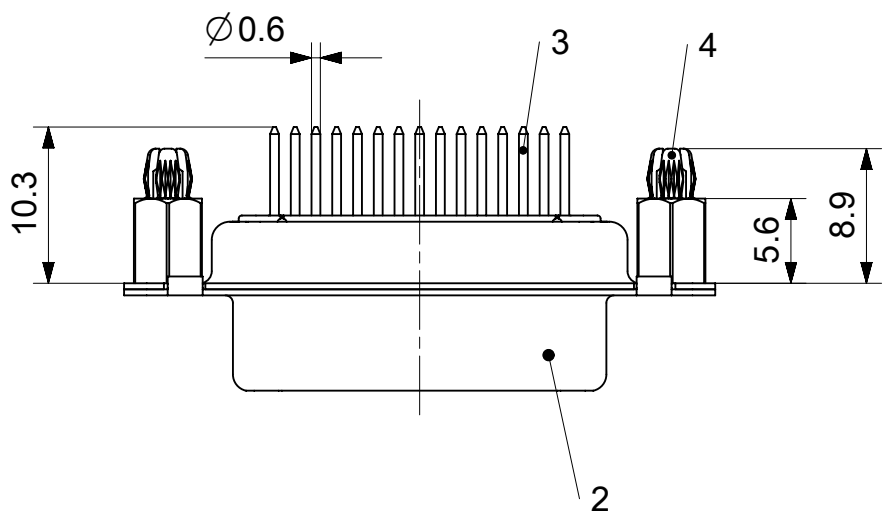
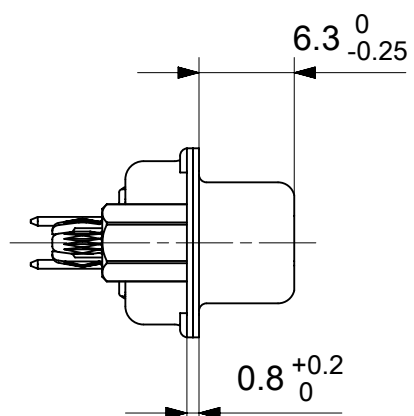
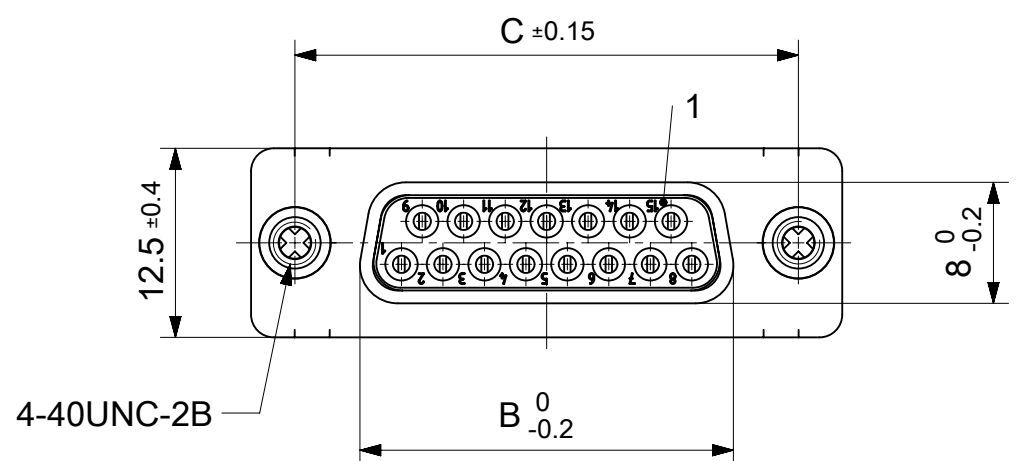


RoHS compliant
by exemption



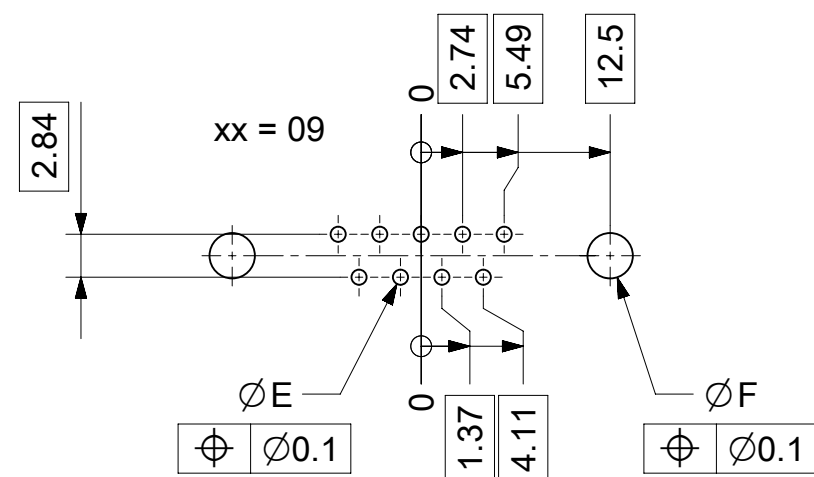
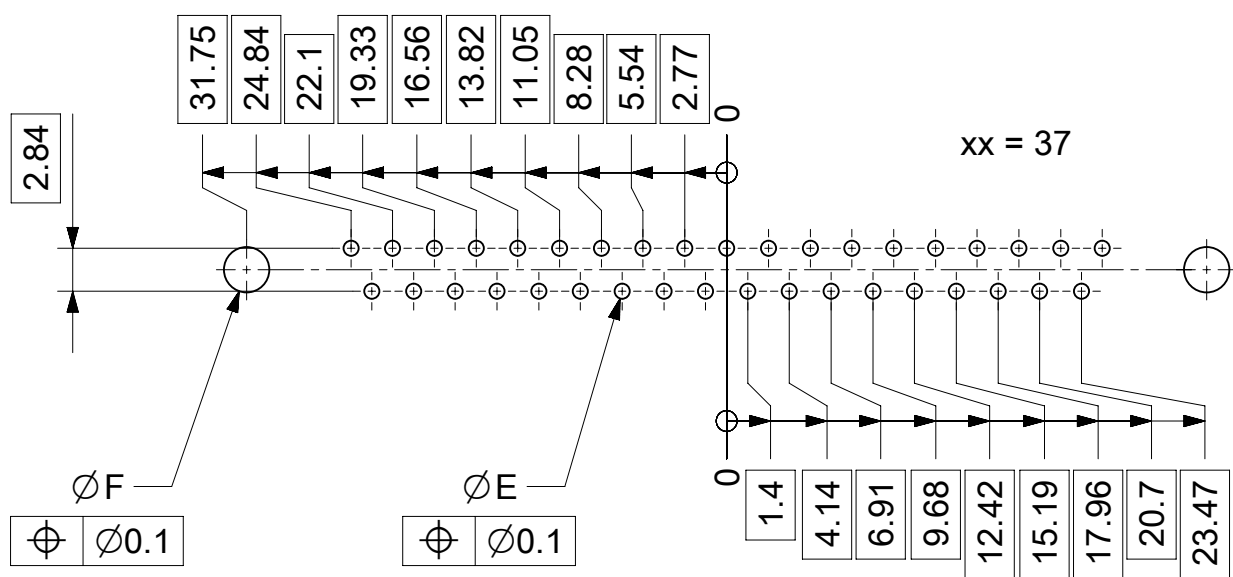
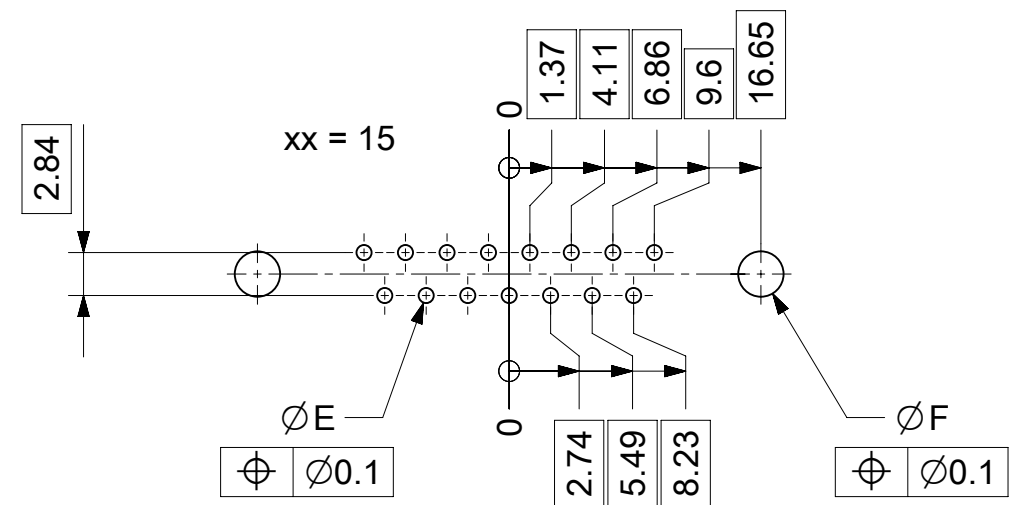
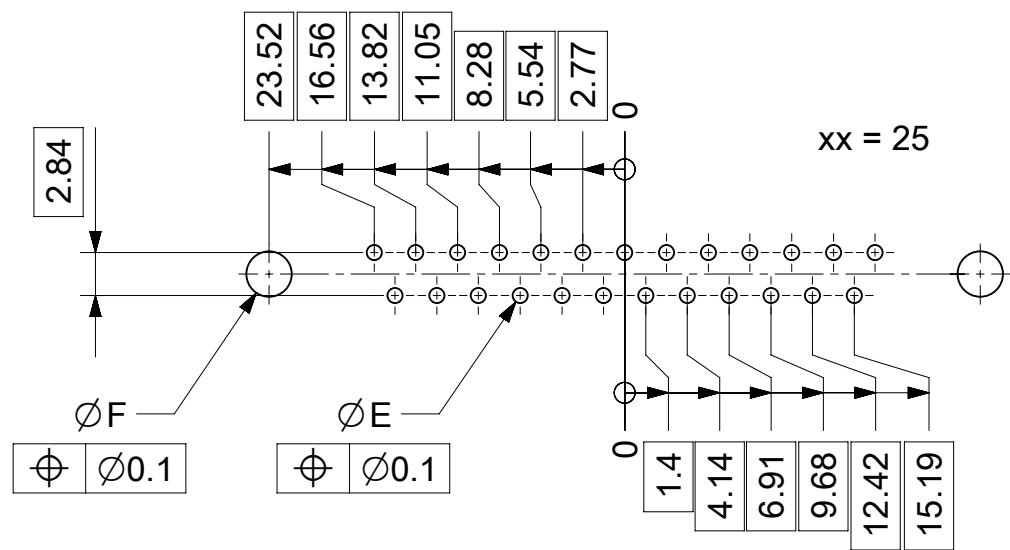
FCT Part number:
Fxx*1)S1G1A-0981
e.g. F15S1G1A-0981
*1) xx No. of contacts 09, 15, 25 or 37

Material Number	xx*1)	A[mm]	B[mm]	C[mm]	*E[mm]	*F[mm]
1731091892	09	30.8	16.4	25	Ø1	Ø3
1731091894	15	39.1	24.7	33.3		
1731091926	25	53	38.5	47.04		
1731091908	37	69.3	54.9	63.5		

*PCB hole patterns ØE, ØF see document 2195600023

No.	Pc.	Part	Type Description/Material	Surface plating/Color/Class
4	2	Snap-in bolt	PCB 1.6mm / Brass	tin plated
3	xx	Signal contact	S1 / Brass	Auropur
2	1	Shell	Steel	tin plated
1	1	Insulator	PBT (-55°C to +125°C) acc. UL94V-0	white

MEASUREMENTS WITHOUT TOLERANCE ACC TO ISO 2768-m				REPLACEMENT FOR DOCUMENT NUMBER: FxxS1Gy-0981														
FUNCTIONAL SYMBOLS		THIS DRAWING CONTAINS INFORMATION THAT IS PROPRIETARY TO MOLEX ELECTRONIC TECHNOLOGIES, LLC AND SHOULD NOT BE USED WITHOUT WRITTEN PERMISSION		<div style="text-align: center; font-size: 24px; font-weight: bold;">molex</div> <p>FCT D-SUB MINIATURE CONNECTOR</p> <p>PRODUCT CUSTOMER DRAWING</p>														
<table border="1"> <tr> <th>DIMENSION UNITS</th> <th>SCALE</th> </tr> <tr> <td>mm</td> <td>2:1</td> </tr> </table>		DIMENSION UNITS	SCALE					mm	2:1	CURRENT REV DESC:		<table border="1"> <tr> <td>EC NO:</td> <td>707726</td> </tr> <tr> <td>DRWN:</td> <td>GOOLAM</td> </tr> <tr> <td>CHK'D:</td> <td>MTEUBEL</td> </tr> <tr> <td>APPR:</td> <td>MTEUBEL</td> </tr> </table>		EC NO:	707726	DRWN:	GOOLAM	CHK'D:
DIMENSION UNITS	SCALE																	
mm	2:1																	
EC NO:	707726																	
DRWN:	GOOLAM																	
CHK'D:	MTEUBEL																	
APPR:	MTEUBEL																	
<table border="1"> <tr> <th>GENERAL TOLERANCES (UNLESS SPECIFIED)</th> </tr> <tr> <td>ANGULAR TOL ± °</td> </tr> <tr> <td>4 PLACES ±</td> </tr> <tr> <td>3 PLACES ±</td> </tr> <tr> <td>2 PLACES ±</td> </tr> <tr> <td>1 PLACE ±</td> </tr> <tr> <td>0 PLACES ±</td> </tr> </table>		GENERAL TOLERANCES (UNLESS SPECIFIED)	ANGULAR TOL ± °	4 PLACES ±	3 PLACES ±	2 PLACES ±	1 PLACE ±	0 PLACES ±	INITIAL REVISION:		<table border="1"> <tr> <td>DRWN:</td> <td>GOOLAM</td> <td>2021/12/03</td> </tr> <tr> <td>APPR:</td> <td>MTEUBEL</td> <td>2022/05/25</td> </tr> </table>		DRWN:	GOOLAM	2021/12/03	APPR:	MTEUBEL	2022/05/25
GENERAL TOLERANCES (UNLESS SPECIFIED)																		
ANGULAR TOL ± °																		
4 PLACES ±																		
3 PLACES ±																		
2 PLACES ±																		
1 PLACE ±																		
0 PLACES ±																		
DRWN:	GOOLAM	2021/12/03																
APPR:	MTEUBEL	2022/05/25																
DIVISIONAL SYMBOLS		DRAFT WHERE APPLICABLE MUST REMAIN WITHIN DIMENSIONS		FIRST ANGLE PROJECTION		DRAWING												
				A3-SIZE		SERIES												
				173109		MATERIAL NUMBER												
				SEE TABLE		CUSTOMER												
				GENERAL MARKET		DOCUMENT NUMBER												
						1731091892												
						DOC TYPE												
						PSD												
						DOC PART												
						000												
						REVISION												
						A												
						SHEET NUMBER												
						1 OF 1												



ØE, ØF see data sheet incl. connector
 ØF connectors with accessories only

MEASUREMENTS WITHOUT TOLERANCE ACC TO ISO 2768-m			REPLACEMENT FOR DOCUMENT NUMBER: AM0023			
THIS DRAWING CONTAINS INFORMATION THAT IS PROPRIETARY TO MOLEX ELECTRONIC TECHNOLOGIES, LLC AND SHOULD NOT BE USED WITHOUT WRITTEN PERMISSION						
FUNCTIONAL SYMBOLS	DIMENSION UNITS	SCALE	CURRENT REV DESC:			
$\nabla_A = 0$	mm	2:1	EC NO: 713905			
$\nabla_E = 0$	GENERAL TOLERANCES (UNLESS SPECIFIED)		DRWN: SKANDB 2022/05/16			
$\nabla_P = 0$	ANGULAR TOL ± °		CHK'D: MTEUBEL 2022/07/12			
DIVISIONAL SYMBOLS	4 PLACES	±	APPR: MTEUBEL 2022/07/12			
	3 PLACES	±	INITIAL REVISION:			
	2 PLACES	±	DRWN: SKANDB 2022/05/16			
	1 PLACE	±	APPR: MTEUBEL 2022/07/12			
	0 PLACES	±	DOCUMENT NUMBER			
DRAFT WHERE APPLICABLE MUST REMAIN WITHIN DIMENSIONS		FIRST ANGLE PROJECTION	DRAWING	SERIES	MATERIAL NUMBER	CUSTOMER
			A3-SIZE	219560	219560	GENERAL MARKET
			DOC TYPE	DOC PART	REVISION	