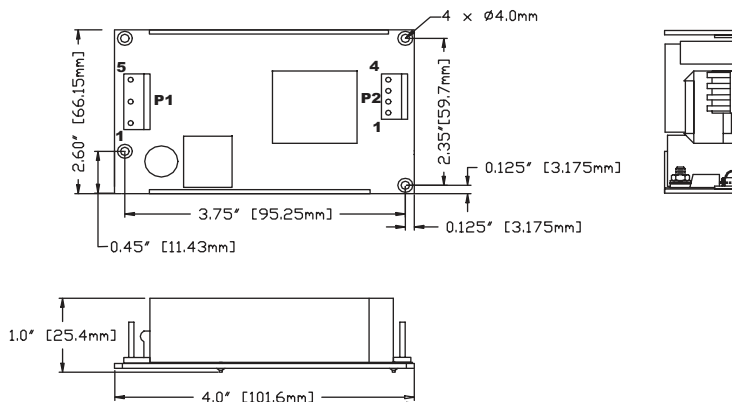


MSM28 series

28 Watt Medical Grade Power Supply



Features

- Wide range AC input
- Fully regulated output
- High efficiency
- Medical grade approval
- 5 year warranty

Environmental

- Operating temperature..... 0° C to 50° C
- Storage temperature..... -55° C to 85° C
- Weight = 0.30 lbs

EMI/EMC

- Meets FCC class B, CISPR 11 class B
- EMC per EN60601-1-2

Safety

- UR/cUR UL2601-1
- CE Marked EN60601-1-2:2001

Polarity	1	2	3	4	5
Input CN1	Earth Gnd	-	AC Neutral	-	AC Line
Output CN2	Com	Com	+V1	+V1	-

Input and Output Connections

- Input connector (P1) = AMP p/n 640445-5
- Input mating connector = AMP p/n 640250-5
- Output connector (P2) = AMP p/n 640445-4
- Output mating connector = AMP p/n 640250-4
- Mating connector contacts = AMP p/n 770476-1

Electrical Specifications

Input

- Voltage..... 100 - 240 VAC
- Current..... 0.55 Amp @ 100 VAC
- Frequency..... 50 - 60 Hz
- Max. Earth leakage current:

Test Voltage	Normal	Single-fault
132 VAC 60 Hz	25 uA	45 uA
264 VAC 50 Hz	50 uA	90 uA

Output

- Line regulation..... TYP +/- 0.5%
- Load regulation..... TYP +/- 2%
- Hold up time..... 15 ms min at full load, 115 VAC
- Transient response..... 2 ms for 50% to 100% load change
- Over voltage protection..... Built-in
- Over current protection..... Built-in
- Short circuit protection..... Pulsing mode, auto recovery
- Efficiency..... 80% min at full load and 115 VAC
- Ripple/noise (V_{p-p})..... 1% (20 MHz bandwidth)

Model No.	Voltage	Power	Current
MSM2812	12V	28W	2.3A
MSM2815	15V	28W	1.9A
MSM2824	24V	28W	1.2A