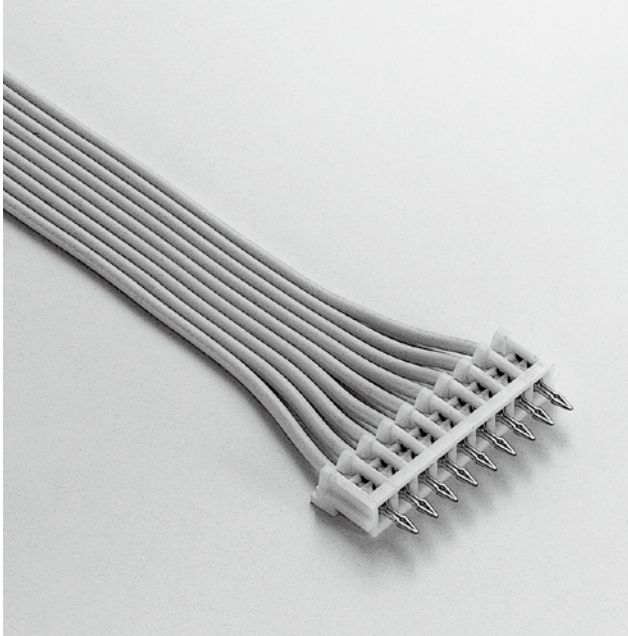


JST  
IDC

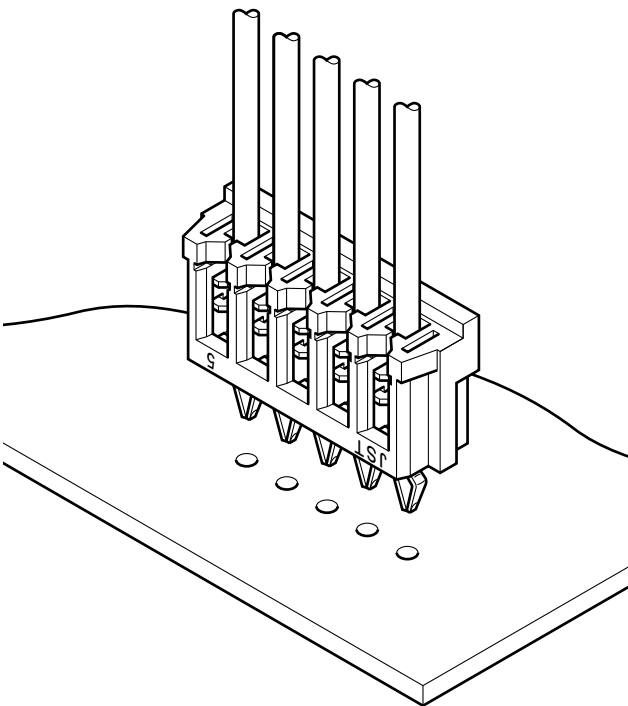
2.5mm  
pitch

# DB CONNECTOR

Board-in Insulation displacement connectors



This is a 2.5mm pitch insulation displacement connector that is soldered directly onto printed circuit boards, with a mounting height of 7.1mm and with a width of 4.1mm. The DB connectors can be used by themselves or in combination with NR or HR connectors.



## Features

### ● Compact and low profile

This is a low profile connector with a mounting height of 7.1mm and a width of 4.1mm.

### ● Twin U-slot insulation displacement section

The insulation displacement section connected to the wire consists of two tin-plated slots (twin U-slot) for superb reliability.

### ● Locking solder tail

The contact's compliant solder tail has two locking positions, both of which ensure stable connection once inserted into a printed circuit board. This makes insertion into printed circuit boards easy and reliable.

### ● Strain relief

The strain relief feature prevents stress due to vibration, impact or bending from effecting the insulation displacement connection. This is accomplished by holding the outside of the wire with the insulation gripping device on the housing. To ensure circuit integrity against vibration and undue tension, ample clearance is provided between the insulation displacement connection and the strain relief.

### ● Interchangeability

The DB connector has the same board layout and hole size as crimp style SBN and SCN connectors.

## Standards

Ⓜ : Recognized E60389

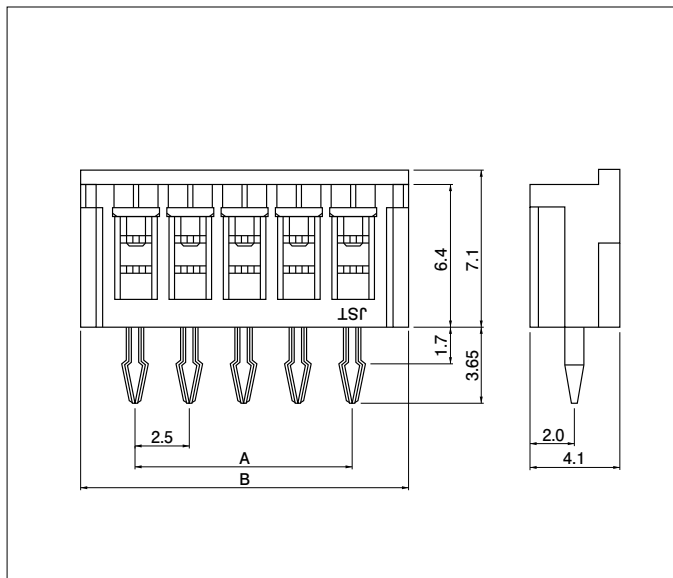
Ⓢ : Certified LR20812

## Specifications

- Current rating: 2 A AC/DC (AWG #24)
  - Voltage rating: 250 V AC/DC
  - Temperature range: -25°C to +85°C  
(including temperature rise in applying electrical current)
  - Insulation resistance: 1,000 MΩ min.
  - Withstanding voltage: 1,500 V AC/minute
  - Applicable wire: UL1007 (Contact JST for details regarding other UL wires.)  
AWG #28, #26, #24  
Conductor/7 strands, tin-coated  
Insulation O.D./1.0 to 1.5mm
  - Applicable PC board thickness: 1.6mm
- \* Compliant with RoHS.  
\* Refer to "General Instruction and Notice when using Terminals and Connectors" at the end of this catalog.  
\* Contact JST for details.

# DB CONNECTOR

## Connector



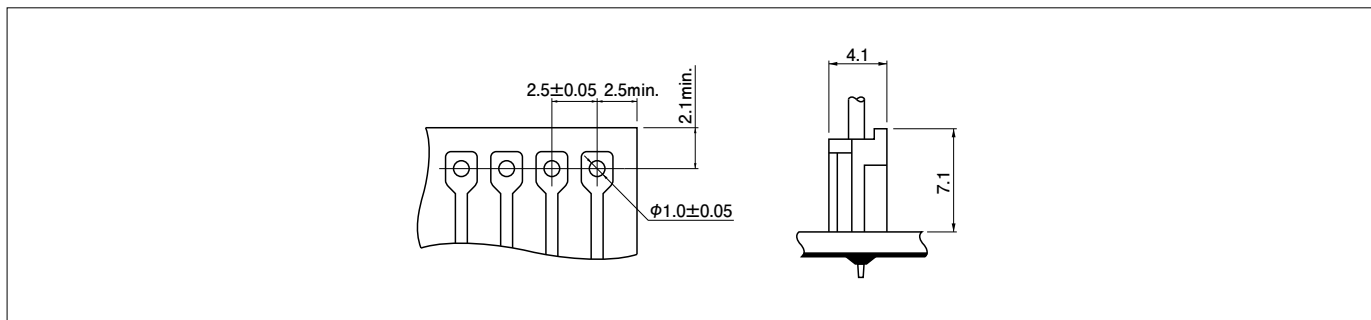
| No. of circuits | Model No.       |                         |                 | Dimensions (mm) |      | Q'ty / box |
|-----------------|-----------------|-------------------------|-----------------|-----------------|------|------------|
|                 | AWG #28 (green) | AWG #26 (natural/white) | AWG #24 (black) | A               | B    |            |
| 2               | 02DB-8M         | 02DB-6S                 | 02DB-4K         | 2.5             | 7.5  | 1,000      |
| 3               | 03DB-8M         | 03DB-6S                 | 03DB-4K         | 5.0             | 10.0 | 1,000      |
| 4               | 04DB-8M         | 04DB-6S                 | 04DB-4K         | 7.5             | 12.5 | 1,000      |
| 5               | 05DB-8M         | 05DB-6S                 | 05DB-4K         | 10.0            | 15.0 | 500        |
| 6               | 06DB-8M         | 06DB-6S                 | 06DB-4K         | 12.5            | 17.5 | 500        |
| 7               | 07DB-8M         | 07DB-6S                 | 07DB-4K         | 15.0            | 20.0 | 500        |
| 8               | 08DB-8M         | 08DB-6S                 | 08DB-4K         | 17.5            | 22.5 | 500        |
| 9               | 09DB-8M         | 09DB-6S                 | 09DB-4K         | 20.0            | 25.0 | 500        |
| 10              | 10DB-8M         | 10DB-6S                 | 10DB-4K         | 22.5            | 27.5 | 500        |
| 11              | 11DB-8M         | 11DB-6S                 | 11DB-4K         | 25.0            | 30.0 | 500        |
| 12              | 12DB-8M         | 12DB-6S                 | 12DB-4K         | 27.5            | 32.5 | 250        |
| 13              | 13DB-8M         | 13DB-6S                 | 13DB-4K         | 30.0            | 35.0 | 250        |

### Material and Finish

Contact: Phosphor bronze, nickel-undercoated, tin-plated  
Housing: PA 66, UL94V-0

RoHS compliance This product displays (LF) on a label.

## PC board layout (viewed from soldering side) and Assembly layout



### Note:

- Tolerances are non-cumulative:  $\pm 0.05\text{mm}$  for all centers.
- Hole dimensions differ according to the type of PC board and piercing method. The dimensions above should serve as a guideline. Contact JST for details.

\* Pulling or otherwise putting a strain on the harness attached to the connector before the solder has completely cooled can dislodge the connector or cause its misalignment.

\* Do not reuse connectors that were previously soldered to and then removed from a PC board.

## Model number allocation

