

- 1
- 2
- 3
- 4
- 5
- 6
- 7
- 8
- 9
- 10
- 11
- 12
- 13
- 14
- 15
- 16
- 17
- 18

METRIC

RoHS

PA

**MATERIAL**

Glass-fibre reinforced polyamide based (PA) technopolymer.

**COLOUR**

Black, matte finish.

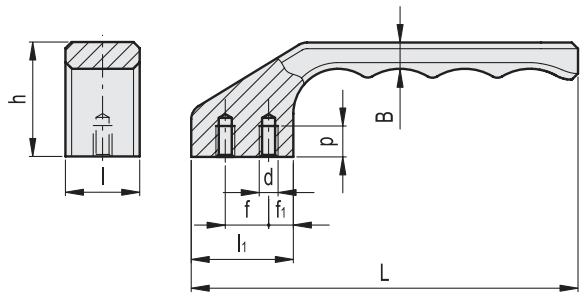
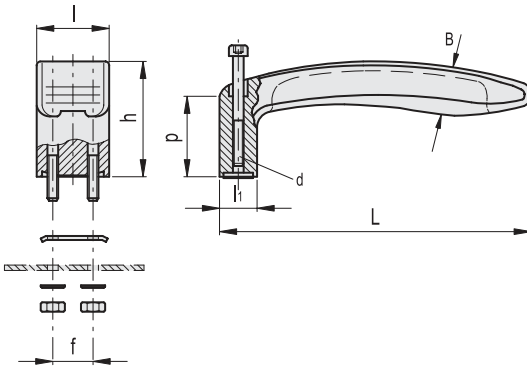
**STANDARD EXECUTION**

Pass-through holes for AISI 304 stainless steel screws with hexagon socket, nuts, washers and plate included in the supply.



**Conversion Table**  
1 mm = 0,039 inch

| L   |      |
|-----|------|
| mm  | inch |
| 125 | 4.92 |
| 128 | 5.04 |
| 154 | 6.06 |
| 165 | 6.50 |



METRIC

METRIC

| Code           | f  | L   | p  | d     | B  | h  | l  | l1 | ⚖   |
|----------------|----|-----|----|-------|----|----|----|----|-----|
| RHKW-30.017.84 | 17 | 128 | 33 | M5x45 | 20 | 48 | 30 | 18 | 107 |
| RHKW-36.020.84 | 20 | 154 | 40 | M6x55 | 24 | 58 | 36 | 22 | 186 |

**RHAH-11**

| Code            | f  | L   | d  | p  | fi | B    | h  | l  | l1 | ⚖   |
|-----------------|----|-----|----|----|----|------|----|----|----|-----|
| RHAH-14.R125.11 | 14 | 125 | M5 | 10 | 8  | 8.5  | 37 | 24 | 33 | 107 |
| RHAH-20.R165.11 | 20 | 165 | M8 | 16 | 10 | 11.5 | 47 | 30 | 44 | 224 |

**RHAH-14**

| Code            | f  | L   | d  | p  | fi | B    | h  | l  | l1 | ⚖   |
|-----------------|----|-----|----|----|----|------|----|----|----|-----|
| RHAH-14.R125.14 | 14 | 125 | M5 | 10 | 8  | 8.5  | 37 | 24 | 33 | 107 |
| RHAH-20.R165.14 | 20 | 165 | M8 | 16 | 10 | 11.5 | 47 | 30 | 44 | 224 |