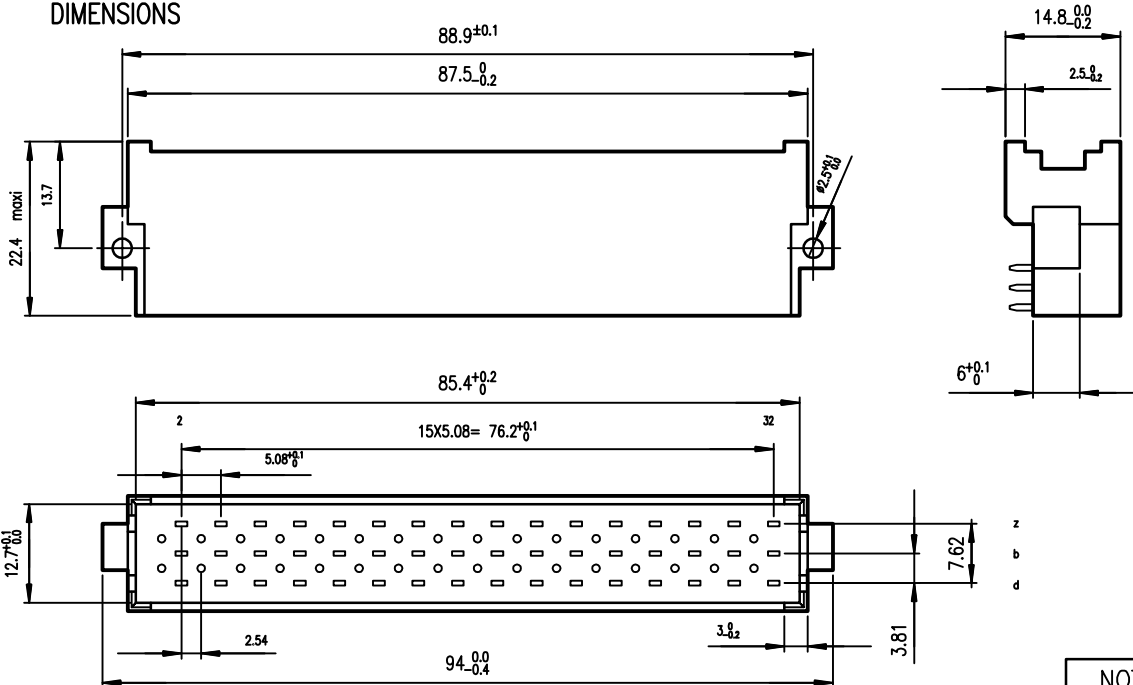


DIMENSIONS



ELECTRICAL DATA

- Current at AMB. 5.5 A at 20° / 4 A at 70°
- Contact resistance ≤15mΩ according to DIN 41640 Teil 4 test 2a
- Insulation resistance ≥ 10⁶ MΩ according to DIN 41640 teil 7 test 3a according to DIN 41640 teil 21
- TEST VOLTAGE contact/contact 1550 V
- contact/ground 2500 V

MECHANICAL DATA

- Insertion force ≤75N
- Mechanical endurance 400 matings unmatings according to DIN41640 teil 21
- Material insulator Polycarbonate UL94V1
- Material contacts Copper alloy
- Finishing contact surface Gold over nickel
- Finishing termination Lead-Free
- Schock ≤30mΩ according to DIN 41640 Teil 14 test 6c
- Vibration 10-500Hz/5g according to DIN 41640 Teil 15

ENVIRONMENTAL DATA

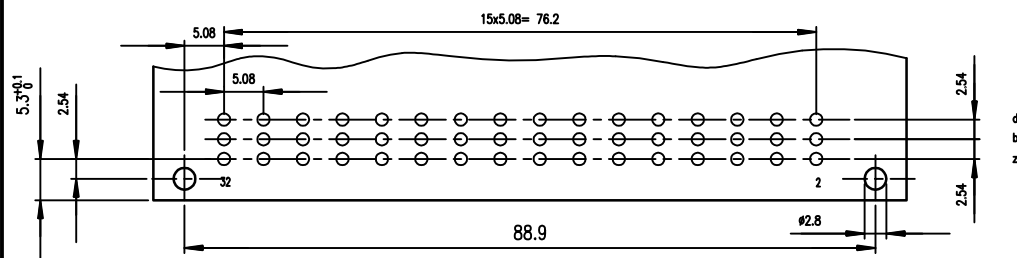
- Climatic category According to DIN 41612 - class 2
- Corrosion According to DIN 41612 - class 2

PERFORMANCES AS PER DIN 41612 STYLE F CLASS 2

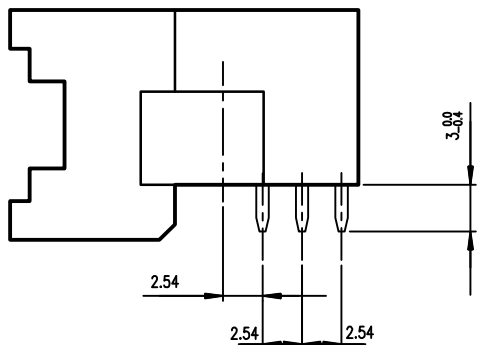
NOTE RoHS INFORMATION

- The "LF" products meet European Union Directives and other country regulations as described in GS-22-008.
- The housing will withstand exposure to 260°C peak temperature for 3.5 seconds in a wave solder application with a 1.6mm minimum thick circuit board.
- For the right angled versions, like the current leaded versions, it's recommended to use high temperature adhesive or metallic device, to protect the nearest plastic part in contact with of the solder wave, to avoid any visual plastic deterioration.

P.C. CARD DRILLING



TERMINATION



LEAD-FREE PART-NUMBER
5159009486354111LF

European Views

www.fciconnect.com		surface ISO 1302 ✓	tolerance std ISO 406 ISO 1101	projection	mm
		TOLERANCES UNLESS OTHERWISE SPECIFIED		size A3	Scale 1.5
Dr	ETIEMBRE	1993/12/22	ANGULAR	0.X ±0.1	ECN F12-0053
Eng	GOISNARD	1993/12/22	LINEAR	0.XX ±0.1	
Chr	LEGARE	1993/12/22	0.XX ±2	0.XXX ±0.1	
Appr	LEGARE	1993/12/22	Product family	DIN	Spec ref -
FCI		title MALE CONNECTOR 3 ROWS		dwg no	Rev.
		48 CONTACTS, STYLE F		C01-5159-0005	G
		catalog no	CUSTOMER		sheet 1 of 1

