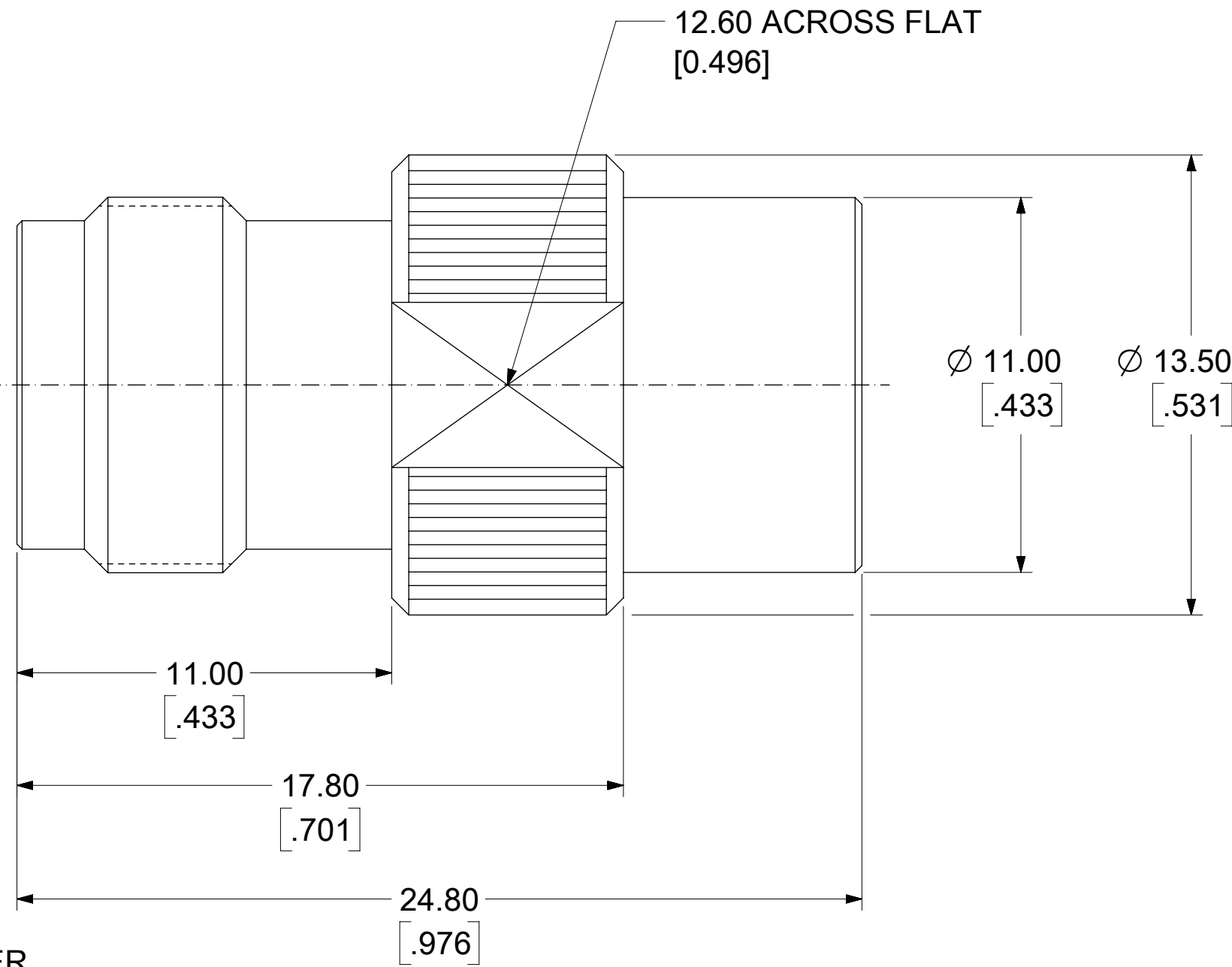


CONNECTOR INTERFACE  
PER MOLEX STANDARD  
ES-73599-0000



CABLE ATTACHMENT:  
CENTER CONTACT -----SOLDER  
OUTER CONDUCTOR ---MECHANICAL CLAMP  
ASSEMBLY INSTRUCTION --- AS-73596-0033

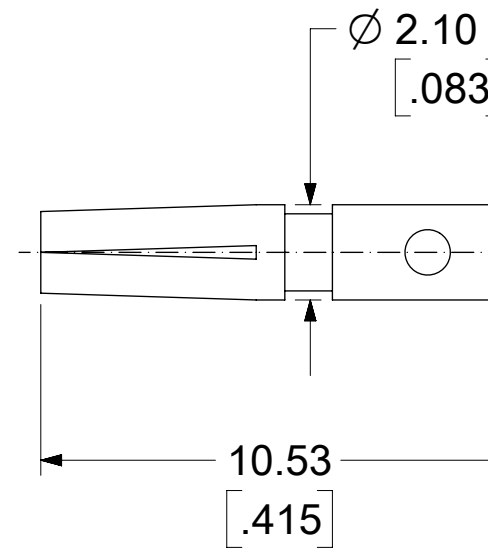
CONSTRUCTION:  
CONNECTOR BODY -----BRASS  
DIELECTRIC -----TEFLON  
CENTER CONTACT -----PHOSPHOR BRONZE  
RETAINING RING -----BRASS  
CLAMP NUT -----BRASS  
WASHER -----STEEL  
GASKET-----SILICON RUBBER  
SLEEVE -----BRASS

FINISH:  
CONNECTOR BODY -----NICKEL PLATING  
CENTER CONTACT-----GOLD PLATING  
RETAINING RING-----NICKEL PLATING  
CLAMP NUT -----NICKEL PLATING  
WASHER -----NICKEL PLATING  
SLEEVE-----NICKEL PLATING

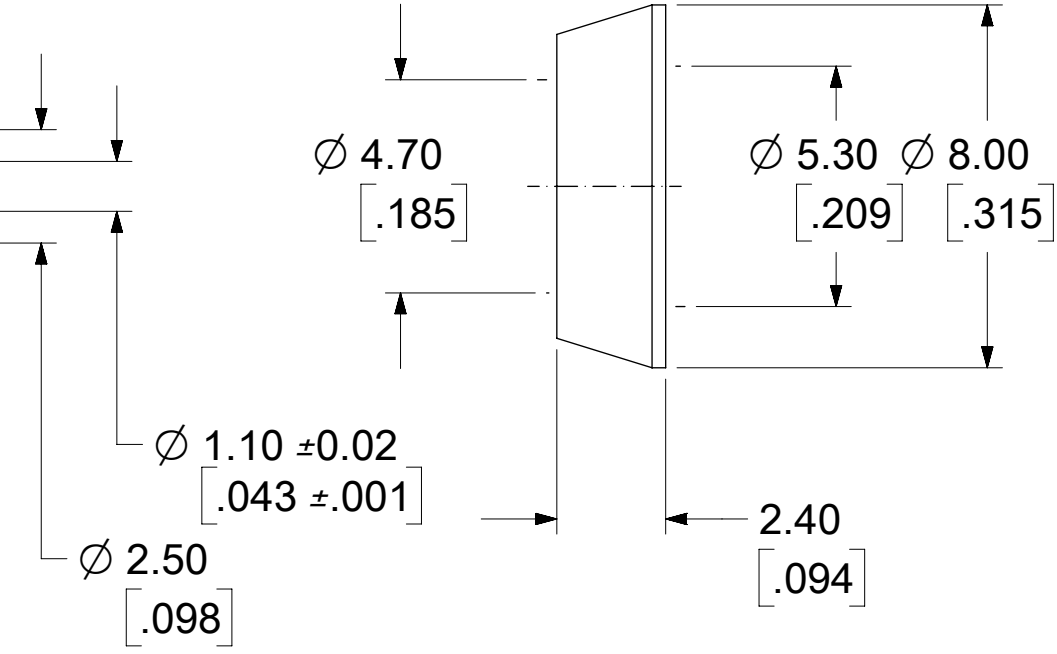
MECHANICAL & ELECTRICAL CHARACTERISTICS:  
PER PRODUCT SPECIFICATION PS-73598-0069

MATERIAL & FINISHES CHARACTERISTICS:  
PER PRODUCT SPECIFICATION PS-73598-0069

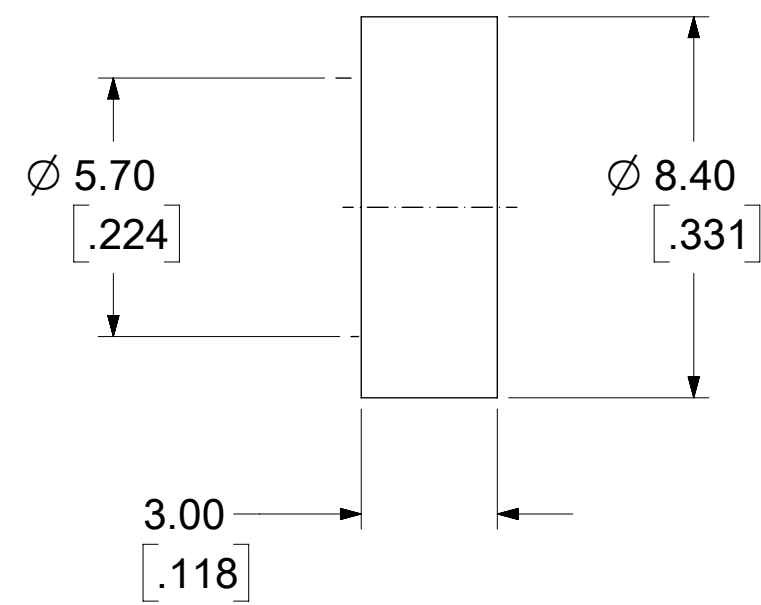
PACKAGING: INDIVIDUAL PACKAGING WITH PLASTIC BAGS



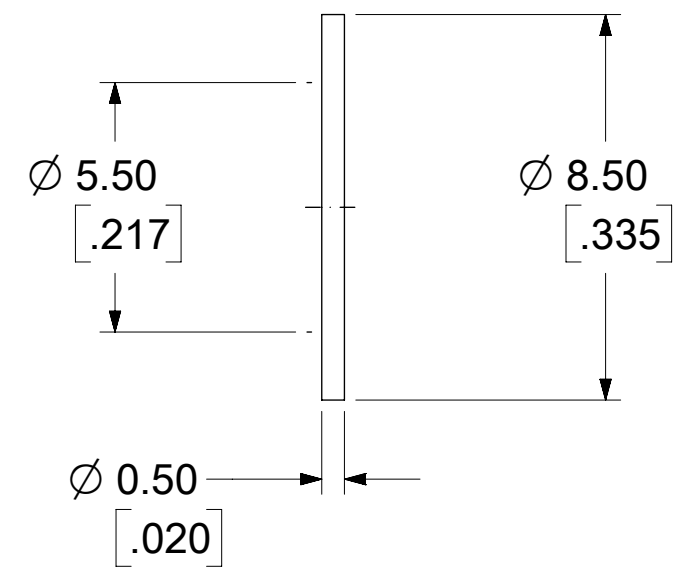
CENTER CONTACT



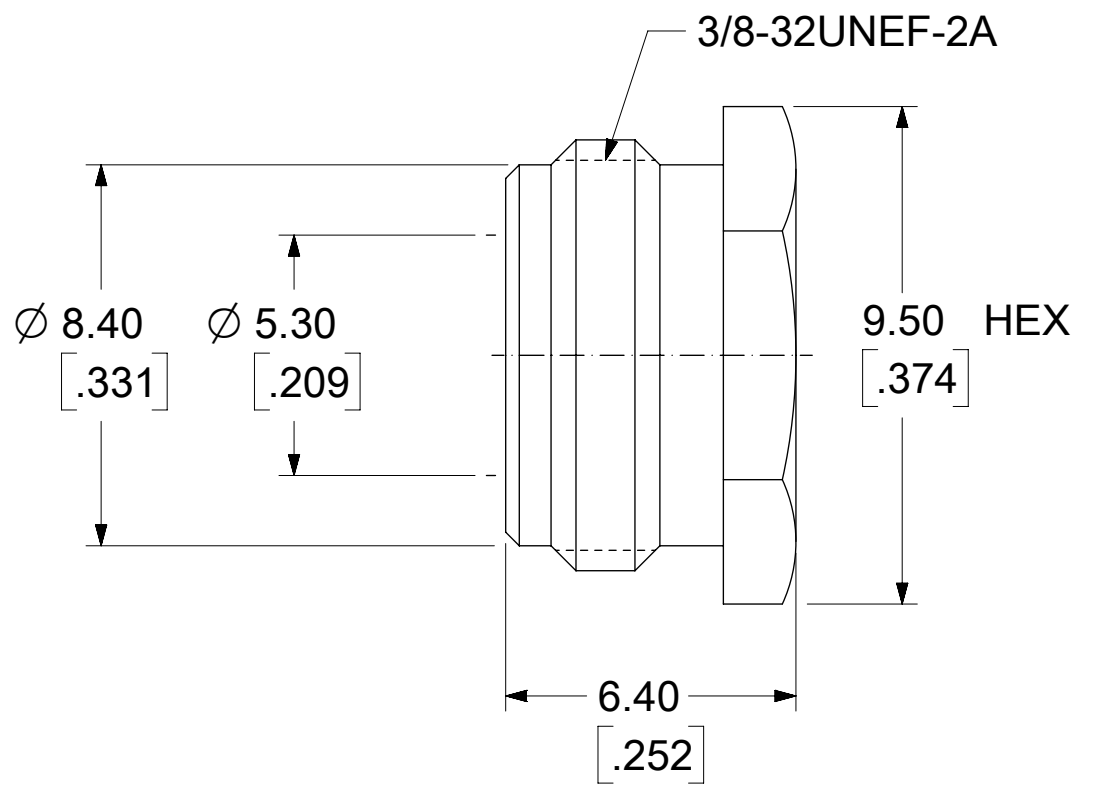
SLEEVE



GASKET



WASHER



CLAMP NUT

FUNCTIONAL SYMBOLS	THIS DRAWING CONTAINS INFORMATION THAT IS PROPRIETARY TO MOLEX ELECTRONIC TECHNOLOGIES, LLC AND SHOULD NOT BE USED WITHOUT WRITTEN PERMISSION										
	DIMENSION UNITS	SCALE	CURRENT REV DESC: EWR-14116-A REMOVE "MX" MARK							<b>molex</b>	
	mm	1:1									
	GENERAL TOLERANCES (UNLESS SPECIFIED)			EC NO: 647660							50 OHMS TNC STR JACK RG58C, 141A, 303/U CLAMP/SOLDER
DIVISIONAL SYMBOLS	ANGULAR TOL ± 3.0°		DRWN: JSU18 2020/10/23							PRODUCT CUSTOMER DRAWING	
	4 PLACES ±		CHK'D: YCHENG 2020/10/26							DOCUMENT NUMBER	
	3 PLACES ±		APPR: YCHENG 2020/10/26							731000051	
	2 PLACES ± 0.25		INITIAL REVISION:							DOC TYPE   DOC PART   REVISION	
1 PLACE ±		DRWN: JSU18 2020/10/23							PSD 000 A1		
0 PLACES ±		APPR: YCHENG 2020/10/26							SHEET NUMBER		
DRAFT WHERE APPLICABLE MUST REMAIN WITHIN DIMENSIONS			THIRD ANGLE PROJECTION	DRAWING	SERIES	MATERIAL NUMBER	CUSTOMER	SHEET NUMBER			
				C-SIZE	73100		GENERAL MARKET	1 OF 1			