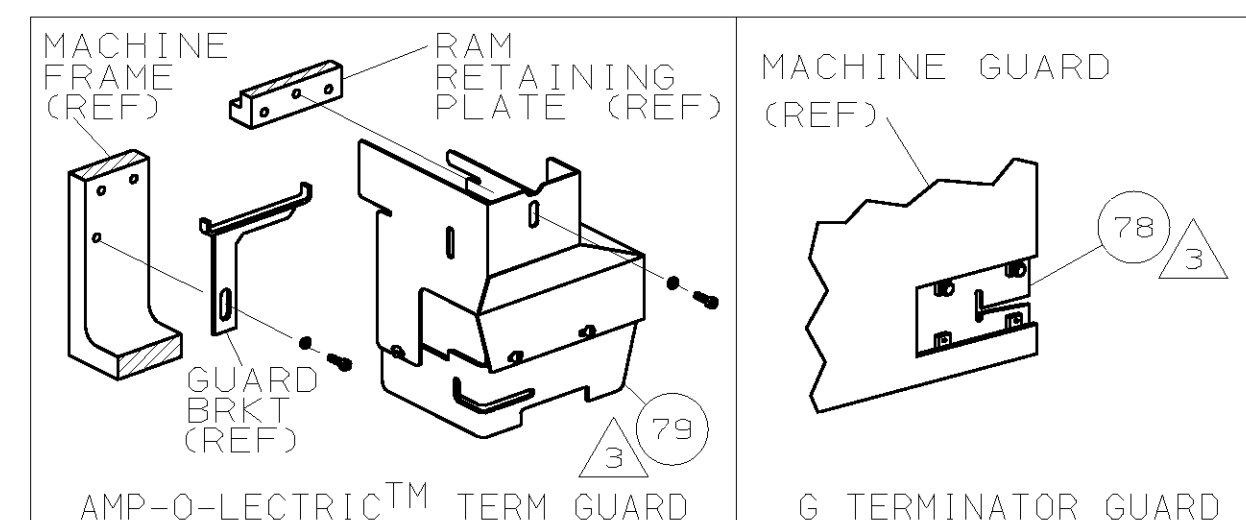
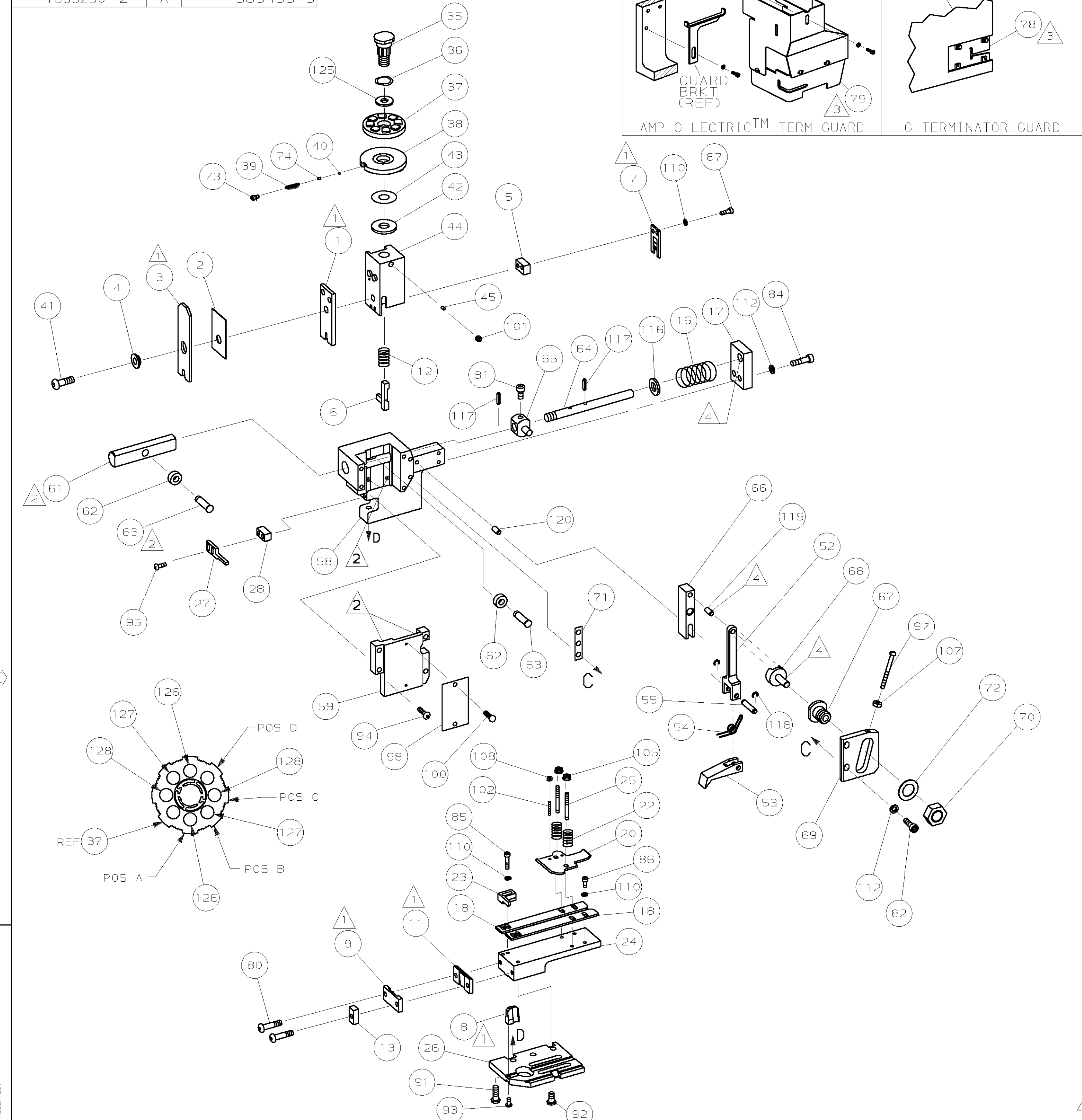


PART NUMBER	REV	FIRST USED
1385250-1	A	122500-1
1385250-2	A	565435-5



TERMINAL NAME: .250 SERIES RECEPTACLE			
170304	AMP TERMINAL	AMP CRIMP SPECS	
170303	PAD LTR	CRIMP HEIGHT	WIRE SIZE
	A	.049 ±.002 [1.25 ±0.05mm]	0.85mm ²
	B	.044 ±.002 [1.13 ±0.05mm]	0.5mm ²
	C	.041 ±.002 [1.05 ±0.05mm]	0.3mm ²
	D	NOT	USED
CRIMP	SIZE	TYPE	RANGE
WIRE	.090 [2.29mm]	F	0.3mm ² -0.85mm ²
INSUL	.120 [3.05mm]	F	1.5mm-2.6mm
WIRE STRIP LENGTH	TERM APPL SPEC	FEED	APPL INSTRUCTION
.166-.183	NONE	.846	408-8039
			SET UP GAGE LAYOUT L2518

-1	LEADMAKER & BENCH MODEL G	MECH POST FEED	
-2	BENCH MODEL K	MECH POST FEED	
REF	REF	- A	22594-8 NUT, HEX 70
REF	REF	- B	240628-1 PLATE, ADJ 69
REF	REF	- B	240626-1 SHAFT, PIVOT 68
REF	REF	- B	240633-1 BUSHING 67
REF	REF	- A	455680-1 LEVER, INTERMEDIATE 66
REF	REF	- B	240629-1 BLOCK, PIVOT 65
REF	REF	- A	240632-2 SCR, ADJ 64
REF	REF	- B	240659-3 PIN, CAM ROLLER 63
REF	REF	- B	240658-1 CAM, ROLLER 62
REF	REF	- B	454398-1 ROD, FEED 61
			60
REF	REF	- C	454220-1 CAP, RAM 59
REF	REF	- D	453736-1 HOUSING 58
			57
			56
REF	REF	- B	240624-1 PIN, FEED FINGER 55
REF	REF	- B	691499-1 SPRING, FEED FINGER 54
REF	REF	- B	240635-1 FINGER, FEED 53
REF	REF	- B	240634-1 LEVER, TERMINAL 52
			51
			50
			49
1	-	- B	690501-3 CAM, POST FEED 1 1/8 ST 48
-	1	- B	690501-4 CAM, POST-FEED 1 5/8 ST 47
			46
1	1	- A	690191-1 PLUG, NYLON 45
1	1	- C	455674-1 RAM 44
1	1	- A	690125-1 WASHER, LAMINATED 43
1	1	- A	690124-1 WASHER, RAM 42
1	1	- A	7-21002-9 BOLT, CRIMPER(5/16-24x1.00) 41
1	1	- A	23241-6 BALL, STEEL 40
1	1	- A	690170-1 SPRING, COMPRESSION 39
1	1	- C	690142-1 DISC, INSULATION 38
1	1	- D	354777-1 WIRE DISC, PLASTIC 37
1	1	- A	22480-5 WASHER, SPRING 36
1	1	- B	690212-1 POST, RAM 35
			34
			33
1	1	- D	458980-1 APPLICATOR, BASIC (SUB ASSY) 32
			31
			30
			29
1	1	- B	3-690451-2 SPACER, STRIPPER 28
1	1	- A	240639-1 STRIPPER 27
REF	REF	- C	455676-1 PLATE, BASE 26
2	2	- A	22354-8 DRAG, STUD 25
1	1	- B	458803-2 PLATE, STRIP GUIDE 24
1	1	- C	240825-1 PLATE, STRIP HOLD DOWN 23
2	2	- A	4-22281-1 SPRING, DRAG 22
			21
1	1	- A	454177-1 DRAG, STOCK 20
			19
2	2	- C	454204-1 GUIDE, STRIP (FRONT) 18
REF	REF	- A	454178-1 GUIDE, FEED ROD 17
REF	REF	- A	4-22284-9 SPRING, FEED RETURN 16
			15
			14
1	1	- C	690481-2 SPACER, HOLD DOWN 13
1	1	- A	23846-1 SPRING, HOLD DOWN 12
1	1	- B	240644-5 PLATE, REAR SHEAR 11
			10
1	1	- B	690482-3 PLATE, FRONT SHEAR 9
1	1	- D	8-461295-4 ANVIL 8
1	1	- B	690474-3 BLADE, SLUG 7
1	1	- D	1-455892-0 HOLD DOWN, TERMINAL 6
1	1	- C	1-240641-4 SPACER, SLUG BLADE 5
1	1	- B	238009-1 SPACER, BLOCK CRIMPER 4
1	1	- C	4-1213077-7 CRIMPER, INSULATION 3
1	1	- B	455888-8 SPACER, CRIMPER 2
1	1	- C	3-456404-1 CRIMPER, WIRE 1



QTY	REF	REV	U/M	DWG SIZE	PART NO	DESCRIPTION	ITEM NO
2	2	-	C		6-354779-0	PIN, WIRE DISC (.3290)C	129
2	2	-	C		5-354779-1	PIN, WIRE DISC (.3245)B	128
2	2	-	C		3-354779-9	PIN, WIRE DISC (.3185)A	127
1	1	-	A		986950-1	WASHER, FLAT PRECISION	125
1	1	-	A		217238-1	GENERAL INSTRUCTION PACKAGE	124
1	1	-	-		4088039	EF APPL INST 408-8039	123
							122
							121
REF	REF	-	A		1-21030-7	PIN, DOWEL (Ø.187x1.50)H56	120
REF	REF	-	A		1-21030-1	PIN, DOWEL (Ø.187x.50)LEVER	119
REF	REF	-	A		21045-3	RING, RET "C" (Ø.187)FD PIN	118
REF	REF	-	A		5-21028-1	PIN, STD SPRING(Ø.12)FD ADJ ROD	117
REF	REF	-	A		21899-4	WASHER, FLAT (Ø5/16) SCR ADJ	116
							115
							114
							113
REF	REF	-	A		21024-5	WASHER, LOCK (NO.10)FD ROD GDE	112
							111
7	7	-	A		21024-4	WASHER, LOCK (NO.8)SHEAR BL	110
							109
2	2	-	A		21018-4	NUT, HEX (4-40)DRAG	108
REF	REF	-	A		21018-5	NUT, HEX (6-32)FD ADJ PL	107
							106
2	2	-	A		21022-2	NUT, HEX SL (8-32)DRAG STUD	105
							104
							103
2	2	-	A		2-21006-6	SCR, SKT SET (4-40x.62)DRAG	102
1	1	-	A		21009-2	SCR, SKT SET (1/4-20x.25)RAM	101
2	2	-	A		21017-2	SCR, DRIVE (#2x.19) ID PLATE	100
1	1	-	A		1-21002-7	SCR, BHC (6-32x.38) CAM	99
1	1	-	B		461264-1	PLATE, IDENTIFICATION	98
REF	REF	-	A		6-23715-5	SCR, PAN HD (6-32x1.50)FEED ADJ	97
							96
2	2	-	A		2-21002-2	SCR, BHC (8-32x.50) STRIPPER	95
REF	REF	-	A		2-21002-9	SCR, BHC (10-32x.75)H56 CAP	94
1	1	-	A		22733-8	SCR, BHC (8-32x.38 LW) ANVIL	93
4	4	-	A		3-21002-3	SCR, BHC (1/4-20x.50) ST 6D PL	92
REF	REF	-	A		2-22733-8	SCR, BHC (1/4-20x.62) BASE PL	91
							90
							89
							88
2	2	-	A		2-21000-7	SCR, SHC (8-32x.500) SLUG BLADE	87
3	3	-	A		.25	SCR, SHC (8-32x) STRIP GUIDE	86
2	2	-	A		.25	SCR, SHC (8-32x.62) R STRIP GUIDE	85
REF	REF	-	A		3-21000-7	SCR, SHC (10-32x.75) FEED ROD GDE	84
							83
REF	REF	-	A		3-21000-6	SCR, SHC (10-32x.62) FEED ADJ PL	82
REF	REF	-	A		3-21000-4	SCR, SHC (10-32x.38) PIVOT BLOCK	81
2	2	-	A		3-21002-0	SCR, BHC (10-32x.88) SHEAR PL	80
REF	-	-	A		455745-1	GUARD, WINDOW	79
-	REF	-	A		679532-1	INSERT, GUARD	78
							77
							76
							75
1	1	-	A		690603-1	SPRING, ASSIST	74
1	1	-	A		23030-1	SCR, SKT CAP (6-32x.25) CP DSC	73
REF	REF	-	A		458109-1	WASHER, FLAT (SPECIAL)	72
REF	REF	-	A		690517-1	SPACER	71
							70
							69
							68
							67
							66
							65
							64
							63
							62
							61
							60
							59
							58
							57
							56
							55
							54
							53
							52
							51
							50
							49
							48
							47
							46
							45
							44
							43
							42
							41
							40
							39
							38
							37
							36
							35
							34
							33
							32
							31
							30
							29
							28
							27
							26
							25
							24
							23
							22
							21
							20
							19
							18
							17
							16
							15
							14
							13
							12
							11
							10
							9
							8
							7
							6
							5
							4
							3
							2
							1

