

Spezifikation für Freigabe / specification for release

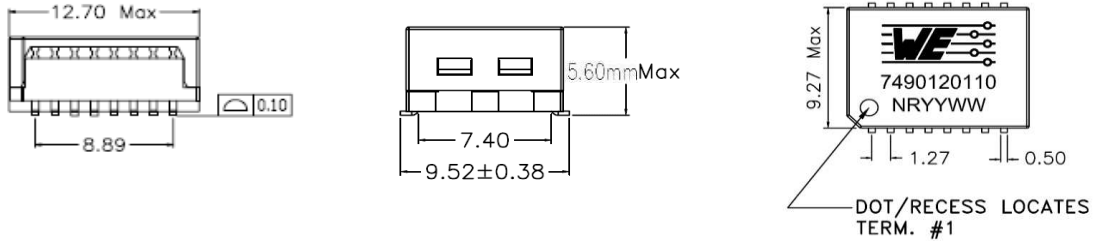
Kunde / customer :
 Artikelnummer / part number : **7490120110**
 Bezeichnung : **LAN-Übertrager WE-LAN**
 description : **LAN-Transformer WE-LAN**



DATUM / DATE : 2018-08-20

A Mechanische Abmessungen / dimensions :

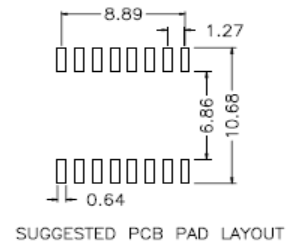
	10/100 BaseT PoE+
--	--------------------------



B Elektrische Eigenschaften / electrical properties :

Eigenschaften / properties	Testbedingungen / test conditions		Wert / value	Einheit / unit	tol.
Induktivität / Inductance	100kHz / 100mV @ 21mA DC-Bias	OCL	120	μH	min.
Übersetzungsverhältnis / Turns ratio	100kHz / 100mV	TR	1 : 1	Tx	±2%
			1 : 1	Rx	
Insertion Loss	1-100MHz	IL	-1,0	dB	max.
Return Loss	1 MHz-30 MHz @ 100Ω	RL	-16	dB	min.
	30 MHz-60 MHz @ 100Ω		-12		
	60 MHz-80 MHz @ 100Ω		-10		
	80 MHz-100 MHz @ 100Ω		-10		
Common Mode Rejection Ratio	1MHz-30MHz	CMRR	-40	dB	min.
	30MHz-60MHz		-35		
	60MHz-100MHz		-30		
Crosstalk	1MHz-60MHz	CT	-32	dB	min.
	60MHz-100MHz		-30		

C Lötpad / soldering spec. :



D Prüfgeräte / test equipment :

E5071C	Network Analyzer
UH36	HiPot Tester
E4980A	LCR Meter

E Testbedingungen / test conditions :

Luftfeuchtigkeit / humidity:	33%
Umgebungstemperatur / temperature:	+25°C

F Werkstoffe & Zulassungen / material & approvals :

Basismaterial / base material:	Ferrit/ ferrite
Draht / wire:	QPN 180
Gehäuse / case	UL94-V0
Verguss / potting	UL94-V0

G Eigenschaften / general specifications :

Betriebstemp. / operating temperature: - 40°C - + 85°C
 Hochspannungsprüfung / Hipot test: 1500Vrms 1min.
 Geeignet für 10/100Base-TX gemäß IEEE 802.3at /
 Compliant with IEEE 802.3at for 10/100Base-TX-Applications
 Auto MDIX fähig / Auto MDIX capable
 Stromtragfähigkeit 720mA / Current capability up to 720mA

Freigabe erteilt / general release:	Kunde / customer		
		JaB	Version 06
Datum / date	Unterschrift / signature	JaB	Version 05
	Würth Elektronik	JaB	Version 04
Geprüft / checked	Kontrolliert / approved	JaB	Version 03
		JaB	Version 02
		JaB	Version 01
		Name	Änderung / modification
		Datum / date	

Würth Elektronik eiSos GmbH & Co.KG

D-74638 Waldenburg · Max-Eyth-Straße 1 - 3 · Germany · Telefon (+49) (0) 7942 - 945 - 0 · Telefax (+49) (0) 7942 - 945 - 400
<http://www.we-online.com>

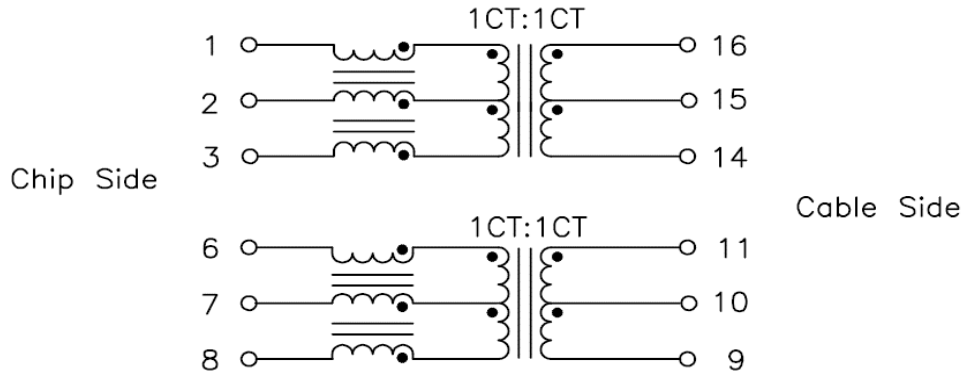
Spezifikation für Freigabe / specification for release

Kunde / customer :
 Artikelnummer / part number : **7490120110**
 Bezeichnung : **LAN-Übertrager WE-LAN**
 description : **LAN-Transformer WE-LAN**



DATUM / DATE : 2018-08-20

H Schaltbild / Schematics :



Freigabe erteilt / general release:	Kunde / customer			
.....	JaB	Version 06	2018-08-20
Datum / date	Unterschrift / signature	JaB	Version 05	2017-07-05
.....	JaB	Version 04	2016-08-09
	Würth Elektronik	JaB	Version 03	2016-09-14
.....	JaB	Version 02	2016-07-26
Geprüft / checked	Kontrolliert / approved	JaB	Version 01	2015-01-08
		Name	Änderung / modification	Datum / date

Würth Elektronik eiSos GmbH & Co.KG

D-74638 Waldenburg · Max-Eyth-Straße 1 - 3 · Germany · Telefon (+49) (0) 7942 - 945 - 0 · Telefax (+49) (0) 7942 - 945 - 400
<http://www.we-online.com>

Spezifikation für Freigabe / specification for release

Kunde / customer :
 Artikelnummer / part number : **7490120110**
 Bezeichnung : **LAN-Übertrager WE-LAN**
 description : **LAN-Transformer WE-LAN**

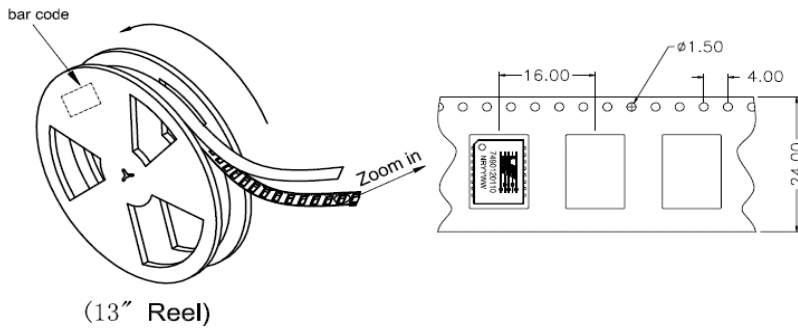


DATUM / DATE : 2018-08-20

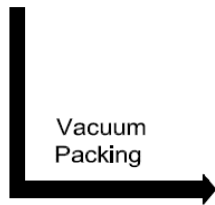
I Rollenspezifikation / tape and reel specification :

Gurtspezifikation / Tape specification:

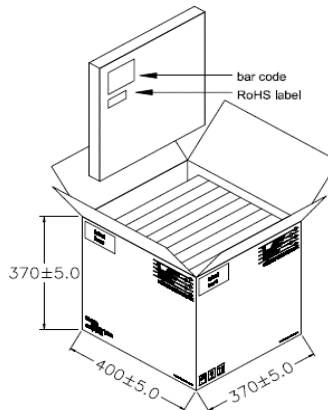
PACKAGING(Tape & Reel)



(13" Reel)



Outside Carton



PACKING QUANTITY:

650pcs Finished Goods / Reel

10 Reels (6500pcs Finished Goods) / Carton

Freigabe erteilt / general release:	Kunde / customer			
.....	JaB	Version 06	2018-08-20
Datum / date	Unterschrift / signature	JaB	Version 05	2017-07-05
.....	Würth Elektronik	JaB	Version 04	2016-08-09
.....	JaB	Version 03	2016-09-14
Geprüft / checked	Kontrolliert / approved	JaB	Version 02	2016-07-26
.....	JaB	Version 01	2015-01-08
		Name	Änderung / modification	Datum / date

This electronic component has been designed and developed for usage in general electronic equipment. Before incorporating this component into any equipment where higher safety and reliability is especially required or if there is the possibility of direct damage or injury to human body, for example in the range of aerospace, aviation, nuclear control, submarine, transportation, (automotive control, train control, ship control), transportation signal, disaster prevention, medical, public information network etc, Würth Elektronik eiSos GmbH must be informed before the design-in stage. In addition, sufficient reliability evaluation checks for safety must be performed on every electronic component which is used in electrical circuits that require high safety and reliability functions or performance.

Würth Elektronik eiSos GmbH & Co.KG

D-74638 Waldenburg · Max-Eyth-Straße 1 - 3 · Germany · Telefon (+49) (0) 7942 - 945 - 0 · Telefax (+49) (0) 7942 - 945 - 400
<http://www.we-online.com>