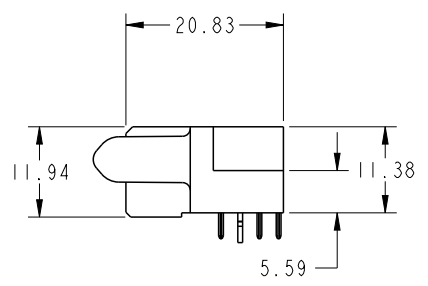
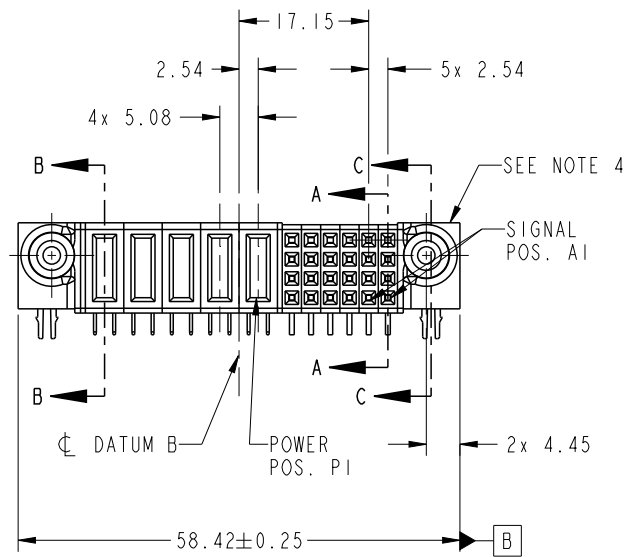


PRODUCT NO. 51915-488-- NOTE 3	ROWS D C B A	POWER					SIGNAL							
		E2	P5	P4	P3	P2	P1	6	5	4	3	2	1	E1
			PA	PA	PC	PA	PC	H	H	H	H	H	H	
			PA	PA	PC	PA	PC	G	G	G	G	G	G	
			PA	PA	PC	PA	PC	F	F	F	F	F	F	
			PA	PA	PC	PA	PC	E	E	E	E	E	E	



CODE	DIM "M" MATING LENGTH	CONTACT TYPE
PA	[1.07]	POWER
PC	[2.34]	POWER
H	[N/A]	SIGNAL
G	[N/A]	SIGNAL
F	[N/A]	SIGNAL
E	[N/A]	SIGNAL
HA	[N/A]	HOLD-DOWN

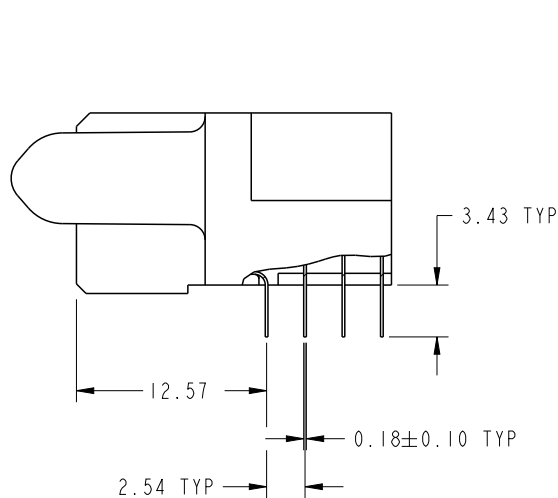
spec ref	SEE NOTES			dr	De-Ming Lu	2015/04/01	projection 	MM ←→	size	A4	scale	1:1
tolerance std	TOLERANCES UNLESS OTHERWISE SPECIFIED			eng	De-Ming Lu	2015/04/07			ecn no	-	rel level	Released
SEE NOTES				chr	Fancy Zhang	2015/04/07						
surface	linear	0.X	±0.50	appr	Pei-Ming Zheng	2015/04/07	product family		PwrBlade			
		0.XX	±0.25	 www.fci.com			title		24S + 5DCP		dwg no	51915-488
		0.XXX	±0.10				R/A SOLDER RECEPTACLE		rev	A		
	angular	0°	±2°	cat. no.			Product - Customer Drw				sheet 1 of 4	



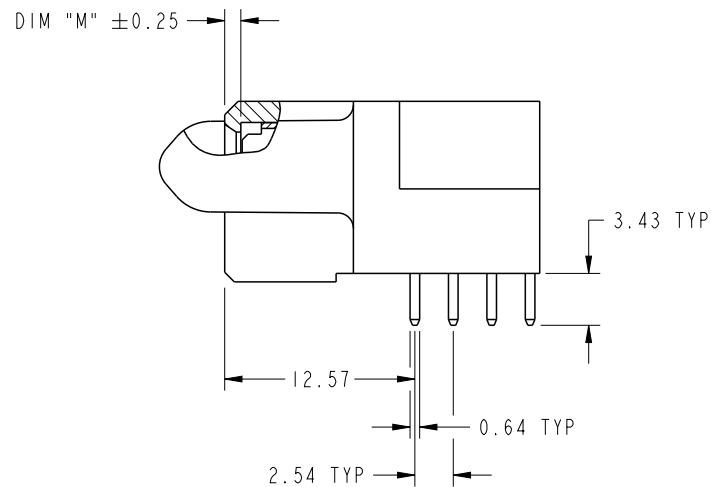
Copyright FCI.

PRODUCT NUMBER

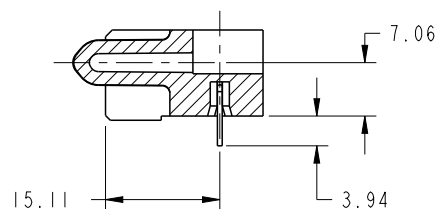
51915-488__
NOTE 3



BROKEN-OUT SECTION A-A
SCALE 2:1



BROKEN-OUT SECTION B-B
SCALE 2:1

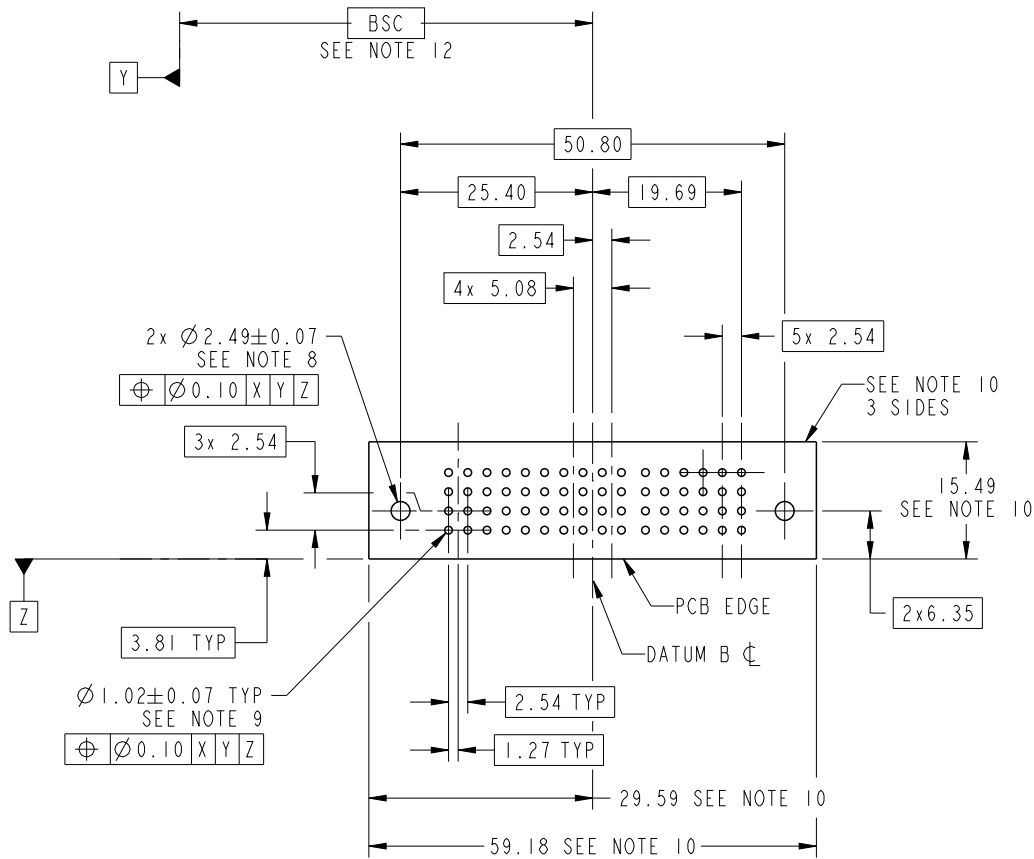


SECTION C-C

dr	De-Ming Lu	2015/04/01	projection 	MM 	size	A4	scale	1:1
eng	De-Ming Lu	2015/04/07			ecn no	-		
chr	Fancy Zhang	2015/04/07			rel level	Released		
appr	Pei-Ming Zheng	2015/04/07	product family	PwrBlade	rev	A		
		title	24S + 5DCP R/A SOLDER RECEPTACLE		dwg no	51915-488		
www.fci.com		cat. no.	Product - Customer Drw			sheet 2 of 4		

PRODUCT NUMBER

51915-488__
NOTE 3



RECOMMENDED PCB LAYOUT

dr	De-Ming Lu	2015/04/01	projection 	MM 	size	A4	scale	1:1	
eng	De-Ming Lu	2015/04/07			ecn no	-			
chr	Fancy Zhang	2015/04/07			rel level	Released			
appr	Pei-Ming Zheng	2015/04/07	product family	PwrBlade	rev	A			
		title		24S + 5DCP		dwg no		51915-488	
www.fci.com		cat. no.		Product - Customer Drw		sheet		3 of 4	
		R/A SOLDER RECEPTACLE							

PRODUCT NUMBER

51915-488__
NOTE 3

NOTES:

1. DIMENSIONS AND TOLERANCES ARE IN ACCORDANCE WITH ASME Y14.5M, 1994 UNLESS OTHERWISE SPECIFIED.

CONNECTOR NOTES:

- 2. HOUSING MATERIAL: UL 94 V-0 GLASS FILLED HIGH-TEMP THERMOPLASTIC
POWER CONTACT MATERIAL: COPPER ALLOY
SIGNAL PIN MATERIAL: COPPER ALLOY
 - 3. SEE ITEM 5 & 6 IN PRINT 10064183 FOR PLATING SPEC OF 51915-488 AND 51915-488LF RESPECTIVELY.
 - 4. MANUFACTURER'S NAME, DATE CODE AND OPTIONAL P/N TO APPEAR ON THIS SURFACE. THE MARK CAN BE OMITTED IF THERE IS NOT ENOUGH SPACE ON THIS SURFACE.
 - 5. PRODUCT SPECIFICATION GS-12-149.
APPLICATION SPECIFICATION BUS-20-067.
 - 6. PACKAGED IN TRAYS.
- PCB NOTES:
- 7. ALL HOLE DIAMETERS ARE FINISHED HOLE SIZE.
 - 8. MOUNTING HOLES, WHERE APPLICABLE, ARE UNPLATED.
 - 9. $\varnothing 1.151 \pm 0.025$ DRILLED HOLES PLATED WITH
0.008 MIN SnPb OR Sn OVER 0.03
TO 0.08 Cu PLATING TO ACHIEVE
 $\varnothing 1.02 \pm .07$ HOLE.
 - 10. CONNECTOR KEEP-OUT ZONE.
 - 11. THE VOID CORING IN BETWEEN POWER MODULES, SIGNAL MODULES AND END MODULES ARE OPTIONAL AND THE SHAPE MAY BE DIFFERENT FOR OPTIMIZE THE MOLDING PROCESS. THE VOID CORING WILL NOT EFFECT TO PRODUCT FUNCTION.
 - 12. DATUM AND BASIC DIMENIONS ARE ESTABLISHED BY CUSTOMER.

dr	De-Ming Lu	2015/04/01	projection 	MM 	size	A4	scale	1:1			
eng	De-Ming Lu	2015/04/07			ecn no	-					
chr	Fancy Zhang	2015/04/07			product family	PwrBlade	rel level	Released			
appr	Pei-Ming Zheng	2015/04/07	www.fci.com		title	24S + 5DCP R/A SOLDER RECEPTACLE		dwg no	51915-488	rev	A
cat. no.			Product - Customer Drw				sheet 4 of 4				



Copyright FCI.