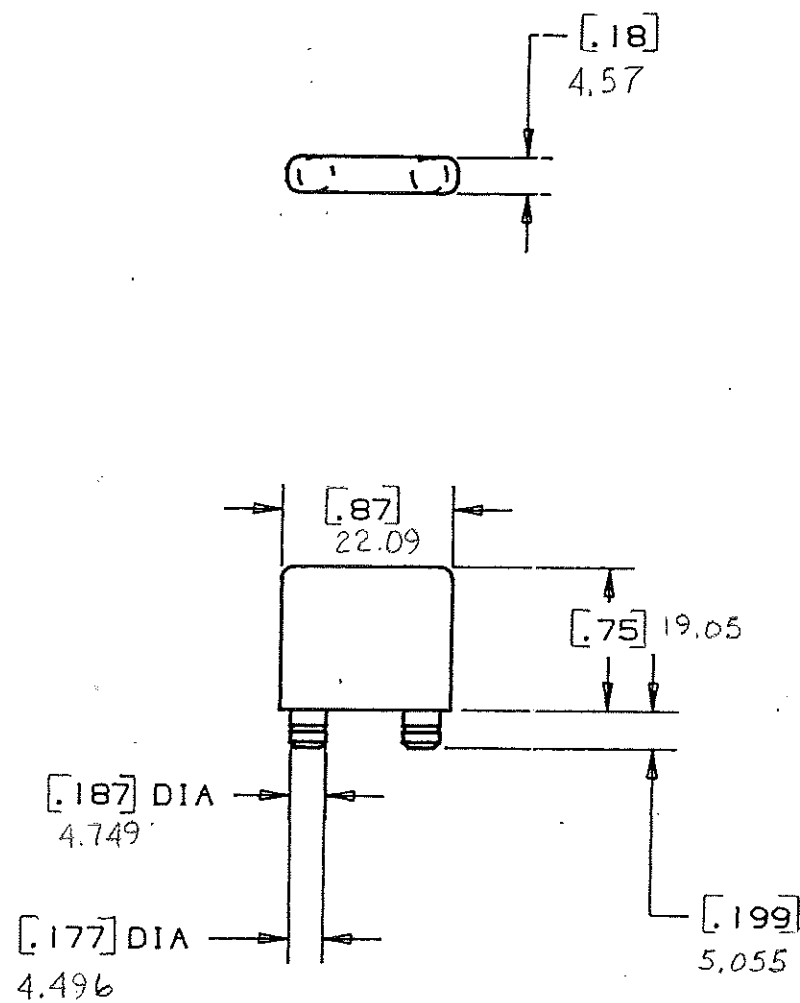


DRAWING NO.

NOTE: ALL DIMENSIONS ARE IN MILLIMETERS,
ENGLISH DIMENSIONS IN [].



CERTIFICATION OF
COUNTRY OF ORIGIN
REQUIRED

COPIES TO	18	MAT'L SPEC.	Nylon Case Back
	19	FINISH	
20	DR. 6ES. 08. 7. 94	CHK. 6ES.	SCALE
21	APPD. S. H. 10-11-94	DATE 10-11-94	SUPER. DR.
22			RAW STK. WT.
23			LBS./M
24			TOLERANCE UNLESS OTHERWISE SPECIFIED
25			TWO PLACE DEC. ± .50mm [0.020] FRACTION ±
26			THREE PLACE DEC. ± .25mm [0.010] ANGULAR ±
27			TITLE
28			ISOLATION BARRIER
29			DRWG. NO.
30			D. 03540511Z

LTR	REVISION	CHK.	APD.
A	06534 - RELEASED OCTOBER 10, 94 6ES.	6ES.	AB
B	36988C - ADD METRIC DIM'S 7-19-95 RFR	6ES.	6ES.
C	37055D - CHG TITLE 8-19-95 JCU	TRB	6ES.
D	000807ER - RE-INSTATE 10/09/09 J.U.		

THIS DRAWING IS THE PROPERTY OF LITTELFUSE INC. IT IS TO BE USED ONLY FOR THE PURPOSES SPECIFIED IN THE ORDER.