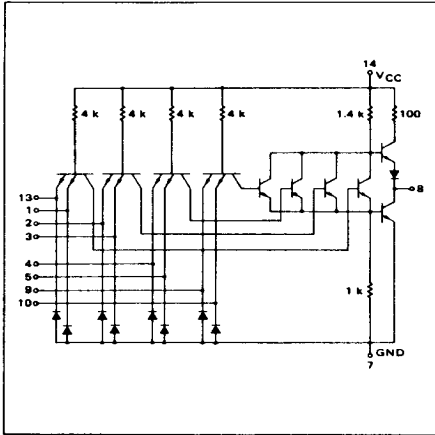


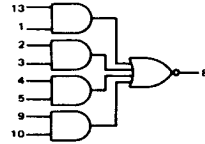
MTTL MC7400P series
MTTL MC5400L/7400L series

4-WIDE 2-INPUT
"AND-OR-INVERT" GATE

MC5454L*
MC7454P,L*



This device consists of four 2-input AND gates ORed together and inverted.



Positive Logic:

$$B = (13 \cdot 1) + (2 \cdot 3) + (4 \cdot 5) + (9 \cdot 10)$$

Negative Logic:

$$B = (13 + 1) \cdot (2 + 3) \cdot (4 + 5) \cdot (9 + 10)$$

Input Loading Factor = 1

Output Loading Factor = 10

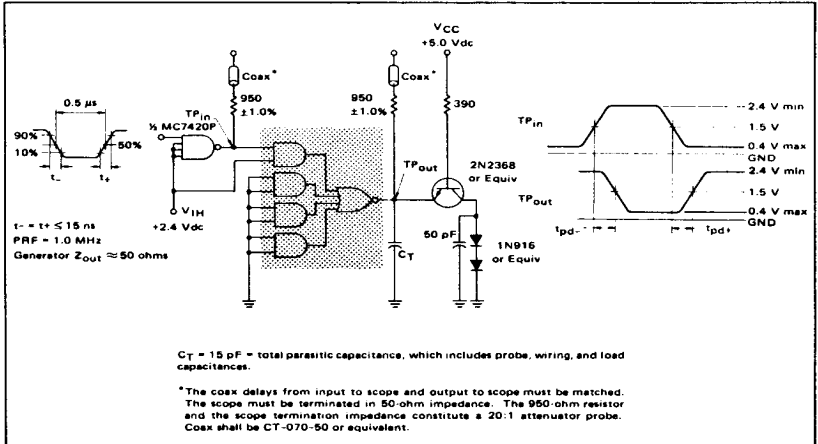
Total Power Dissipation = 22 mW typ/pkg

Propagation Delay Time = 13 ns typ

*L suffix = TO-116 ceramic package (Case 632)
P suffix = TO-116 plastic package (Case 606)
See General Information section for package outline dimensions.

SWITCHING TIME TEST CIRCUIT

VOLTAGE WAVEFORMS AND DEFINITIONS



391

