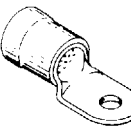
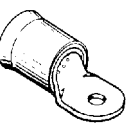
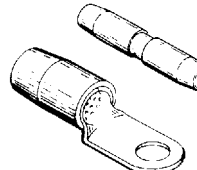
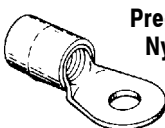
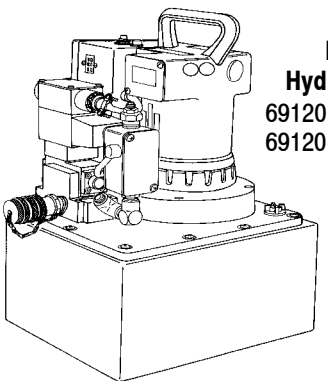


DESCRIPTION	WIRE SIZE	HYDRAULIC TOOLING 69120-[ ], 314979, 122271-1		PNEUMATIC TOOLING			TAPE TOOLING			HEAVY HEAD HAND TOOL	
		Dies for 69051 59974-1	Dies for 69066 58422-1	Heads for 626	Heads for 69015	Jaws for 68068-[ ]	Dies for 68250-1	Dies for 68354-1	Dies for 69875		
Terminal/Splice Color Code <div style="display: flex; justify-content: space-around; align-items: center;"> <div style="width: 10px; height: 10px; background-color: red; border: 1px solid black;"></div> Red  <div style="width: 10px; height: 10px; background-color: blue; border: 1px solid black;"></div> Blue  <div style="width: 10px; height: 10px; background-color: yellow; border: 1px solid black;"></div> Yellow         </div>	8	48752-1 47820	48858-1 47236-1†	217942-1 L		68229-1	68247-1●	68355-1	68116-1▲	69959	
	6	48753-1 47821●	48859-1 47237-1†			68325-1	68233-1	68248-1●			
	4	48754-1 47822●	48860-1 47238-1†			314991-1		68249-1●			
	2	48755-1 47823●	48861-1 47239-1†								
	PLASTI-GRIP* Terminals 	1/0		48756-1 47824● 47378-1†							
		2/0		48757-1 47825●							
3/0			48758-1 47915●								
AMPLI-BOND* Terminals 	4/0		48759-1 47918●								
	8	48752-1	48858-1 47236-1†	217942-1 L				68355-1	68116-1▲	69959	
	6	48753-1	48859-1 47237-1†			68325-1					
	4	48754-1	48860-1 47238-1†			314991-1					
	2	48755-1	48861-1 47239-1†								
	1/0		48756-1 47378-1†								
	2/0		48757-1								
TERMINYL* Terminals and Splices 	3/0		48758-1								
	4/0		48759-1								
	8	47820●					68247-1●				
	6	47821●					68248-1●				
	4	47822●					68249-1●				
	2	47823●									
	1/0		47824●								
Pre-Insulated Nylon H.D. 	2/0		47825●								
	3/0		47915●								
	4/0		47918●								
	4		69463●								

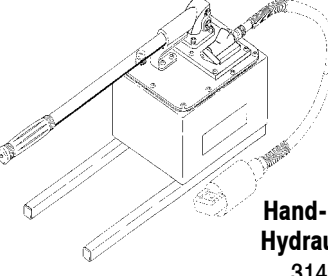
● No insulation crimp  
 † Large expansion  
 ▲ Foot pedal operation only

### TOOLING AND ACCESSORIES

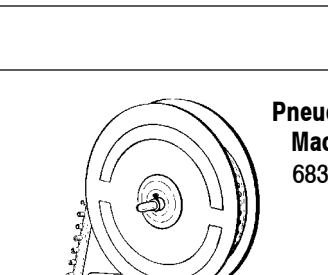
#### Hydraulic



**DYNA-CRIMP\* Hydraulic Power Units**  
 69120-1 (115 VAC - 60 Hz)  
 69120-2 (230 VAC - 60 Hz)



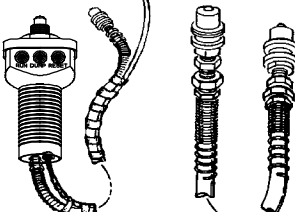
**Battery-Operated Hydraulic Unit**  
 122271-1



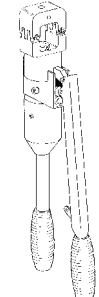
**Hand-Operated Hydraulic Pump**  
 314979-1

#### Handle Control W/Hose and Cord

59907-[ ]



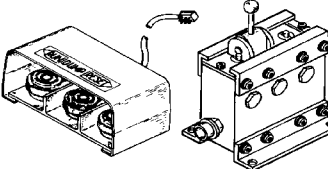
**Hose Assy W/Crimping Head Coupling**  
 59909-[ ]



**Hand Tool**  
 59974-1

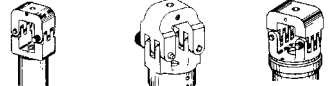
#### Foot Control

68284-1



**3-Way Multidirectional Valve**  
 59220 (No Safety Sw)  
 59220-2 (W/Safety Sw)

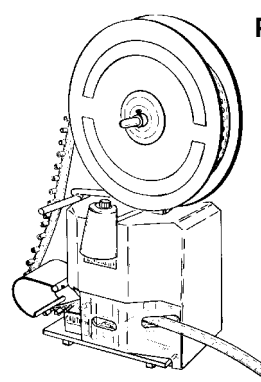
#### Hydraulic Crimping Heads



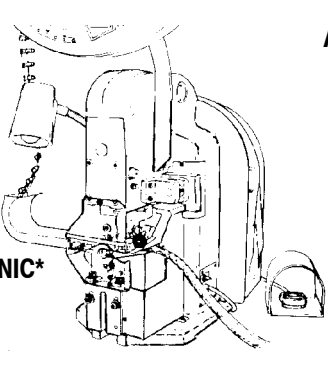
69051    69066    58422-1

---

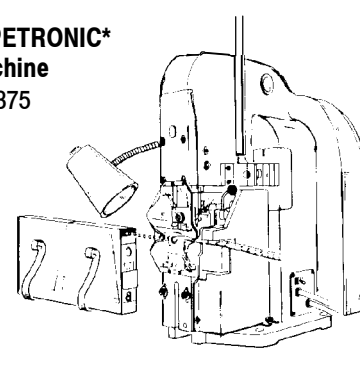
#### Tape Machines



**Pneudraulic Machine**  
 68354-1



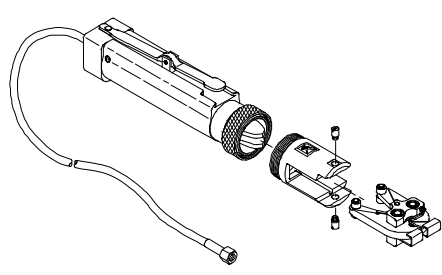
**AMP-TAPETRONIC\* Machine**  
 68250-1



**AMP-TAPETRONIC\* Machine**  
 69875


---

#### Pneumatic

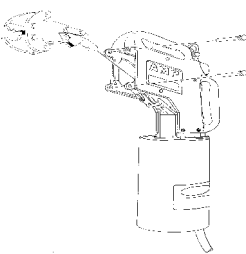


**626 Pneumatic Tooling Systems**

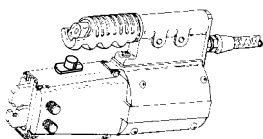
#### Hand Tool



**Heavy Head Tool**



69015



68068