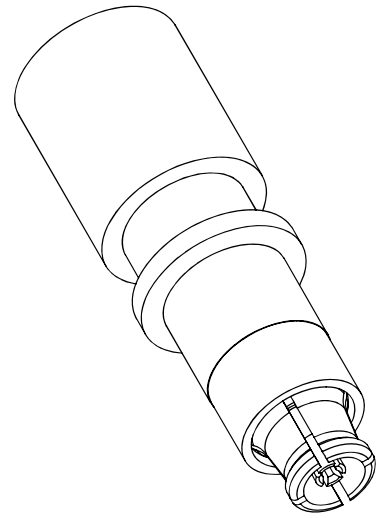
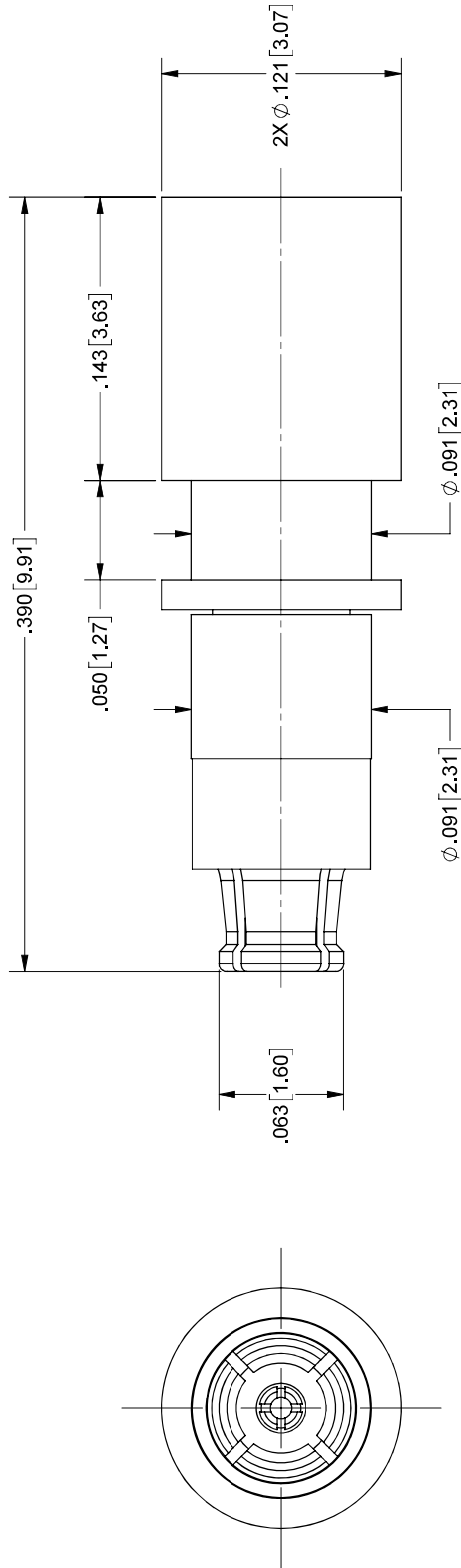


PRODUCT DATA DRAWING

REVISION HISTORY		DATE	APPROVED
REV	DESCRIPTION		
-	DCN 43145	03/17	GPF



MATERIAL:

BODY & CONTACT: BERYLLIUM COPPER PER ASTM B196, ALLOY No. UNS C17300, TD04

SLEEVE: STAINLESS STEEL PER ASTM B196, ALLOY No. UNS C17300, TD04

INSULATOR: PTFE PER ASTM D1710, TYPE I, GRADE 1, CLASS B

FINISH:

BODY & CONTACT: GOLD PER ASTM B488, TYPE II, CODE C, CLASS 1.27, OVER NICKEL PER AMS-QQ-N-290, CLASS 1, .00005" MIN.

SLEEVE: PASSIVATED PER AMS-2700.

PERFORMANCE:

IMPEDANCE: 50 OHMS

MATERIAL: SEE NOTES

FINISH: SEE NOTES

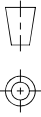
SURFACE AREA: N/A

PROPRIETARY
THE INFORMATION CONTAINED IN THIS DRAWING IS THE SOLE PROPERTY OF SV MICROWAVE, INC. ANY REPRODUCTION IN PART OR AS A WHOLE WITHOUT THE WRITTEN PERMISSION OF SV MICROWAVE, INC. IS PROHIBITED.

DIMENSIONS ARE IN INCHES TOLERANCES:

FRACTIONAL: ±1/64 ANGULAR: X° ±1'0"
X"X' ±15"
DECIMAL: .XX ±.005
.XXX ±.005
INTERPRET DIMENSIONS AND TOLERANCES PER ASME Y14.5M - 1994

THIRD ANGLE PROJECTION



UNLESS OTHERWISE SPECIFIED

1) ALL DIMENSIONS ARE IN INCHES (MILLIMETERS)
2) BREAK CONTOURS & EDGES, 45° R. MAX.
3) SURFACE FINISH, UNLESS OTHERWISE SPECIFIED
4) SURFACE FINISH, UNLESS OTHERWISE SPECIFIED
5) SURFACE FINISH, UNLESS OTHERWISE SPECIFIED
6) UNLESS OTHERWISE SPECIFIED, ALL DIMENSIONS ARE TO CONCENTRIC CENTER OF GRAVITY
7) REMOVE ALL BURRS

DRAWN: VB 03/03/17

CHECKED: GPF 03/03/17

APPROVED: GPF 03/03/17

SV Microwave, Inc.

2400 Centrepark West Drive, Suite 100
West Palm Beach, FL 33409

TITLE:
**SMPS FEMALE
FOR Ø.065 CABLE**

SIZE: CAGE CODE DWG. NO. **3821-40027**

SCALE: 16:1

SHEET 1 OF 1