

| PART NUMBER | REVISION | DESCRIPTION                      | FEED TYPE  |
|-------------|----------|----------------------------------|------------|
| 2266542-1   | C        | FINE CRIMP HEIGHT ADJUST         | MECHANICAL |
| 2266542-2   | C        | FINE CRIMP HEIGHT ADJUST         | PNEUMATIC  |
| 7-2266542-1 | C        | MECHANICAL AND CRIMP TOOLING KIT | MECHANICAL |
| 7-2266542-2 | C        | PNEUMATIC AND CRIMP TOOLING KIT  | PNEUMATIC  |
| 7-2266542-7 | A        | CRIMP TOOLING KIT                | -          |

ATLANTIC VERSION TERMINATOR INTERFACE ADAPTER



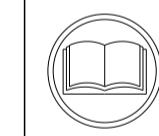
| APPLICATOR DATA |                |      |
|-----------------|----------------|------|
| CRIMP           | SIZE           | TYPE |
| WIRE            | 2.41 mm [.095] | F    |
| INSUL           | 3.56 mm [.140] | O    |

APPLICATOR INSTRUCTIONS  
408-35042

| TERMINAL DATA: ITT TERMINAL        |                    | ITT CRIMP SPECIFICATION   |    |
|------------------------------------|--------------------|---------------------------|----|
| TERMINAL NAME: TERMINAL            |                    |                           |    |
| WIRE STRIP LENGTH                  |                    | INSULATION DIAMETER RANGE |    |
| 3.92-4.68 mm [.154-.184 IN]        |                    | ∅                         | △6 |
| TERMINAL APPLICATION SPECIFICATION | K121668-0222 Rev E | -                         | -  |

| TERMINALS APPLIED |              |           |             |                   |
|-------------------|--------------|-----------|-------------|-------------------|
| TE TERMINAL       | ITT TERMINAL | TE SEAL   | ITT SEAL    | CABLE DIAMETER △6 |
| 2113606-1         | 121668-0222  | 2113388-1 | 121667-0023 | ∅1.9-2.1          |
| 2113606-2         | 121668-0202  | 2113388-2 | 121667-0022 | ∅1.4-2.0          |
| 2113606-3         | 121668-0272  | 2113388-3 | 121667-0024 | ∅1.2-1.6          |
| 2113606-4         | 121668-0121  | 963530-1  |             | ∅1.4-1.9          |
| 2113606-5         | 121668-0268  |           |             |                   |

| WIRE SIZE | CRIMP HEIGHT mm [INCH]        | CRIMP HEIGHT REFERENCE SETTING |
|-----------|-------------------------------|--------------------------------|
| 1.50mm2   | 1.30 +/- 0.03 [.051 +/- .001] | 5.8                            |
| 1.00mm2   | 1.27 +/- 0.03 [.050 +/- .001] | 6.4                            |
| 0.75mm2   | 1.25 +/- 0.03 [.049 +/- .001] | 6.5                            |



- 1 RECOMMENDED SPARE PARTS
- 2 REFER TO SUPPLIED INSTRUCTION SHEET FOR CLEANING, LUBRICATION AND STORAGE OF APPLICATOR.
- 3 APPLY PART NUMBER 2-23419-6 LOCTITE TO THREADS OF ITEM 242.
- 4 CRIMP HEIGHT REFERENCE SETTING WAS THE SETTING USED WHEN THE APPLICATOR WAS QUALIFIED AT THE FACTORY. ADJUSTMENT MAY BE NECESSARY WHEN RUNNING APPLICATOR IN THE FIELD.
- 5. UNLESS SPECIFIED OTHERWISE TORQUE VALUES SHALL BE USED PER DOCUMENT, 101-35000.
- 6 THIS APPLICATOR APPLIES TERMINAL WITH A SEAL.
- 7 APPLY TORO-SEAL IN ALLEN SOCKET TO FILL HOLE AFTER FLAT HD HAS BEEN ADJUSTED TO CORRECT HEIGHT AT QUALIFICATION. APPLY #1-23419-5 LOC-TITE TO THREADS.

**\*WARNING**  
ON INSTALLATION, SET WIRE DISC TO CRIMP HEIGHT REFERENCE SETTING FOR LARGEST WIRE SIZE. CRIMP HEIGHT REFERENCE SETTINGS GREATER THAN THE VALUE SHOWN MAY CAUSE DAMAGE TO THE CRIMP TOOLING, REFER TO THE INSTRUCTION SHEET FOR PROPER SETUP AND ADJUSTMENTS.

ATLANTIC VERSION  
Shown on sheets 1 of 4 & 2 of 4  
(Pacific version shown on sheets 3 of 4 & 4 of 4)

| LOC | DIST | REVISIONS |     |               |           |     |      |
|-----|------|-----------|-----|---------------|-----------|-----|------|
| A   | 66   | P         | LTN | DESCRIPTION   | DATE      | OWN | APVD |
|     |      | 1         |     | DEVELOPMENT   | 05NOV2014 | JH  | UG   |
|     |      | A         |     | RELEASED      | 16DEC2014 | JH  | TE   |
|     |      | B         |     | ECR-21-006336 | 17JUN2021 | MEH | TE   |
|     |      | C         |     | ECR-21-007049 | 27JUL2021 | JWC | RK   |

|   |     |     |     |     |             |                                     |                       |   |
|---|-----|-----|-----|-----|-------------|-------------------------------------|-----------------------|---|
| - | 1   | -   | 1   | -   | 2119641-1   | FEED CAM, AIR FEED                  | 248                   |   |
| - | 1   | 1   | 1   | 1   | 2119082-4   | CAM, SNAIL, INSULATION ADJUSTMENT   | 244                   |   |
| - | 1   | 1   | 1   | 1   | 2079764-1   | WASHER, WAVE SPRING, CREST-TO-CREST | 243                   |   |
| - | 1   | 1   | 1   | 1   | 2119083-1   | RETAINER, INSULATION DIAL           | 242                   |   |
| - | 1   | 1   | 1   | 1   | 7-18023-7   | SCR, SKT HD CAP M3 X 4.0            | 241                   |   |
| - | -   | 1   | -   | 1   | 2119580-1   | MECHANICAL FEED ASSEMBLY            | 239                   |   |
| - | 1   | -   | 1   | -   | 2844940-1   | AIR FEED MODULE                     | 238                   |   |
| - | REF | REF | REF | REF | 994970-2    | COUNTER, MAGNETIC                   | 164                   |   |
| - | 1   | 1   | 1   | 1   | 2844908-1   | SCREW, LOCKING                      | 99                    |   |
| - | 1   | 1   | 1   | 1   | 2844907-1   | POST, LOCKING                       | 98                    |   |
| - | 1   | 1   | 1   | 1   | 455888-7    | SPACER, CRIMPER                     | 82                    |   |
| - | 1   | 1   | 1   | 1   | 1803607-3   | DOCUMENTATION PACKAGE               | 71                    |   |
| - | 1   | 1   | 1   | 1   | 2119740-1   | TAG, IDENTIFICATION                 | 67                    |   |
| - | 2   | 2   | 2   | 2   | 2168078-1   | SCREW, DRIVE, RH, RoHS, 2 x .188    | 66                    |   |
| - | 1   | 1   | 1   | 1   | 2168083-2   | SCR, SKT HD CAP, RoHS, M4 X 8.0     | 60                    |   |
| - | 1   | 1   | 1   | 1   | 5-18022-5   | SCR, HEX HD CAP, M4 X 6.0           | 59                    |   |
| - | 1   | 1   | 1   | 1   | 985575-3    | SCR, FLT SKT HD CAP M3 X 10.0       | 57                    |   |
| - | 1   | 1   | 1   | 1   | 1338683-8   | FEED PAWL                           | 56                    |   |
| - | 4   | 4   | 4   | 4   | 2168083-3   | SCR, SKT HD CAP, RoHS, M4 X 12.0    | 54                    |   |
| - | 2   | 2   | 2   | 2   | 1-2168083-0 | SCR, SKT HD CAP, RoHS, M4 X 10      | 53                    |   |
| - | 1   | 1   | 1   | 1   | 1803382-6   | HOLD DOWN, SPRING LOADED            | 50                    |   |
| - | 1   | 2   | 1   | 2   | 18023-9     | SCR, SKT HD CAP M4 X 6.0            | 49                    |   |
| - | -   | 1   | -   | 1   | 2119652-1   | FEED CAM, PRE FEED                  | 48                    |   |
| - | -   | 1   | -   | 1   | 2119653-1   | FEED CAM, POST FEED                 | 47                    |   |
| - | 1   | 1   | 1   | 1   | 1803583-9   | APPLICATOR BASIC ASSEMBLY, SF       | 46                    |   |
| - | 1   | 1   | 1   | 1   | 1803515-1   | RAM ASSEMBLY, SF ATLANTIC           | 44                    |   |
| - | 1   | 1   | 1   | 1   | 1803602-1   | SCR, BHSC, RoHS (M8 X 25)           | 41                    |   |
| - | 1   | 1   | 1   | 1   | 3-1752356-3 | SUPPORT, TERMINAL                   | 34                    |   |
| - | 2   | 2   | 2   | 2   | 2079383-5   | SCR, BHSC, RoHS (M4 X 20)           | 33                    |   |
| - | 2   | 2   | 2   | 2   | 3-2844962-0 | SPACER, CYLINDRICAL, STRIP GUIDE    | 30                    |   |
| - | 1   | 1   | 1   | 1   | 2844992-1   | ASSEMBLY, STRIP GUIDE               | 29                    |   |
| - | 1   | 1   | 1   | 1   | 455888-3    | SPACER, CRIMPER                     | 28                    |   |
| - | 1   | 1   | 1   | 1   | 1320928-6   | STRIP GUIDE                         | 24                    |   |
| - | 1   | 1   | 1   | 1   | 2168083-2   | SCR, SKT HD CAP, RoHS, M4 X 8.0     | 21                    |   |
| - | 2   | 2   | 2   | 2   | 1-18028-2   | WASHER, FLAT, REG M4                | 20                    |   |
| - | 1   | 1   | 1   | 1   | 2119533-1   | STRIPPER, SIDE FEED                 | 19                    |   |
| - | 1   | 1   | 1   | 1   | 2119806-1   | INSERT, SHEAR                       | 13                    |   |
| - | 1   | 1   | 1   | 1   | 3-22280-3   | SPRING, COMPRESSION                 | 12                    |   |
| - | 1   | 1   | 1   | 1   | 1-2168083-0 | SCR, SKT HD CAP, RoHS, M4 X 10      | 11                    |   |
| - | 1   | 1   | 1   | 1   | 2119805-1   | SHEAR HOLDER, FRONT                 | 10                    |   |
| - | 1   | 1   | 1   | 1   | 318707-1    | FLOATING SHEAR, FRONT               | 9                     |   |
| - | 1   | 2   | 2   | 1   | 1           | 3-1803056-0                         | ANVIL, COMBINATION    | 8 |
| - | -   | -   | -   | -   | -           | -                                   | 7                     |   |
| - | -   | -   | -   | -   | -           | -                                   | 6                     |   |
| - | 1   | 1   | 1   | 1   | 2119781-1   | DEPRESSOR, SHEAR                    | 5                     |   |
| - | 1   | 1   | 1   | 1   | 238011-4    | BLOCK, CRIMPER SPACER               | 4                     |   |
| - | 1   | 2   | 2   | 1   | 1           | 1803018-8                           | CRIMPER, INSULATION O | 3 |
| - | 1   | 1   | 1   | 1   | 455888-9    | SPACER, CRIMPER                     | 2                     |   |
| - | 1   | 2   | 2   | 1   | 1           | 1803188-7                           | CRIMPER, WIRE         | 1 |

| DIMENSIONS: |         | TOLERANCES UNLESS OTHERWISE SPECIFIED: |         | MATERIAL: |         | FINISH: |        | WEIGHT: |  | SCALE: |  |
|-------------|---------|--|---------|-----------|---------|---------|--------|---------|--|--------|--|
| mm          | 0 PLC ± | 1 PLC ±                                | 2 PLC ± | 3 PLC ±   | 4 PLC ± | ANGLES  | FINISH |         |  | SCALE  |  |
|             |         |  |         |           |         |         |        |         |  | 1:2    |  |



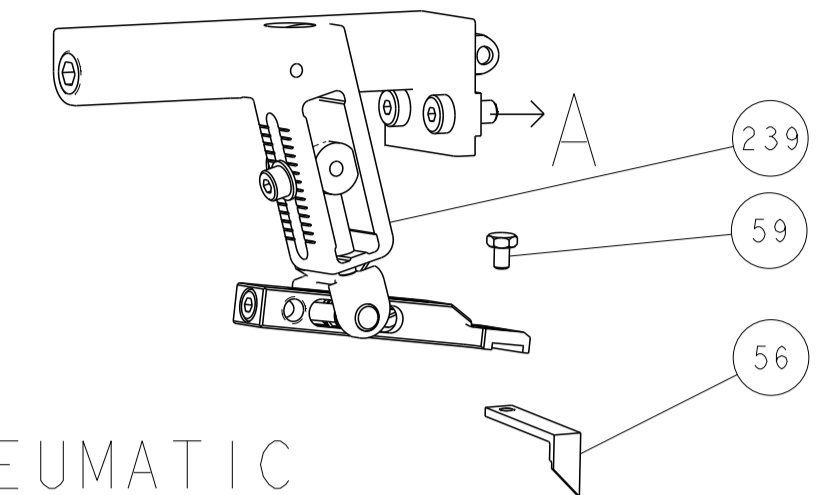
Ocean Side Feed Applicator

SIZE: A1 CAGE CODE: 00779 DRAWING NO: C=2266542

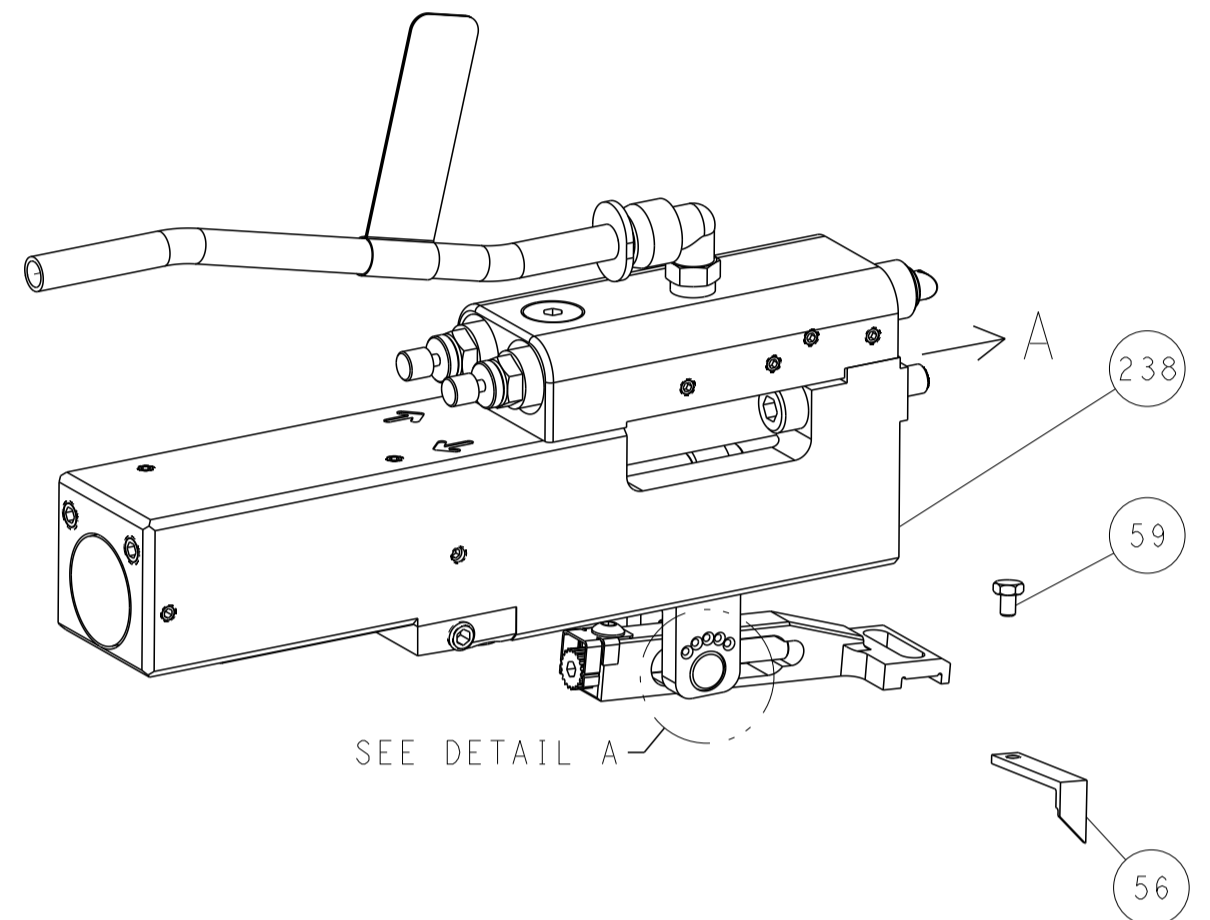
Customer Accessible Production Drawing SHEET 1 OF 4 REV C

| LOC | DIST | REVISIONS |     |             |      |     |      |
|-----|------|-----------|-----|-------------|------|-----|------|
| A   | 66   | P         | LTN | DESCRIPTION | DATE | DMN | APVD |
|     |      | -         |     | SEE SHEET 1 | -    | -   | -    |

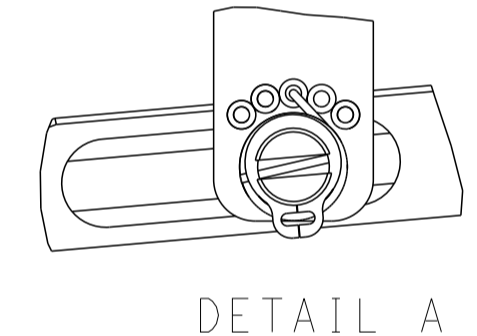
# FEED TYPE MECHANICAL



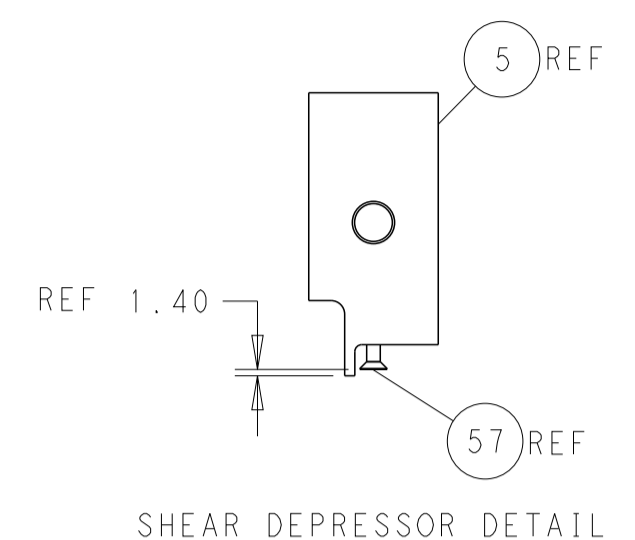
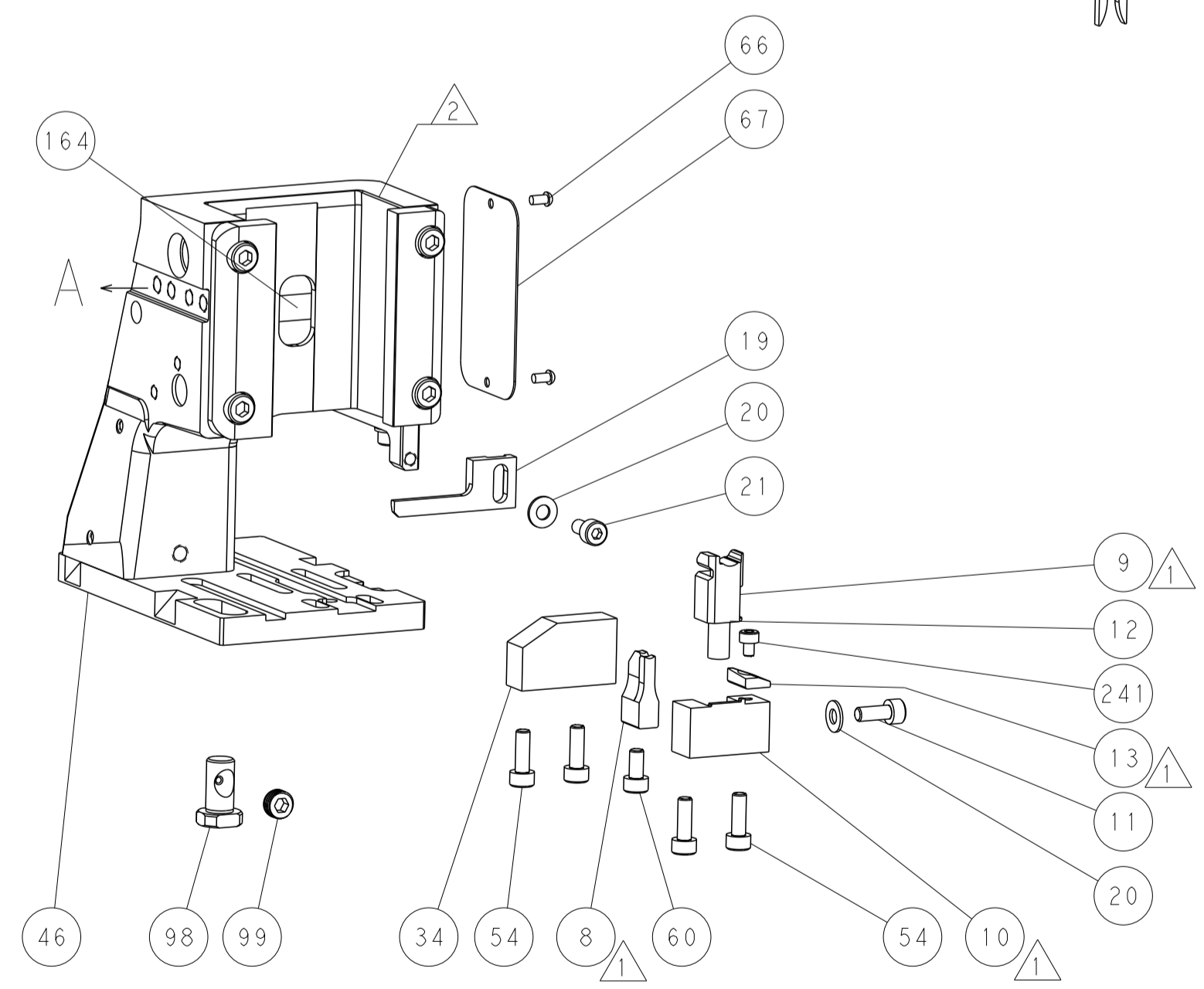
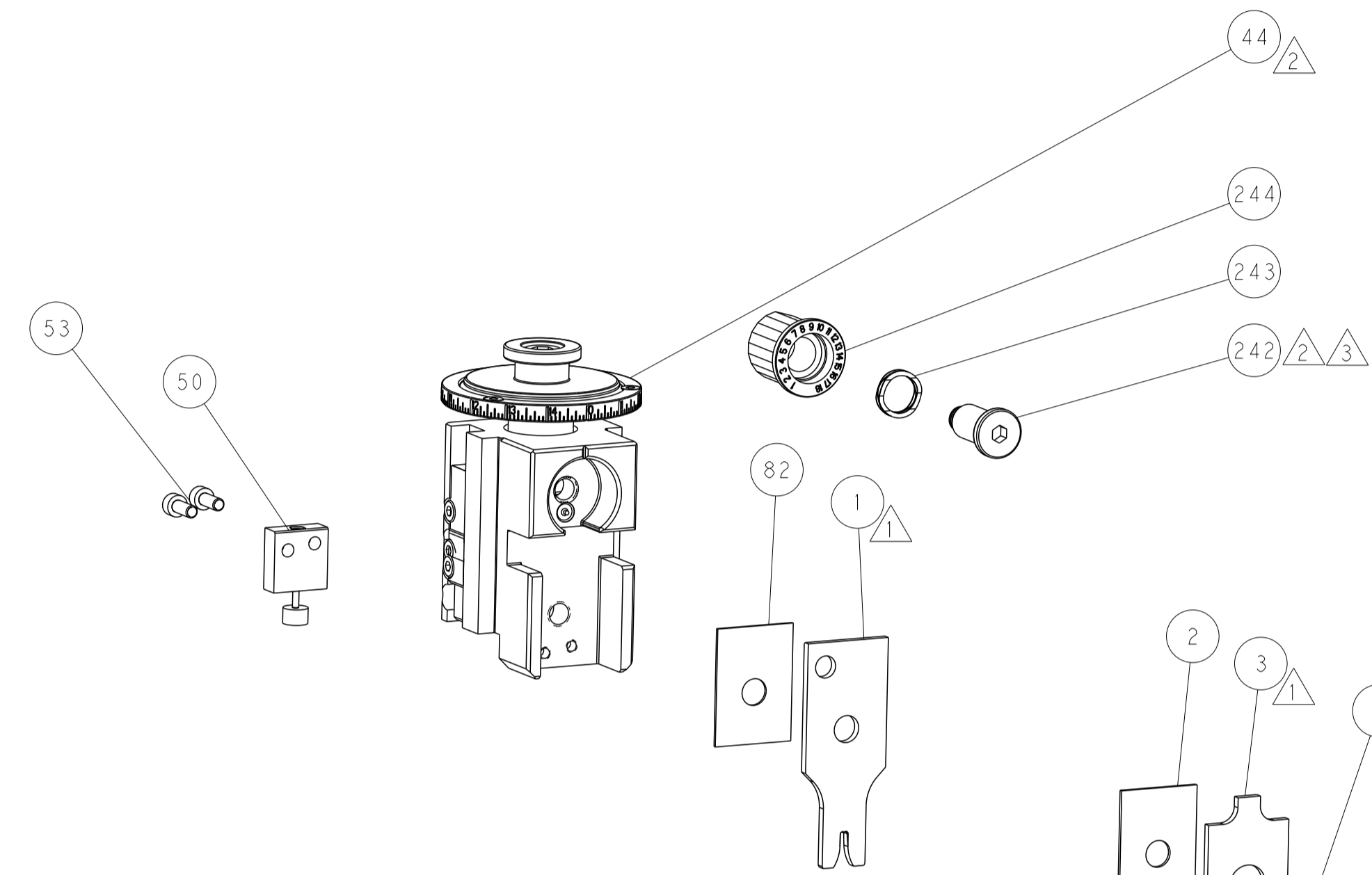
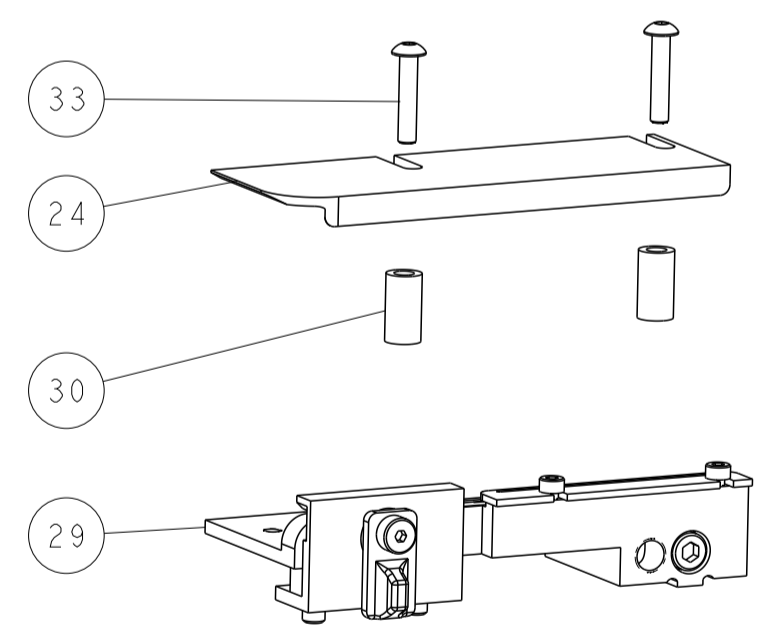
## PNEUMATIC



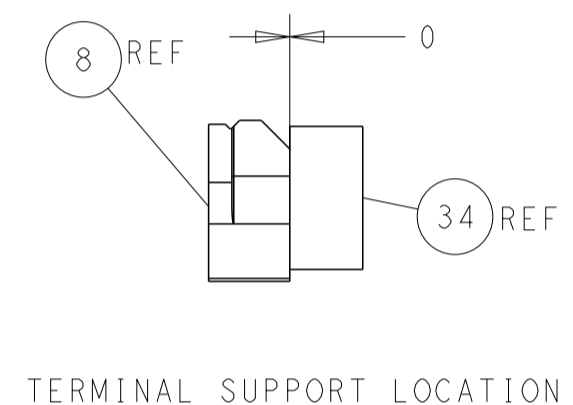
## FEED SPRING SETTING POSITION (SHOWN FROM REAR SIDE)



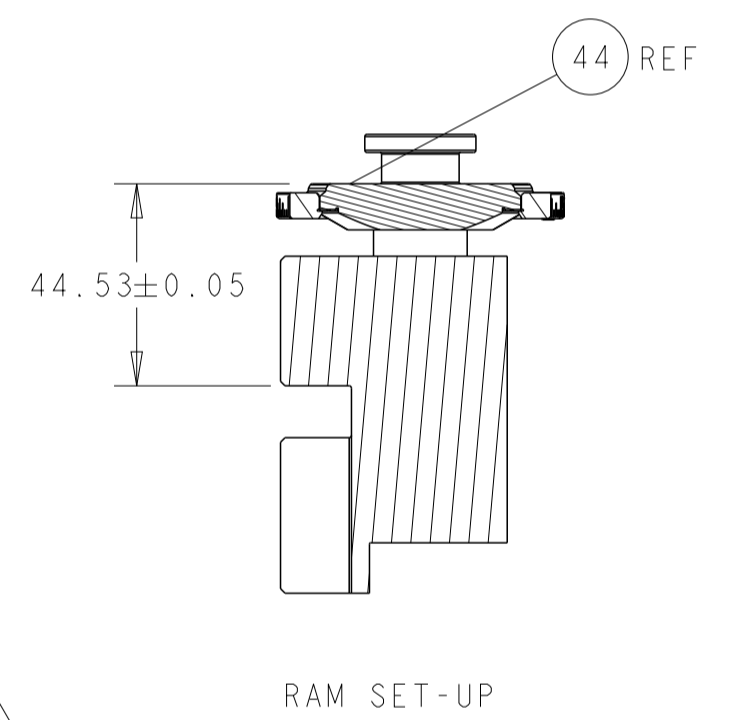
DETAIL A



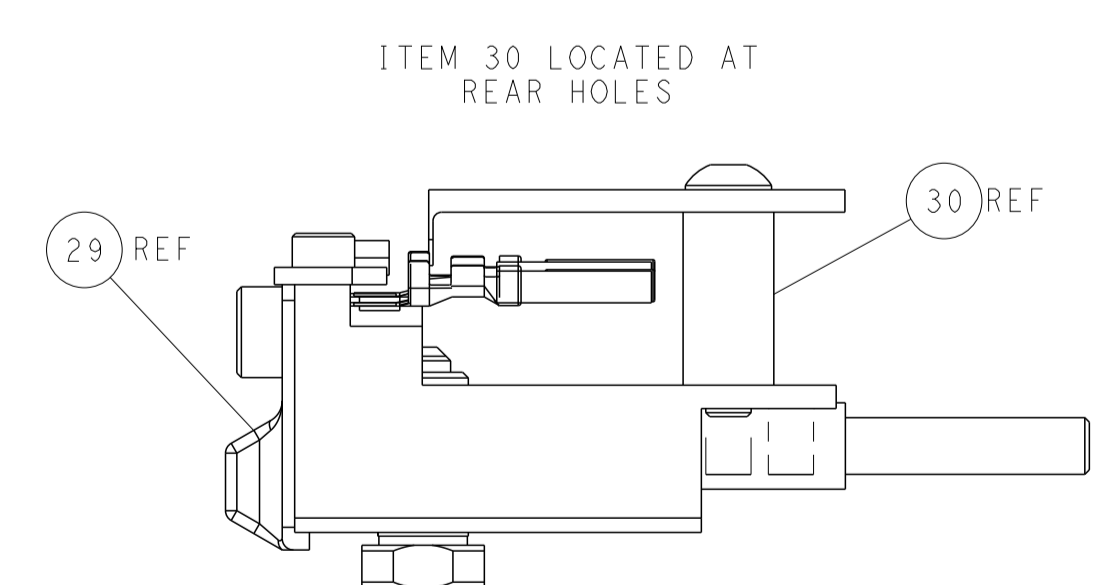
SHEAR DEPRESSOR DETAIL



TERMINAL SUPPORT LOCATION

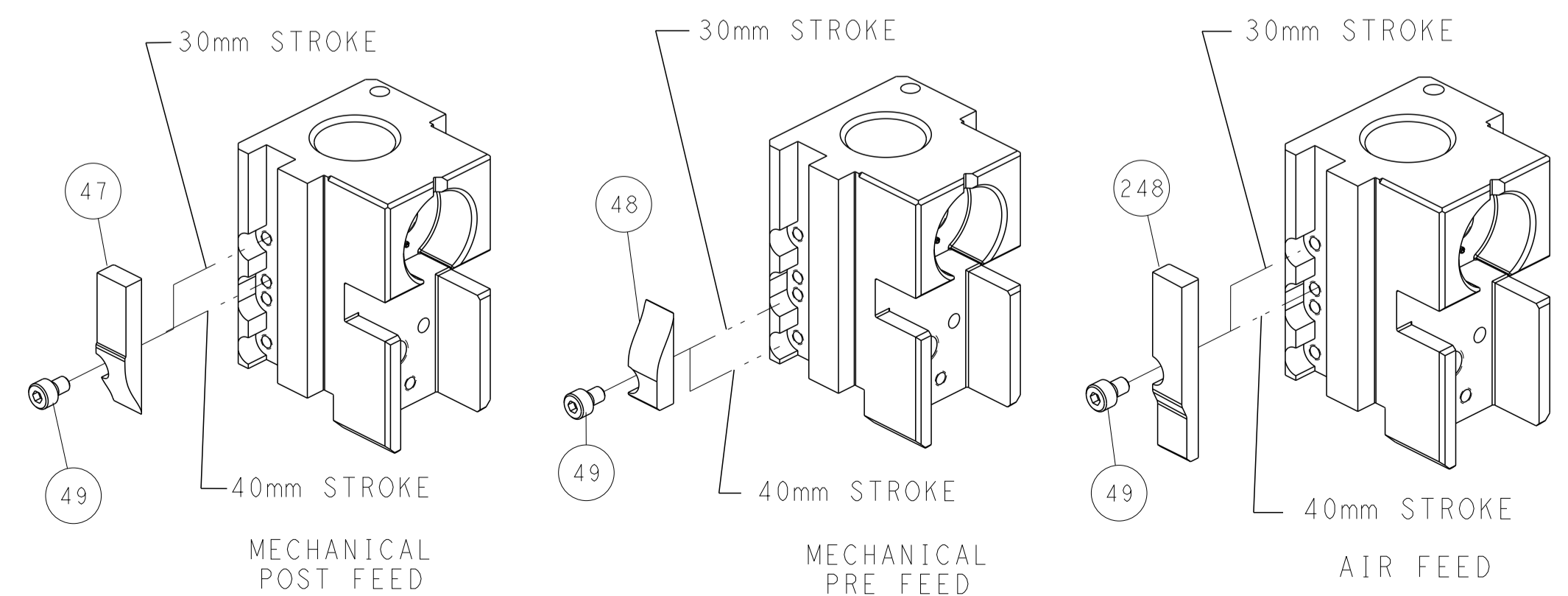


RAM SET-UP



FEED TRACK POSITION GUIDE BY INSULATION BARREL

# CAM POSITIONS



**ATLANTIC VERSION**  
 Shown on sheets 1 of 4 & 2 of 4  
 (Pacific version shown on sheets 3 of 4 & 4 of 4)

|  |  |   |  |   |  |  |  |
|--|--|---|--|---|--|--|--|
| DIMENSIONS:<br>mm<br>                  |  | TOLERANCES UNLESS OTHERWISE SPECIFIED:<br>0 PLC ±<br>1 PLC ±<br>2 PLC ±<br>3 PLC ±<br>4 PLC ±<br>ANGLES ±<br>FINISH |  | DWG: Y. YIN 05NOV2014<br>CHK: G. BAILEY 05NOV2014<br>APVD: J. GUO 05NOV2014<br>NAME: Ocean Side Feed Applicator<br>SIZE: A1<br>CAGE CODE: 00779<br>DRAWING NO: 2266542<br>SCALE: 1:2<br>SHEET: 2 of 4<br>REV: C |  | TE Connectivity<br>Harrisburg, PA 17105-3608 |  |
| MATERIAL:                              |  |   |  | WEIGHT:   |  | RESTRICTED TO:                               |  |
| CUSTOMER ACCESSIBLE PRODUCTION DRAWING |  |   |  | SCALE: 1:2  |  | SHEET: 2 of 4                                |  |

| PART NUMBER | REVISION | DESCRIPTION              | FEED TYPE  |
|-------------|----------|--------------------------|------------|
| 2-2266542-1 | C        | FINE CRIMP HEIGHT ADJUST | MECHANICAL |
| 2-2266542-2 | C        | FINE CRIMP HEIGHT ADJUST | PNEUMATIC  |
| 7-2266542-7 | A        | CRIMP TOOLING KIT        | -          |

PACIFIC VERSION TERMINATOR  
INTERFACE ADAPTER



| APPLICATOR DATA |                |      |
|-----------------|----------------|------|
| CRIMP           | SIZE           | TYPE |
| WIRE            | 2.41 mm [.095] | F    |
| INSUL           | 3.56 mm [1.40] | O    |

APPLICATOR INSTRUCTIONS  
408-35042

| TERMINAL DATA: ITT TERMINAL                            |                           | ITT CRIMP SPECIFICATION |             |
|--|---------------------------|-------------------------|-------------|
| TERMINAL NAME: TERMINAL                                |                           |                         |             |
| WIRE STRIP LENGTH                                      | INSULATION DIAMETER RANGE |                         |             |
| 3.92-4.68 mm [1.54-.184 IN]                            | ∅ 1.6-1.8                 |                         |             |
| TERMINAL APPLICATION SPECIFICATION: K121668-0222 Rev E |                           |                         |             |
| TERMINALS APPLIED                                      |                           |                         |             |
| TE TERMINAL  | ITT TERMINAL              | TE SEAL                 | ITT SEAL    |
| 2113606-1  | 121668-0222               | 2113388-1               | 121667-0023 |
| 2113606-2  | 121668-0202               | 2113388-2               | 121667-0022 |
| 2113606-3  | 121668-0272               | 2113388-3               | 121667-0024 |
| 2113606-4  | 121668-0121               | 963530-1                |             |
| 2113606-5  | 121668-0268               |                         |             |

| WIRE SIZE           | CRIMP HEIGHT mm [INCH]         | CRIMP HEIGHT REFERENCE SETTING |
|---------------------|--------------------------------|--------------------------------|
| 1.50mm <sup>2</sup> | 1.30 +/- 0.03 [1.051 +/- .001] | 5.8                            |
| 1.00mm <sup>2</sup> | 1.27 +/- 0.03 [1.050 +/- .001] | 6.4                            |
| 0.75mm <sup>2</sup> | 1.25 +/- 0.03 [1.049 +/- .001] | 6.5                            |

- 1 RECOMMENDED SPARE PARTS
- 2 REFER TO SUPPLIED INSTRUCTION SHEET FOR CLEANING, LUBRICATION AND STORAGE OF APPLICATOR.
- 3 APPLY PART NUMBER 2-23419-6 LOCTITE TO THREADS OF ITEM 242.
- 4 CRIMP HEIGHT REFERENCE SETTING WAS THE SETTING USED WHEN THE APPLICATOR WAS QUALIFIED AT THE FACTORY. ADJUSTMENT MAY BE NECESSARY WHEN RUNNING APPLICATOR IN THE FIELD.
- 5 UNLESS SPECIFIED OTHERWISE TORQUE VALUES SHALL BE USED PER DOCUMENT, 101-35000.
- 6 THIS APPLICATOR APPLIES TERMINAL WITH A SEAL.
- 7 APPLY TORO-SEAL IN ALLEN SOCKET TO FILL NOLE AFTER FLAT HD HAS BEEN ADJUSTED TO CORRECT HEIGHT AT QUALIFICATION. APPLY #1-23419-5 LOC-TITE TO THREADS.

**\*WARNING**  
ON INSTALLATION, SET WIRE DISC TO CRIMP HEIGHT REFERENCE SETTING FOR LARGEST WIRE SIZE. CRIMP HEIGHT REFERENCE SETTINGS GREATER THAN THE VALUE SHOWN MAY CAUSE DAMAGE TO THE CRIMP TOOLING. REFER TO THE INSTRUCTION SHEET FOR PROPER SETUP AND ADJUSTMENTS.

| LOC | DIST | REVISIONS   |      |     |      |
|-----|------|-------------|------|-----|------|
| P   | LTN  | DESCRIPTION | DATE | OWN | APVD |
| A   | 66   | SEE SHEET 1 | -    | -   | -    |

|   |     |     |             |                                     |     |
|---|-----|-----|-------------|-------------------------------------|-----|
| - | 1   | 1   | 2119082-4   | CAM, SNAIL, INSULATION ADJUSTMENT   | 244 |
| - | 1   | 1   | 2079764-1   | WASHER, WAVE SPRING, CREST-TO-CREST | 243 |
| - | 1   | 1   | 2119083-1   | RETAINER, INSULATION DIAL           | 242 |
| - | 1   | 1   | 7-18023-7   | SCR, SKT HD CAP M3 X 4.0            | 241 |
| - | -   | 1   | 2119580-1   | MECHANICAL FEED ASSEMBLY            | 239 |
| - | 1   | -   | 2844940-1   | AIR FEED MODULE                     | 238 |
| - | REF | REF | 994970-2    | COUNTER, MAGNETIC                   | 164 |
| - | 1   | -   | 2119641-2   | FEED CAM, AIR FEED                  | 151 |
| - | 1   | 1   | 2168083-8   | SCR, SKT HD CAP, RoHS, M4 X 16      | 144 |
| - | 4   | 4   | 2168083-9   | SCR, SKT HD CAP, RoHS, M4 X 20      | 143 |
| - | -   | 1   | 2119653-2   | FEED CAM, POST FEED                 | 142 |
| - | 1   | 1   | 1-1803583-0 | APPLICATOR BASIC ASSEMBLY, SF       | 141 |
| - | 1   | 1   | 1803516-1   | RAM ASSEMBLY, SF PACIFIC            | 140 |
| - | 1   | 1   | 2844908-1   | SCREW, LOCKING                      | 99  |
| - | 1   | 1   | 2844907-1   | POST, LOCKING                       | 98  |
| - | 1   | 1   | 455888-7    | SPACER, CRIMPER                     | 82  |
| - | 1   | 1   | 1803607-3   | DOCUMENTATION PACKAGE               | 71  |
| - | 1   | 1   | 2119740-1   | TAG, IDENTIFICATION                 | 67  |
| - | 2   | 2   | 2168078-1   | SCREW, DRIVE, RH, RoHS, 2 x .188    | 66  |
| - | 1   | 1   | 5-18022-5   | SCR, HEX HD CAP, M4 X 6.0           | 59  |
| - | 1   | 1   | 985575-3    | SCR, FLT SKT HD CAP M3 X 10.0       | 57  |
| - | 1   | 1   | 1338683-8   | FEED PAWL                           | 56  |
| - | 2   | 2   | 1-2168083-0 | SCR, SKT HD CAP, RoHS, M4 X 10      | 53  |
| - | 1   | 1   | 1803382-6   | HOLD DOWN, SPRING LOADED            | 50  |
| - | 1   | 2   | 18023-9     | SCR, SKT HD CAP M4 X 6.0            | 49  |
| - | -   | 1   | 2119652-1   | FEED CAM, PRE FEED                  | 48  |
| - | 1   | 1   | 1803602-1   | SCR, BHSC, RoHS (M8 X 25)           | 41  |
| - | 1   | 1   | 3-1752356-3 | SUPPORT, TERMINAL                   | 34  |
| - | 2   | 2   | 2079383-5   | SCR, BHSC, RoHS (M4 X 20)           | 33  |
| - | 2   | 2   | 3-2844962-0 | SPACER, CYLINDRICAL, STRIP GUIDE    | 30  |
| - | 1   | 1   | 2844992-1   | ASSEMBLY, STRIP GUIDE               | 29  |
| - | 1   | 1   | 455888-3    | SPACER, CRIMPER                     | 28  |
| - | 1   | 1   | 1320928-6   | STRIP GUIDE                         | 24  |
| - | 1   | 1   | 2168083-2   | SCR, SKT HD CAP, RoHS, M4 X 8.0     | 21  |
| - | 2   | 2   | 1-18028-2   | WASHER, FLAT, REG M4                | 20  |
| - | 1   | 1   | 2119533-1   | STRIPPER, SIDE FEED                 | 19  |
| - | 1   | 1   | 2119806-1   | INSERT, SHEAR                       | 13  |
| - | 1   | 1   | 3-22280-3   | SPRING, COMPRESSION                 | 12  |
| - | 1   | 1   | 1-2168083-0 | SCR, SKT HD CAP, RoHS, M4 X 10      | 11  |
| - | 1   | 1   | 2119805-1   | SHEAR HOLDER, FRONT                 | 10  |
| - | 1   | 1   | 318707-1    | FLOATING SHEAR, FRONT               | 9   |
| - | 1   | 1   | 3-1803056-0 | ANVIL, COMBINATION                  | 8   |
| - | -   | -   | -           | -                                   | 7   |
| - | -   | -   | -           | -                                   | 6   |
| - | 1   | 1   | 2119781-1   | DEPRESSOR, SHEAR                    | 5   |
| - | 1   | 1   | 238011-4    | BLOCK, CRIMPER SPACER               | 4   |
| - | 1   | 1   | 1803018-8   | CRIMPER, INSULATION O               | 3   |
| - | 1   | 1   | 455888-9    | SPACER, CRIMPER                     | 2   |
| - | 1   | 1   | 1803188-7   | CRIMPER, WIRE                       | 1   |

PACIFIC VERSION  
Shown on sheets 3 of 4 & 4 of 4  
(Atlantic version shown on sheets 1 of 4 & 2 of 4)

| DIMENSIONS: |         | TOLERANCES UNLESS OTHERWISE SPECIFIED: |         | MATERIAL: |         | FINISH:  |          |
|-------------|---------|--|---------|-----------|---------|----------|----------|
| mm          | 0 PLC ± | 1 PLC ±                                | 2 PLC ± | 3 PLC ±   | 4 PLC ± | ANGLES ± | FINISH ± |

| ITEM NO | PART NO | DESCRIPTION |
|---------|---------|-------------|
| -77     | -22     | -21         |

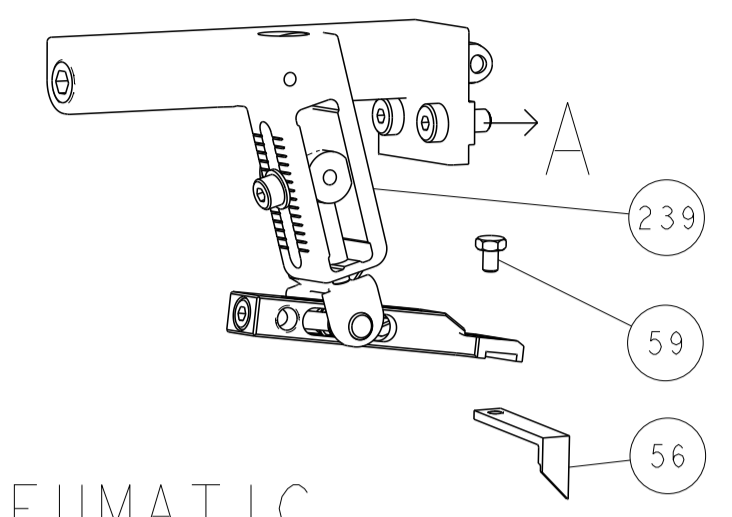
|      |           |           |
|------|-----------|-----------|
| CHK  | Y. YIN    | 05NOV2014 |
| CHK  | G. BAILEY | 05NOV2014 |
| APVD | J. GUO    | 05NOV2014 |

|      |                            |            |               |
|------|----------------------------|------------|---------------|
| NAME | Ocean Side Feed Applicator |            |               |
| SIZE | CAGE CODE                  | DRAWING NO | RESTRICTED TO |
| A1   | 00779                      | 2266542    | -             |

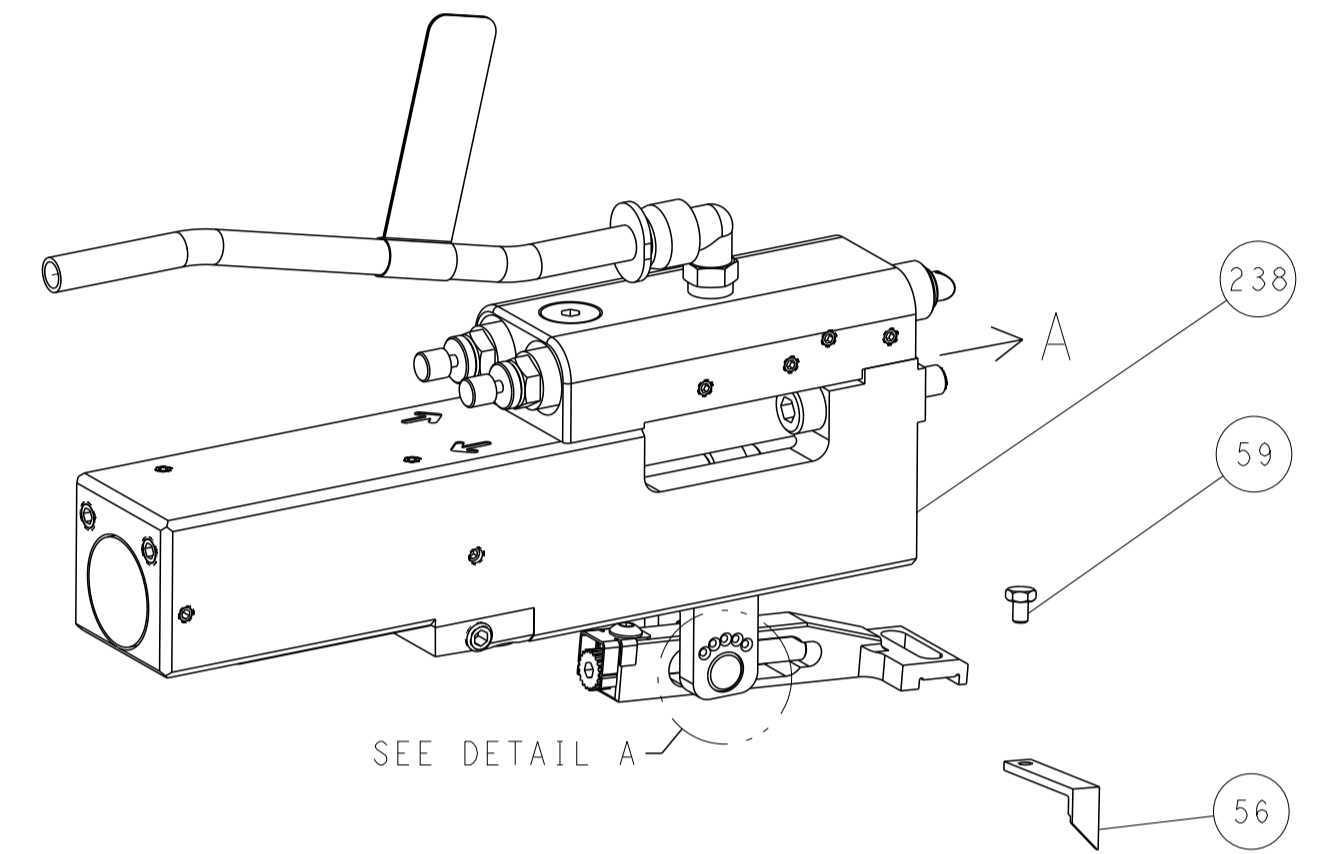
Customer Accessible Production Drawing SCALE 1:2 SHEET 3 OF 4 REV C

| LOC | DIST | REVISIONS |     |             |      |     |      |
|-----|------|-----------|-----|-------------|------|-----|------|
| A   | 66   | P         | LYN | DESCRIPTION | DATE | OWN | APVD |
|     |      | -         | -   | SEE SHEET 1 | -    | -   | -    |

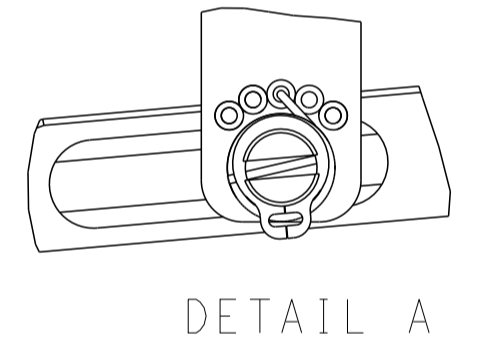
# FEED TYPE MECHANICAL



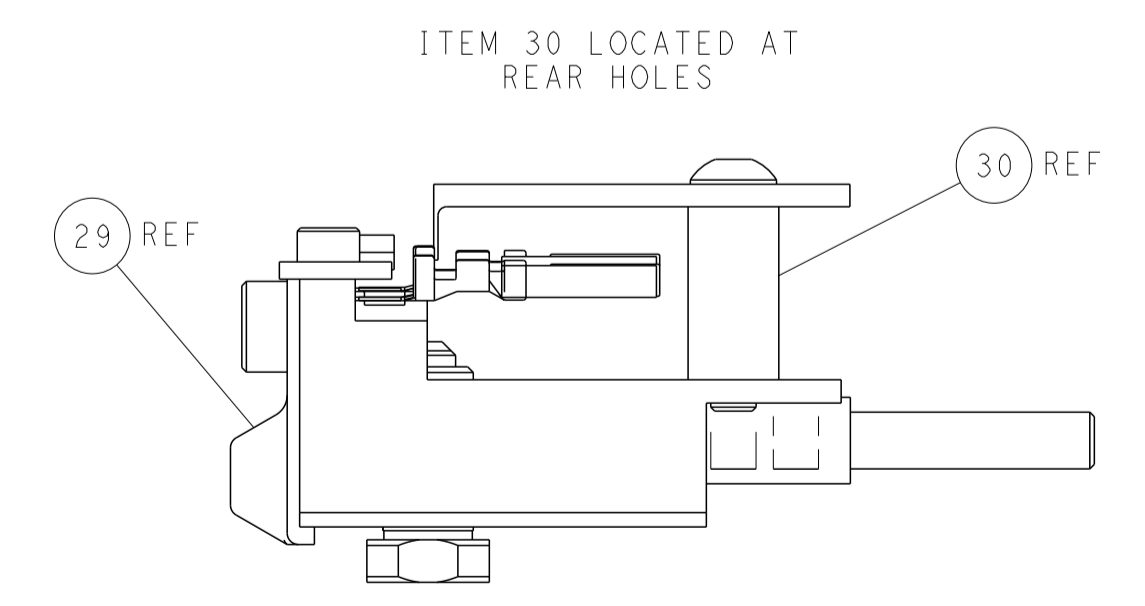
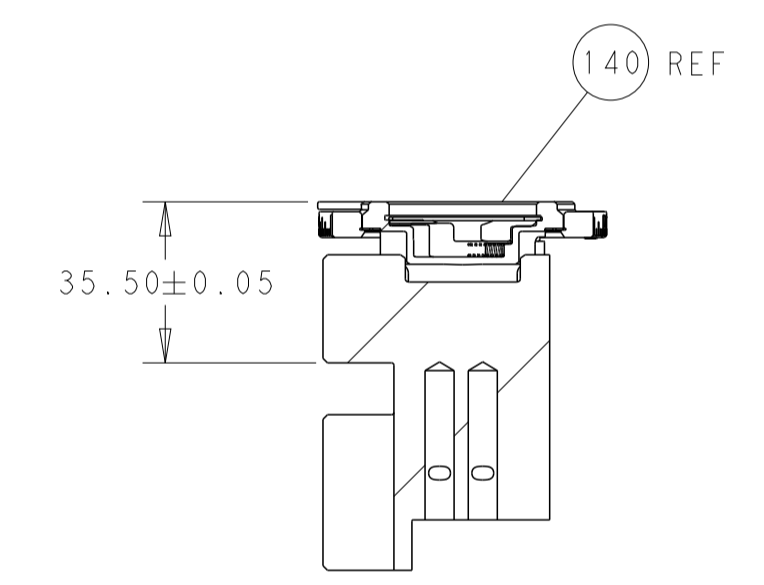
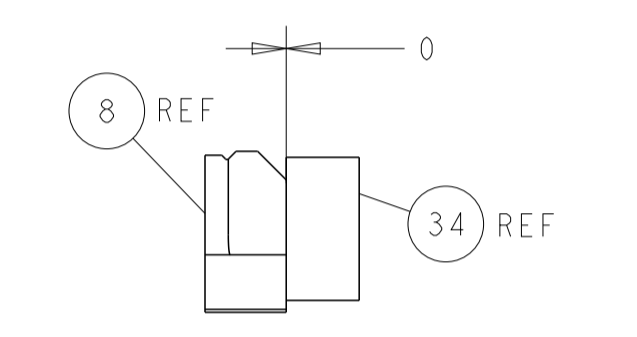
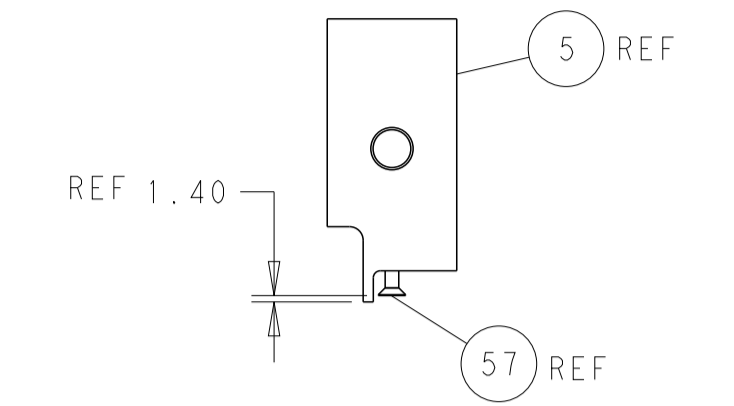
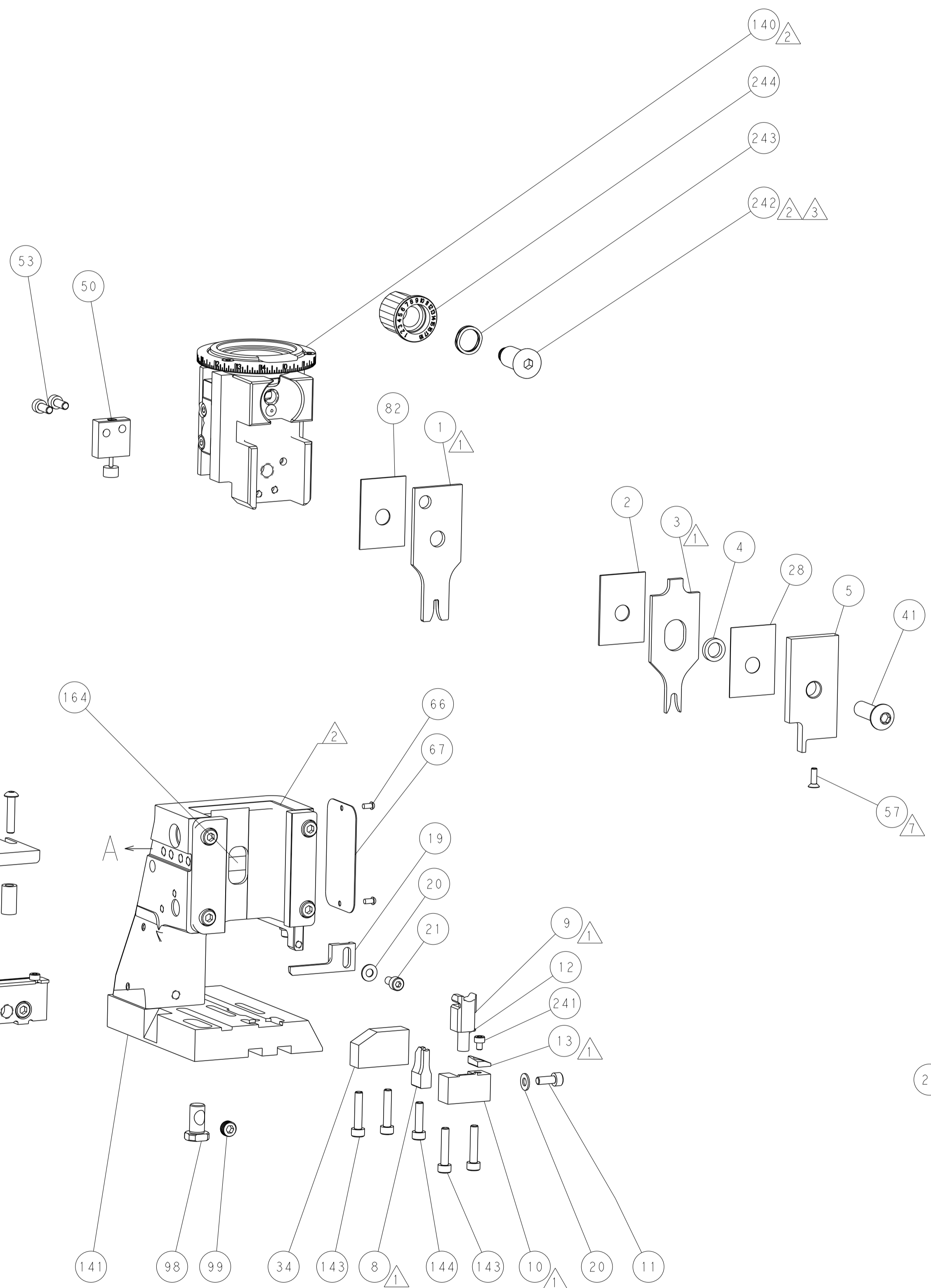
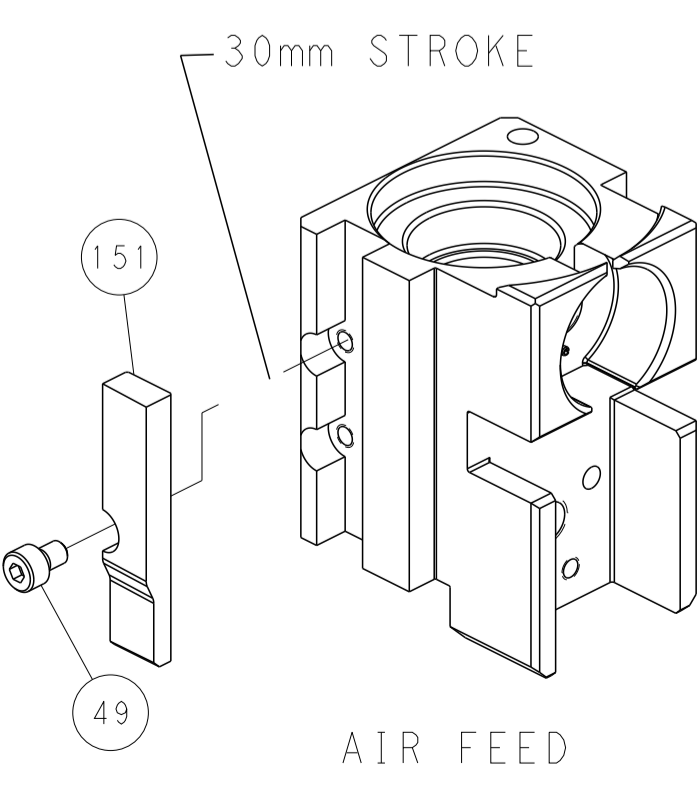
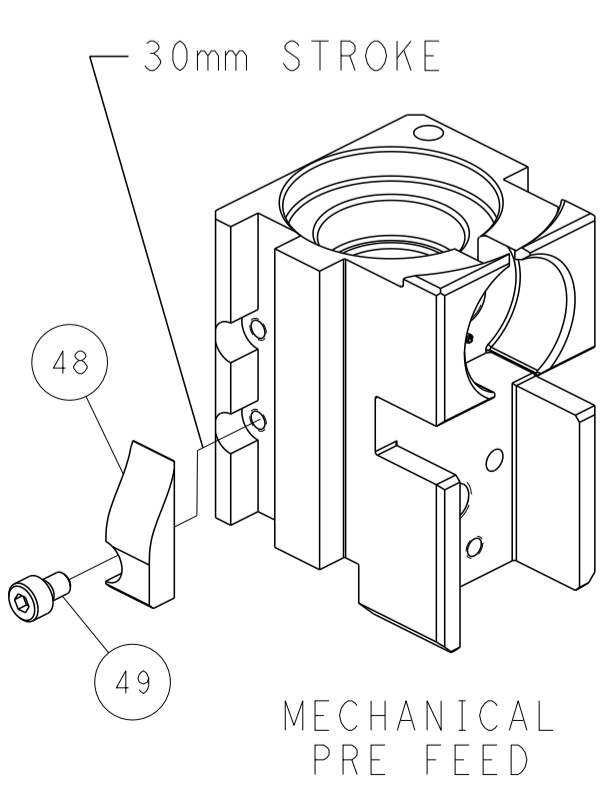
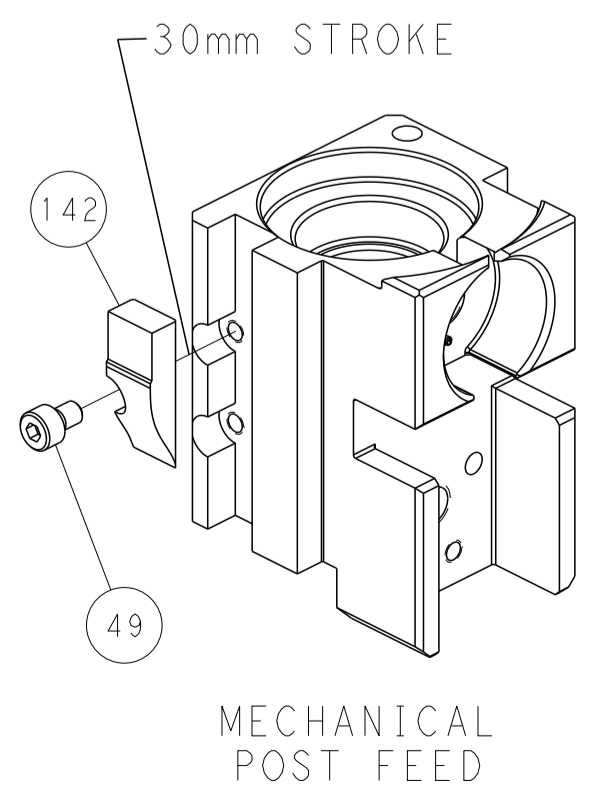
## PNEUMATIC



### FEED SPRING SETTING POSITION (SHOWN FROM REAR SIDE)



# CAM POSITIONS



**PACIFIC VERSION**  
 Shown on sheets 3 of 4 & 4 of 4  
 (Atlantic version shown on sheets 1 of 4 & 2 of 4)

|             |         |  |         |  |         |                              |  |
|-------------|---------|--|---------|--|---------|------------------------------|--|
| DIMENSIONS: |         | TOLERANCES UNLESS OTHERWISE SPECIFIED: |         | DWG Y. YIN 05NOV2014                   |         | TE Connectivity              |  |
| mm          | 0 PLC ± | 1 PLC ±                                | 2 PLC ± | 3 PLC ±                                | 4 PLC ± | Harrisburg, PA 17105-3608    |  |
| MATERIAL:   |         | FINISH:                                |         | CHK G. BAILEY 05NOV2014                |         | NAME                         |  |
|             |         |  |         | APVD H. GUO 05NOV2014                  |         | Ocean Side Feed Applicator   |  |
|             |         |  |         | PRODUCT SPEC                           |         | SIZE CAGE CODE DRAWING NO    |  |
|             |         |  |         | APPLICATION SPEC                       |         | A1 00779 C=2266542           |  |
|             |         |  |         | WEIGHT                                 |         | RESTRICTED TO                |  |
|             |         |  |         | Customer Accessible Production Drawing |         | SCALE 1:2 SHEET 4 OF 4 REV C |  |