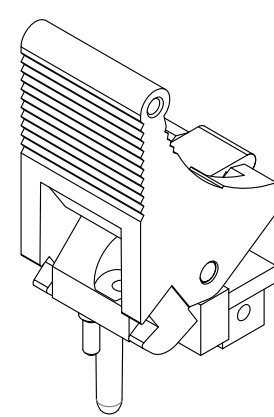
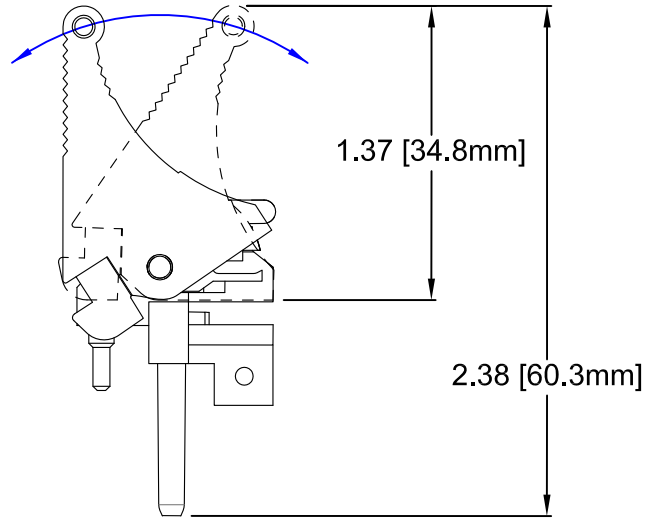
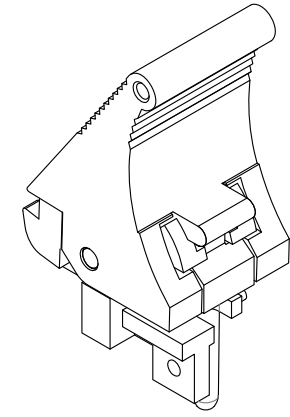


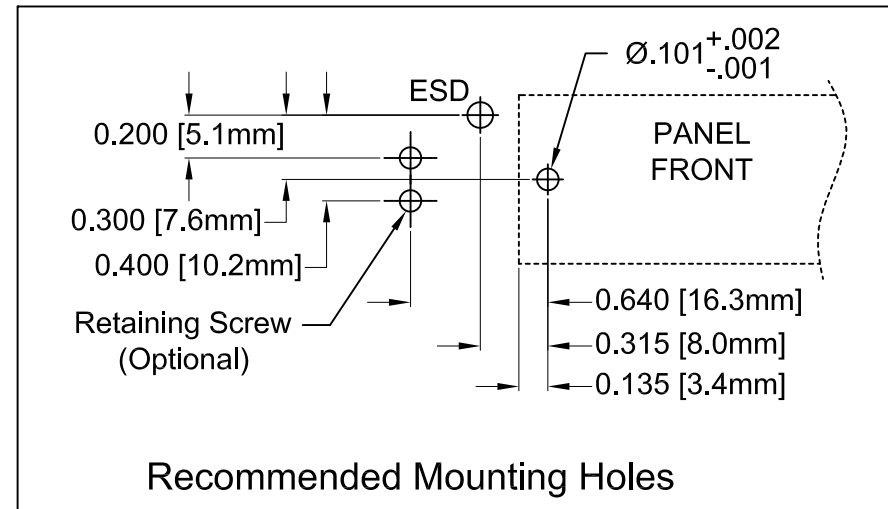
REV.	DESCRIPTION	DATE	APPROVED
A	Engineering Release.	06/26/14	J. C.



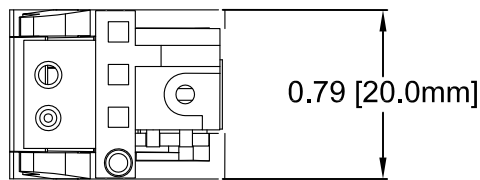
3D VIEW OPEN



3D VIEW LOCKED




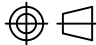
Recommended Mounting Holes



0.97 [24.7mm]

NOTES:

1. Compliant with PICMG CPCI standard
2. Mounting screws shipped unassembled

STANDARD TOLERANCE (UNLESS OTHERWISE SPECIFIED)		 4 THOMAS, IRVINE, CA. 92618 TEL: (949) 951-8808 FAX: (949) 951-3974	
DECIMALS	ANGULAR		
.X ±.1	X° ± 1°		
.XX ±.01		 <b>TITLE: CPCI EJECTOR HANDLE TOP, STYLE E4</b>	
.XXX ±.005			
DESIGNED: <b>Brian Oliver</b>	DATE: <b>06/26/14</b>	<b>PART NO:</b> CPCI-E4-T	REVISION: <b>A</b>
CHECKED: <b>A. Wright</b>	DATE: <b>06/26/14</b>	<b>CAGE CODE : 32559</b>	<b>SHEET # 1 OF 1</b>
CAD GENERATED DOCUMENT, DO NOT MEASURE DRAWING.			